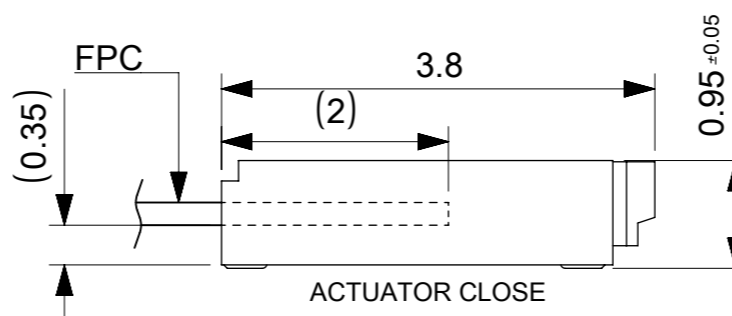
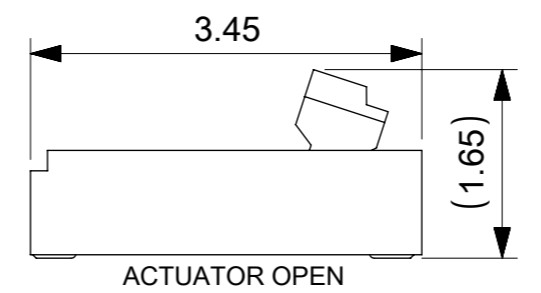
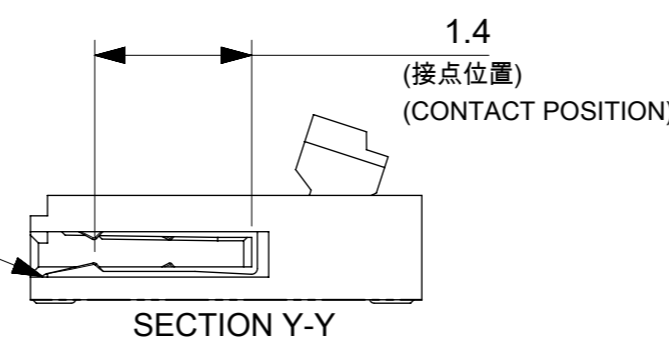
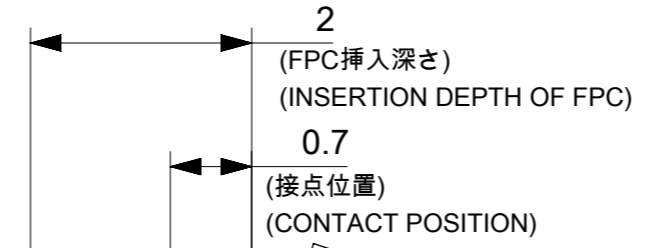


アクチュエータ
ACTUATOR

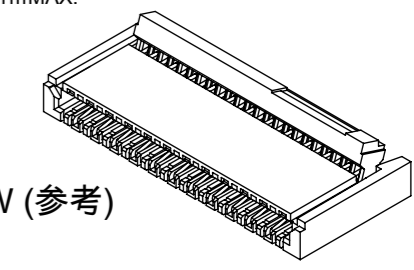
ハウジング
HOUSING

奇数極端子
ODD TERMINAL

偶数極端子
EVEN TERMINAL



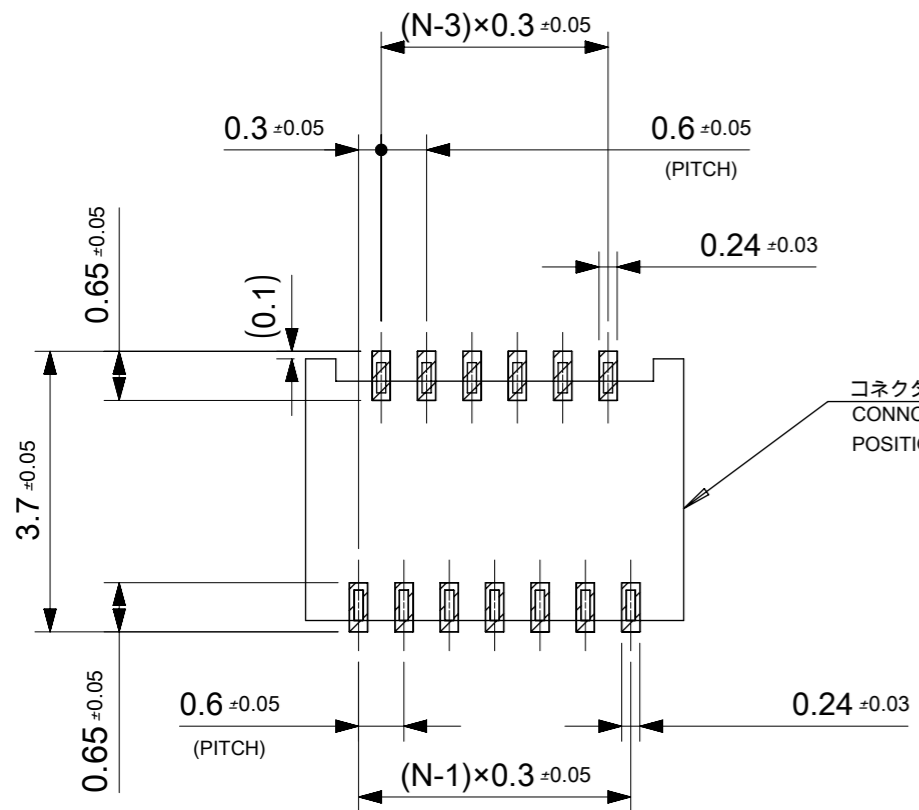
- 注記 NOTES
1. 使用材料 MATERIALS
 ハウジング :液晶ポリマー(LCP)、ガラス充填、UL94 V-0、ナチュラル(白色系)
 アクチュエータ :ポリアミド(PA)、ガラス充填、UL94、HB、黒色
 奇数端子 :リン青銅 t=0.12mm
 偶数端子 :リン青銅 t=0.12mm
 HOUSING :LIQUID CRYSTAL POLYMER(LCP)、GLASS FILLED、UL94、V-0、NATURAL(WHITE)
 ACTUATOR :POLYIMIDE(PA)、GLASS FILLED、UL94、HB、BLACK
 ODD TERMINAL :PHOSPHOR BRONZE t=0.12mm
 EVEN TERMINAL :PHOSPHOR BRONZE t=0.12mm
 2. メッキ仕様 PLATING
 端子 TERMINAL
 テール部 :金メッキ
 接点部 :金メッキ 0.1μm以上
 下地 :ニッケルメッキ 1.0μm以上
 TAIL AREA: Gold PLATING
 CONTACT AREA: Gold PLATING 0.1μm MINIMUM
 UNDER PLATING: Nickel PLATING 1.0μm MINIMUM
 3. 端子の平坦度は0.1mm以下とする
 COPLANALITY OF SOLDER TAILS: 0.1mm MAX.
 4. ELV及びRoHS適合品
 ELV AND RoHS COMPLIANT



18.6	17.4	18.0	19.4	504740-6100	61
15.6	14.4	15.0	16.4	504740-5100	51
13.8	12.6	13.2	14.6	504740-4500	45
12.6	11.4	12.0	13.4	504740-4100	41
12.0	10.8	11.4	12.8	504740-3900	39
11.4	10.2	10.8	12.2	504740-3700	37
10.2	9.0	9.6	11.0	504740-3300	33
7.8	6.6	7.2	8.6	504740-2500	25
7.2	6.0	6.6	8.0	504740-2300	23
6.0	4.8	5.4	6.8	504740-1900	19
3.6	2.4	3.0	4.4	504740-1100	11
D	C	B	A	EMBOSSED TAPE	CIRCUITS
				ORDER NO. オーダー番号	

CONNECTOR SERIES NO. 504740-**09

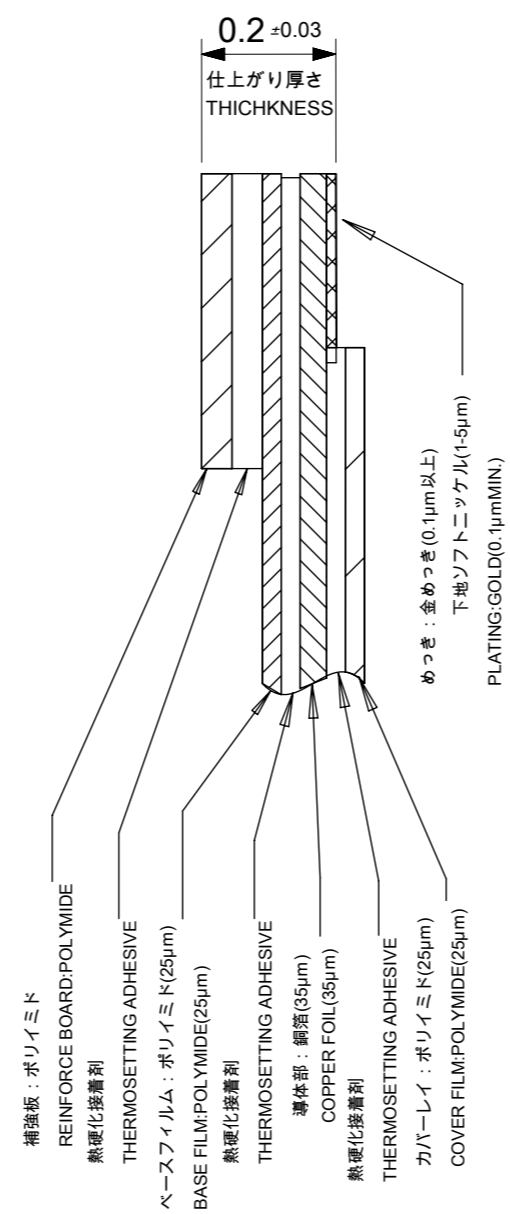
THIS DRAWING CONTAINS INFORMATION THAT IS PROPRIETARY TO MOLEX ELECTRONIC TECHNOLOGIES, LLC AND SHOULD NOT BE USED WITHOUT WRITTEN PERMISSION		CURRENT REV DESC:		molex	
DIMENSION UNITS	SCALE				
mm	10:1			0.3 FPC CONN. BF H=0.95 HOUSING ASSY	
GENERAL TOLERANCES (UNLESS SPECIFIED)				PRODUCT CUSTOMER DRAWING	
ANGULAR TOL	± 1.0°			DOCUMENT NUMBER	
4 PLACES	± 0.03	EC NO: 646888	2020/10/08	5047401000	
3 PLACES	± 0.03	DRWN: TNAKAGAWA01	2020/10/14	DOC TYPE	DOC PART
2 PLACES	± 0.05	CHK'D: YMATSUMOTO	2020/10/14	PSD	000
1 PLACE	± 0.1	APPR: SHOSHIKAWA	2020/10/14	C	
0 PLACES	± 0.2	INITIAL REVISION:			
DRAFT WHERE APPLICABLE MUST REMAIN WITHIN DIMENSIONS		DRWN: SHIRATA	2015/03/03		
THIRD ANGLE PROJECTION		APPR: KMORIKAWA	2016/08/02		
DRAWING		SERIES	MATERIAL NUMBER	CUSTOMER	
A3-SIZE		504740		GENERAL	
SHEET NUMBER		1 OF 2			



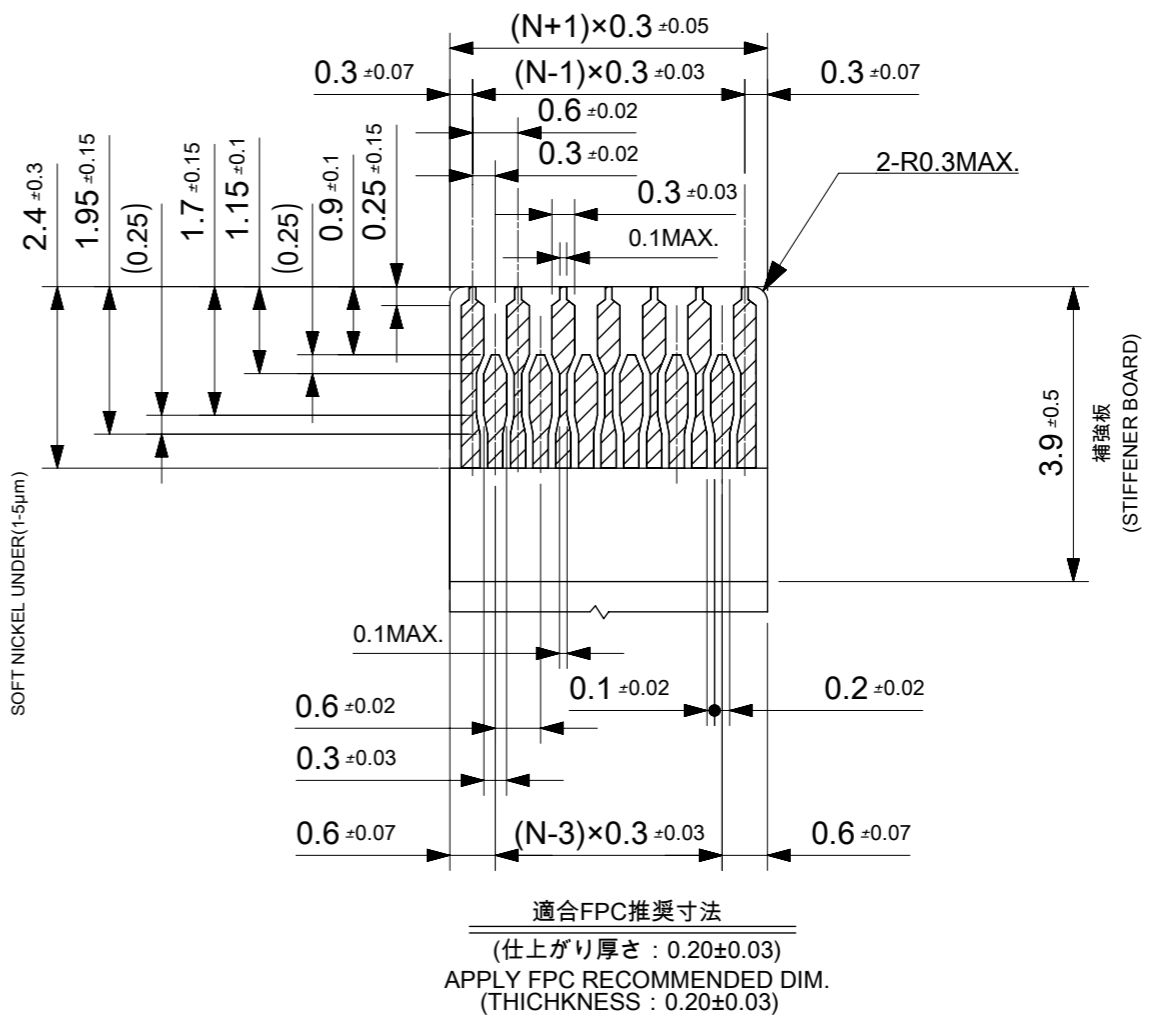
参照基板レイアウト(マウント面)
P.W. BOARD PATTERN
DIM.(REF)

推奨メタルマスク厚さ : 0.1mm
RECOMMENDED METAL MASK THICKNESS : 0.1mm

推奨開口率 : 80%
APERTURE RATE : 80%



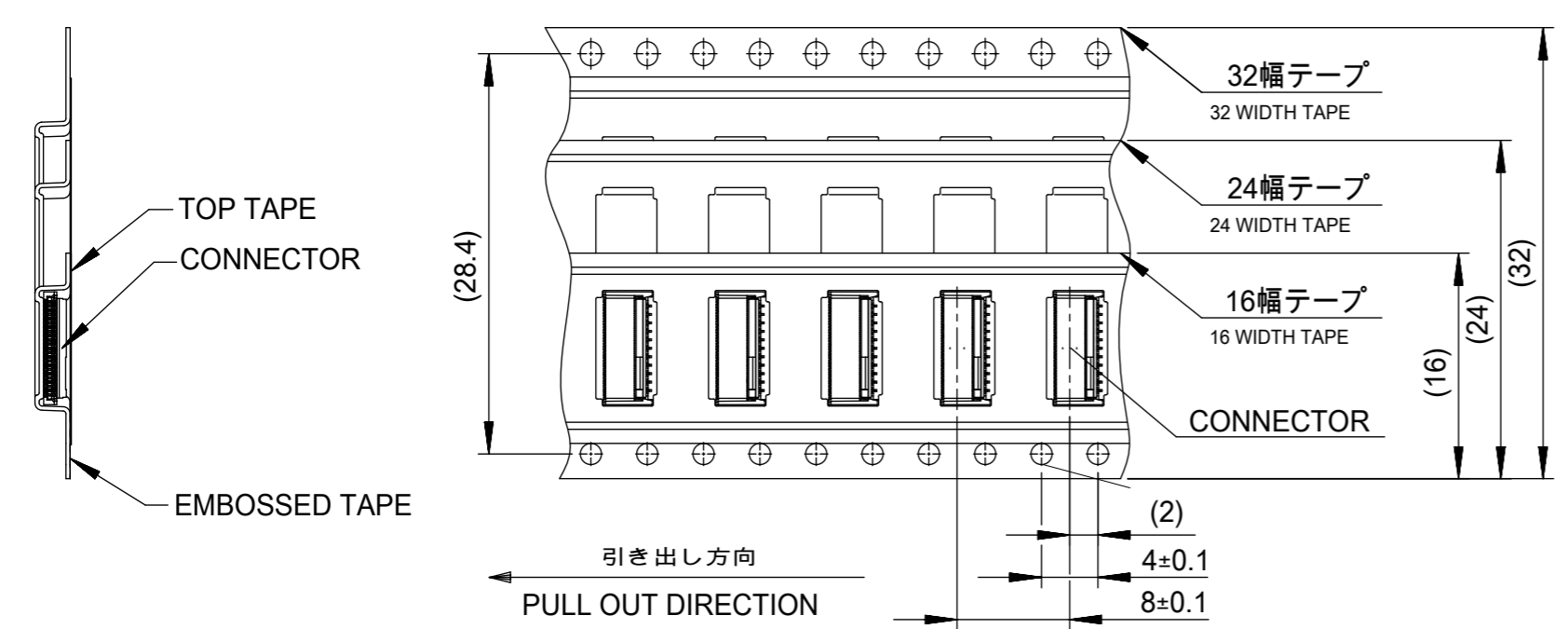
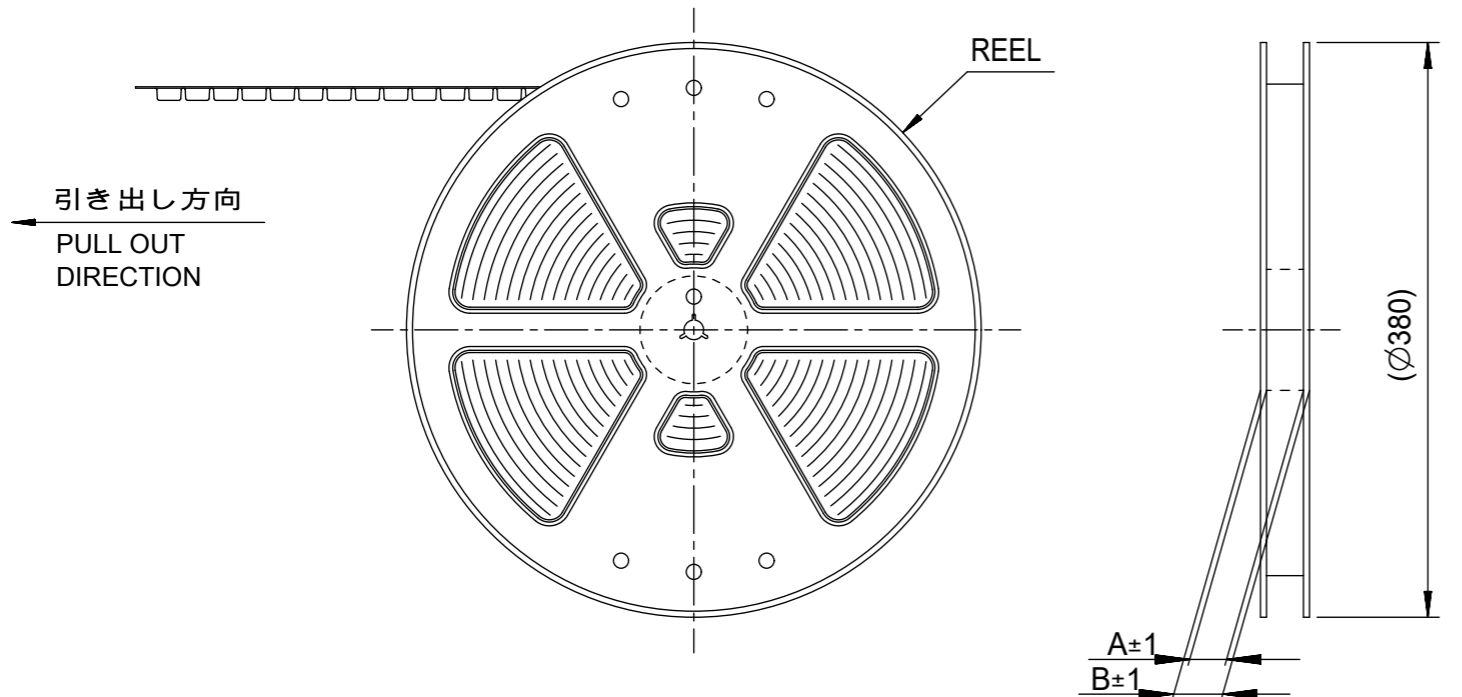
FPC構成推奨仕様
STRUCTURE OF FPC



FPCについて (ABOUT FPC)
抜き方向は、導体側から補強版側を推奨致します。
補強板材質はポリイミド、接着剤は熱硬化接着剤を推奨します。
尚、接着剤の接点部への付着は導通不良の原因になりますので、染み出しが無い様、お願い致します。
RECOMMENDED PUNCHER DIRECTION:
FROM CONDUCTOR SIDE TO STIFFENER BOARD SIDE.
RECOMMENDED MATERIAL:
STIFFENER BOARD: POLYIMIDE
BONDING AGENT: THERMOSETTING AGENT
PLEASE PUT APPROPRIATE AMOUNT OF ADHESIVE ON ADHEREND
BECAUSE THERE IS A POSSIBILITY THAT
THE EXTRA ADHESIVE CAUSES THE DEFECT IN ELECTRICAL CONTINUITY.

※1 補強板の長さが図面通りに確保できない場合は、カバーレイと補強板のオーバーラップ寸法を0.5mm以上としてください。
WHEN STIFFNER BOARD DIMENSION CAN NOT SECURE AS DRAWING, PLEASE GIVE THE OVERLAP SIZE OF COVER FILM AND STIFFNER BOARD AS 0.5mm MINIMUM.

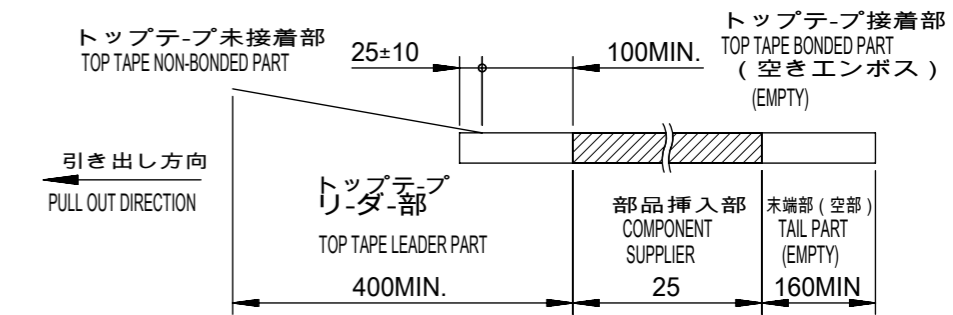
THIS DRAWING CONTAINS INFORMATION THAT IS PROPRIETARY TO MOLEX ELECTRONIC TECHNOLOGIES, LLC AND SHOULD NOT BE USED WITHOUT WRITTEN PERMISSION									
DIMENSION UNITS mm		SCALE 1:1		CURRENT REV DESC:					
GENERAL TOLERANCES (UNLESS SPECIFIED)				<div style="text-align: right; font-size: 2em; font-weight: bold;">molex</div> <p>0.3 FPC CONN. BF H=0.95 HOUSING ASSY</p>					
ANGULAR TOL ± 1.0°									
4 PLACES ± 0.03		EC NO: 646888		DRWN: TNAKAGAWA01		2020/10/08		PRODUCT CUSTOMER DRAWING	
3 PLACES ± 0.03		CHK'D: YMATSUMOTO		APPR: SHOSHIKAWA		2020/10/14			
2 PLACES ± 0.05		INITIAL REVISION:		DRWN: SHIRATA		2015/03/03		DOCUMENT NUMBER	
1 PLACE ± 0.1		DRWN: SHIRATA		APPR: KMORIKAWA		2016/08/02		5047401000	
0 PLACES ± 0.2		DRAFT WHERE APPLICABLE MUST REMAIN WITHIN DIMENSIONS		THIRD ANGLE PROJECTION		DRAWING		SERIES	
				A3-SIZE		504740		MATERIAL NUMBER	
				GENERAL				CUSTOMER	
								SHEET NUMBER	
								2 OF 2	



エンボステープ内の製品の向き
DIRECTION OF CONNECTOR IN EMBOSSED TAPE

NOTES

- 製品詳細寸法については、図面 5047401000をご参照下さい。
REFER TO THE 5047401000 ABOUT DIMENSIONS IN DETAIL.
- 梱包数量 : 5000 個/リール
NUMBER OF CONNECTORS : 5000 PCS/REEL
- リードテープ長さ
LEAD TAPE LENGTH



- トップテープの剥離強度については、IEC60286-3 に準拠
TOP TAPE PEEL FORCE IS DEFINED BY IEC60286-3.
- 材料
キャリアテープ : ポリスチレン (PS)
トップテープ : PET, OTHER
リール : ポリスチレン (PS) <リサイクル材を含む>

MATERIAL
CARRIER TAPE : POLYSTYRENE(PS)
TOP TAPE : PET, OTHER
REEL ; POLYSTYRENE(PS)
<RECYCLE MATERIAL CONTAINED>

32	37.4	33.4	504740-6100	61
			504740-5100	51
24	29.4	25.4	504740-4500	45
			504740-4100	41
			504740-3900	39
			504740-3700	37
			504740-3300	33
16	21.4	17.4	504740-2500	25
			504740-2300	23
			504740-1900	19
テープ幅 TAPE WIDTH	B	A	EMBOSSED PACKAGE	CIRCUIT
			オーダー番号 ORDER NO.	
CONNECTOR SERIES NO.			504740-**09	

THIS DRAWING CONTAINS INFORMATION THAT IS PROPRIETARY TO MOLEX ELECTRONIC TECHNOLOGIES, LLC AND SHOULD NOT BE USED WITHOUT WRITTEN PERMISSION									
DIMENSION UNITS	SCALE	CURRENT REV DESC:							
mm	1:1	<p style="text-align: center;">molex</p> <p>0.3 FPC CONN. BACK FLIP HGT=0.95MM EMBSTP PKG</p> <p>PRODUCT CUSTOMER DRAWING</p>							
GENERAL TOLERANCES (UNLESS SPECIFIED)									
ANGULAR TOL	± 1.0°								
4 PLACES	± 0.2								
3 PLACES	± 0.25								
2 PLACES	± 0.3								
1 PLACE	± 0.1	EC NO: 692510	DRWN: NARENC	2022/01/17	DOCUMENT NUMBER				
0 PLACES	±	CHK'D: TKON	2022/01/19	DOC TYPE					
DRAFT WHERE APPLICABLE MUST REMAIN WITHIN DIMENSIONS		APPR: SHOSHIKAWA	2022/01/20	DOC PART					
THIRD ANGLE PROJECTION		INITIAL REVISION:	DRWN: TONO		2013/12/03	SD-504740-002		PSD	001
DRAWING		APPR: YNOGAWA	2014/03/05	SERIES		CUSTOMER		REVISION	
A3-SIZE		504740		MATERIAL NUMBER		GENERAL MARKET		SHEET NUMBER	
				SEE TABLE				1 OF 1	