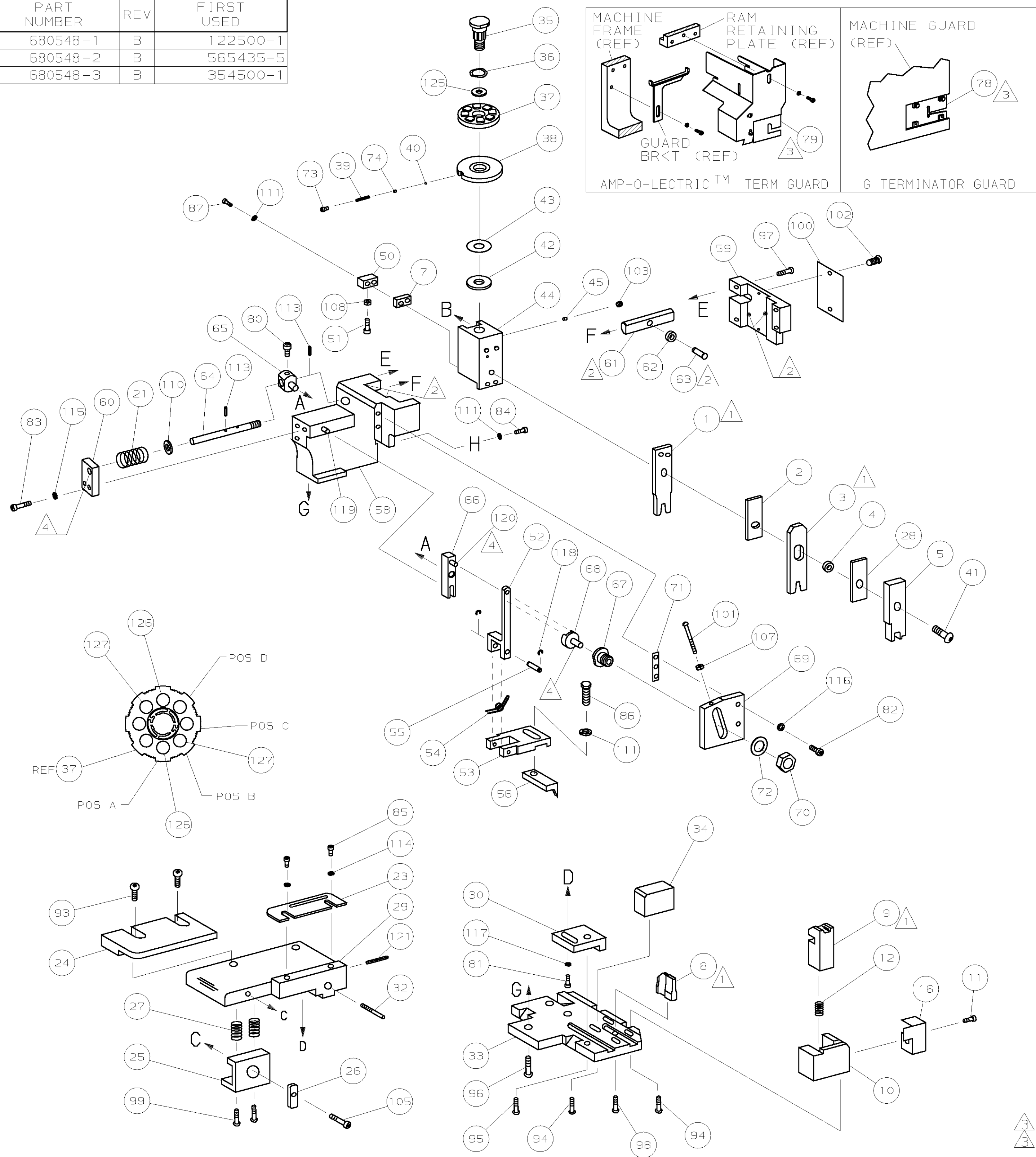
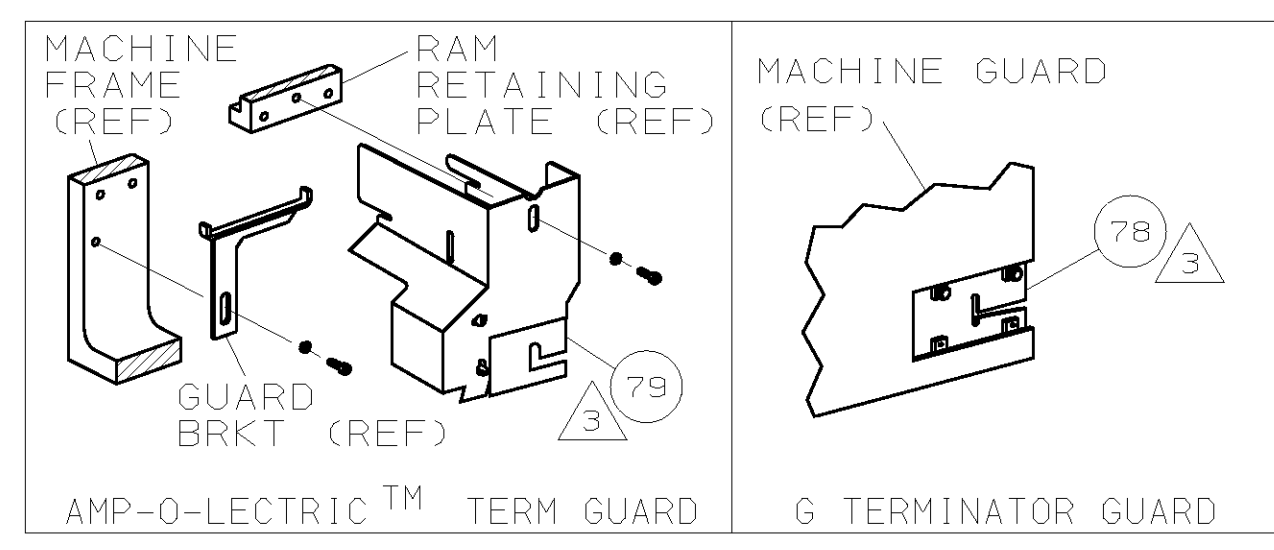


PART NUMBER	REV	FIRST USED
680548-1	B	122500-1
680548-2	B	565435-5
680548-3	B	354500-1



RECEIPT		PIN		CRIMPING DATA		
286657		286658		PAD LTR	CRIMP HEIGHT	WIRE SIZE
				A	.071 ±.002 [1.8 ±0.05mm]	2 mm <sup>2</sup>
				B	.053 ±.002 [1.35 ±0.05mm]	1 mm <sup>2</sup>
				C	.067 ±.002 [1.7 ±0.05mm]	1 mm <sup>2</sup>
				D	.059 ±.002 [1.5 ±0.05mm]	2 mm <sup>2</sup>
				CRIMP	SIZE	TYPE
				WIRE	.090 [3.29mm]	F
				INSUL	.130 [3.30mm]	F
						2.5mm-3mm

QTY	RECD	PER	ASSY	TERM	APPL	SPEC	FEED	APPL	INSTRUCTION	SET UP	LAYOUT
2	2	2	-	C				1-354779-2	PIN, WIRE DISC (.3050)D		129
2	2	2	-	C				9-354778-5	PIN, WIRE DISC (.2970)C		128
2	2	2	-	C				2-354779-8	PIN, WIRE DISC (.3130)B		127
2	2	2	-	C				8-354778-7	PIN, WIRE DISC (.2930)A		126
1	1	1	-	A				986950-1	WASHER, FLAT PRECISION		125
1	1	1	-	A				217238-1	GENERAL INSTRUCTION PACKAGE		124
1	1	1	-	-				4088040	SF APPL INST 408-8040		123
											122
1	1	1	-	A				4-21028-0	PIN, SLT SPR (ø.093x.75) ST GDE PL		121
REF	REF	REF	-	A				1-21030-1	PIN, DOWEL (ø.187x.50) LEVER		120
REF	REF	REF	-	A				1-21030-6	PIN, DOWEL (ø.187x1.25) HOUSING		119
REF	REF	REF	-	A				21045-3	RING, RET "C" (ø.187) FD FING PIN		118
1	1	1	-	A				21024-5	WASHER, LOCK (#10) ADJ BLOCK		117
REF	REF	REF	-	A				21024-5	WASHER, LOCK (#10) ADJ PLATE		116
REF	REF	REF	-	A				21024-5	WASHER, LOCK (#10) FEED GDE ROD		115
2	2	2	-	A				21024-2	WASHER, LOCK (#4) FRONT STP GUIDE		114
REF	REF	REF	-	A				5-21028-1	PIN, SLT SPR (ø.125x.50) ADJ ROD		113
											112
4	4	4	-	A				21024-4	WASHER, LOCK (#8) STRIPPER		111
REF	REF	REF	-	A				21899-4	WASHER, FLAT (ø5/16) SCREW ADJ		110
											109
1	1	1	-	A				21018-5	NUT, HEX (NO. 6) HOLDDOWN		108
REF	REF	REF	-	A				21018-5	NUT, HEX (6-32) FEED ADJ		107
											106
1	1	1	-	A				22353-8	SCR, SHLD (ø.187x.25) DRAG LEVER		105
1	1	1	-	A				992031-1	PIN, CLEVIS		104
1	1	1	-	A				21009-2	SCR, SKT SET (1/4-20x.25 LW) RAM		103
2	2	2	-	A				21017-2	SCR, DRIVE (#2x.19) ID PLATE		102
REF	REF	REF	-	A				6-23715-5	SCR, PAN HD (6-32x1.50) FEED ADJ		101
1	1	1	-	B				461264-1	PLATE, IDENTIFICATION		100
2	2	2	-	A				3-21002-0	SCR, BHC (10-32x.88) DRAG		99
1	1	1	-	A				22733-8	SCR, BHC (8-32x.38 LW) ANVIL		98
REF	REF	REF	-	A				2-21002-9	SCR, BHC (10-32x.75) CAP		97
REF	REF	REF	-	A				2-22733-8	SCR, BHC (1/4-20x.62) HOUSING		96
REF	REF	REF	-	A				2-21002-7	SCR, BHC (10-32x.50) 56 ADJ BLOCK		95
4	4	4	-	A				2-21002-2	SCR, BHC (8-32x.50) TERM H DWN		94
2	2	2	-	A				2-21002-4	SCR, BHC (3-32x.75) R STP GDE		93
											92
1	1	1	-	A				1-21002-7	SCR, BHC (6-32x.38) CAM		91
											90
1	1	-	-	A				7-21000-9	SCR, SHC (4-40x.19) STRIPPER		89
											88
2	2	2	-	A				2-21000-8	SCR, SHC (8-32x.62) DEP-HOLD		87
1	1	1	-	A				2-22603-0	SCR, HEX HD (8-32x.31) FEED FINGER		86
2	2	2	-	A				1-21000-3	SCR, SHC (4-40x.25) F ST GUIDE		85
1	1	1	-	A				2-21000-7	SCR, SHC (8-32x.50) STRIPPER		84
REF	REF	REF	-	A				3-21000-7	SCR, SHC (10-32x.75) FEED ROD GD		83
REF	REF	REF	-	A				3-21000-6	SCR, SHC (10-32x.62) FD ADJ BLK		82
1	1	1	-	A				3-21000-4	SCR, SHC (10-32x.38) 56 ADJ BL		81
REF	REF	REF	-	A				3-21000-4	SCR, SHC (10-32x.38) PIVOT BLK		80
-	REF	-	-	B				455749-1	GUARD, WINDOW		79
REF	-	-	-	B				679532-1	INSERT, GUARD		78
											77
											76
											75
1	1	1	-	A				690603-1	SPRING, ASSIST		74
1	1	1	-	A				23030-1	SCR, SHC (6-32x.25 SL) INS DISC		73
REF	REF	REF	-	A				458109-1	WASHER, SPECIAL		72
REF	REF	REF	-	A				1-45617-1	SPACER		71

QTY	RECD	PER	ASSY	U/M	DWG	SIZE	PART NO	DESCRIPTION	ITEM
-1								LEADMAKER	
-2								BENCH MODEL K	
-3								BENCH MODEL G	
REF	REF	REF	-	B			22594-8	NUT, HEX (1/2-20)	70
REF	REF	REF	-	B			240628-1	PLATE, ADJUSTMENT	69
REF	REF	REF	-	B			240626-1	SHAFT, PIVOT	68
REF	REF	REF	-	B			240633-1	BUSHING	67
REF	REF	REF	-	A			455680-1	LEVER, INTERMEDIATE	66
REF	REF	REF	-	B			240629-1	BLOCK, PIVOT	65
REF	REF	REF	-	A			240632-2	SCREW, ADJ FEED ROD	64
REF	REF	REF	-	B			240659-3	PIN, CAM ROLLER	63
REF	REF	REF	-	B			240658-1	ROLLER, CAM	62
REF	REF	REF	-	B			454398-2	ROD, FEED	61
REF	REF	REF	-	A			454178-1	GUIDE, FEED ROD	60
REF	REF	REF	-	C			454220-1	CAP, RAM	59
REF	REF	REF	-	D			454485-1	HOUSING	58
									57
1	1	1	-	B			1-694433-6	PAWL, FEED	56
REF	REF	REF	-	B			240624-1	PIN, FEED FINGER	55
REF	REF	REF	-	B			691499-1	SPRING, FEED FINGER	54
REF	REF	REF	-	B			690541-1	HOLDER, FEED FINGER	53
REF	REF	REF	-	A			455679-1	LEVER, TERMINAL FEED ARM	52
1	1	1	-	A			811242-2	BUMPER, HOLDDOWN	51
1	1	1	-	A			690753-1	SPACER, TONKER	50
1	-	-	-	B			690602-6	CAM, PRE-FEED 1 5/8 ST	49
-	1	-	-	B			690602-5	CAM, PRE-FEED 1 1/8 ST	48
-	-	1	-	B			690501-4	CAM, POST-FEED 1 5/8 ST	47
1	1	1	-	B			459456-2	APPLICATOR, BASIC (SUBASSY)	46
1	1	1	-	A			690191-1	PLUG, NYLON	45
1	1	1	-	C			455673-1	RAM	44
1	1	1	-	A			690125-1	WASHER, LAMINATED	43
1	1	1	-	A			690124-1	WASHER, RAM	42
1	1	1	-	A			690686-2	BOLT, CRIMPER (5/16x1.00)	41
1	1	1	-	A			23241-6	BALL, STEEL	40
1	1	1	-	A			690170-1	SPRING, COMPRESSION	39
1	1	1	-	C			690142-1	DISC, INSULATION	38
1	1	1	-	D			354777-1	WIRE DISC, PLASTIC	37
1	1	1	-	A			22480-5	WASHER, SPRING	36
1	1	1	-	B			690212-1	POST, RAM	35
1	1	1	-	B			690786-6	SUPPORT, TERMINAL	34
REF	REF	REF	-	D			455675-1	PLATE, BASE	33
1	1	1	-	A			690432-3	SCREW, ADJUSTMENT	32
									31
REF	REF	REF	-	B			455689-1	BLOCK, STRIP GUIDE ADJ	30
1	1	1	-	C			3-458144-3	PLATE, STRIP GUIDE	29
1	1	1	-	C			1-455888-9	SPACER, FRONT SHEAR DEP	28
2	2	2	-	A			1-22284-0	SPRING, DRAG	27
1	1	1	-	B			240793-1	LEVER, DRAG RELEASE	26
1	1	1	-	B			240792-1	DRAG, TERMINAL	25
1	1	1	-	D			5-690504-8	GUIDE, STRIP (REAR)	24
1	1	1	-	A			690438-1	GUIDE, STRIP (FRONT)	23
-	-	1	-	B			690472-2	STRIPPER	22
REF	REF	REF	-	A			4-22284-9	SPRING, FEED RETURN	21
1	1	-	-	A			679218-1	STRIPPER WIRE STOP ASSY	20
1	1	-	-	B			458949-1	STRIPPER	19
									18
									17
1	1	1	-	B			318563-1	GUARD, CHIP, FRONT	16
									15
									14
									13
1	1	1	-	A			5-22280-0	SPRING, SHEAR	12
1	1	1	-	B			690461-1	STOP, SHEAR	11
1	1	1	-	C			690459-1	HOLDER, SHEAR (FRONT)	10
1	1	1	-						