

4

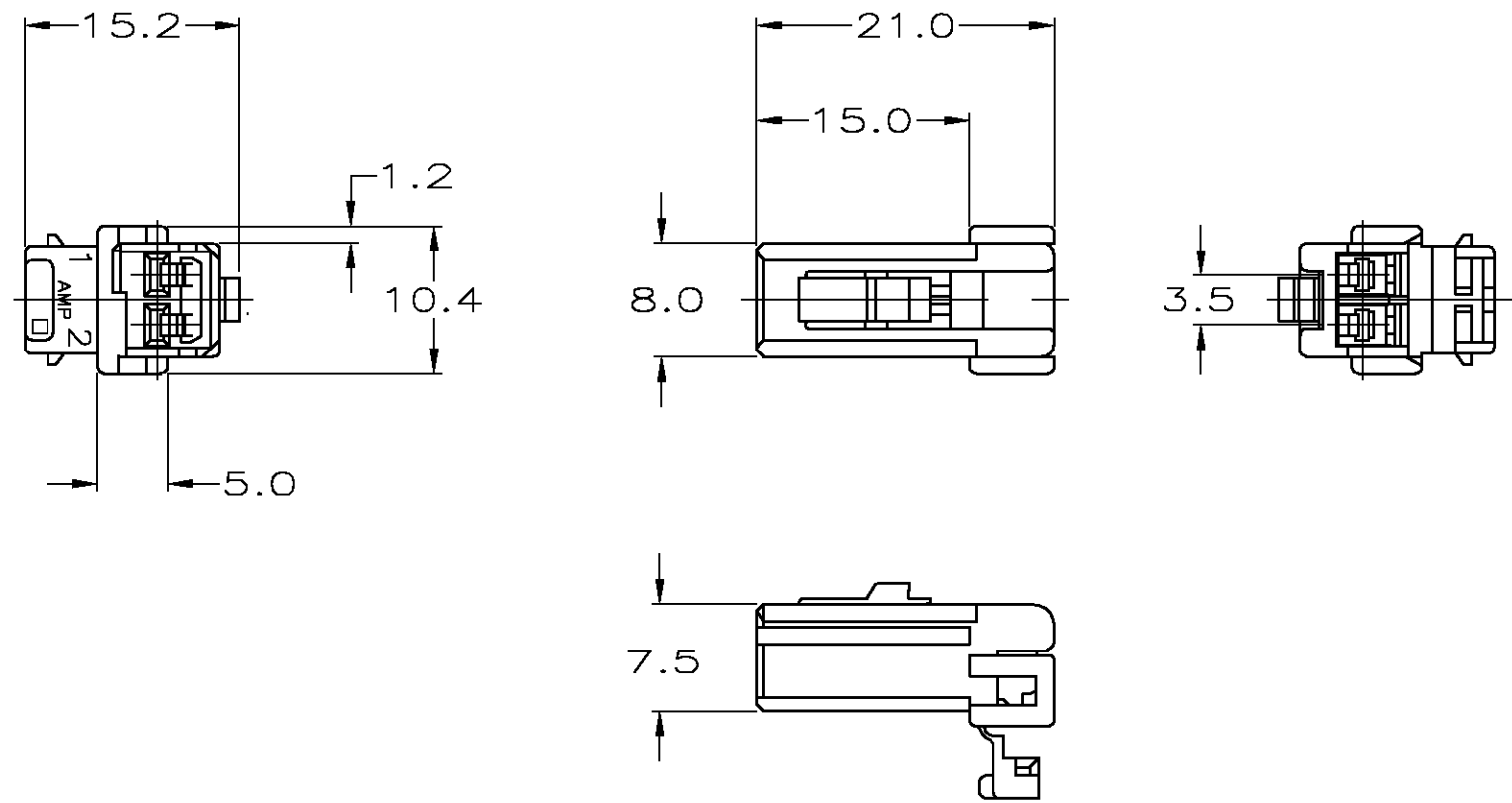
3

2

1

THIS DRAWING IS UNPUBLISHED. RELEASED FOR PUBLICATION
 © COPYRIGHT BY TYCO ELECTRONICS CORPORATION. ALL RIGHTS RESERVED.

LOC	DIST	REVISIONS				
P	LTR	DESCRIPTION	DATE	DWN	APVD	
FX	55					
		D	REDRAWN - EC 0K80-0003-03	05FEB03	JRB/SSA	



1. MATES TO MOLDED-IN INTERFACE DEVICE.
2. APPLIED CONTACT PART NUMBER 173631.

BLACK	776127-2
COLOR	PART NUMBER

THIS DRAWING IS A CONTROLLED DOCUMENT.		DWN	P. YEAGER	9-6-96	 Tyco Electronics Corporation Harrisburg, PA 17105-3608
DIMENSIONS: MM		CHK	R. GRAY	9-6-96	
		APVD	R. GRAY	9-6-96	
TOLERANCES UNLESS OTHERWISE SPECIFIED:		PRODUCT SPEC	-		
MATERIAL: PBT		FINISH	-		NAME: PLUG HSG, 2 POSN, RIGHT KEYED .070 SERIES MULTI-LOCK
0 PLC ± - 1 PLC ± 0.25 2 PLC ± 0.13 3 PLC ± - 4 PLC ± - ANGLES ± -		APPLICATION SPEC	-		SIZE: A3
-		WEIGHT	-		CAGE CODE: 00779
-		CUSTOMER DRAWING	-		DRAWING NO: 776127
-		SCALE: 2:1	SHEET 1 OF 1		RESTRICTED TO: -
-		REV: D			