

DESCRIPTION: M5 MALE - CABLE MOUNT - SOLDER CUP - 4 POSITION

NOTE:

MATERIAL
 HOUSING: TPU, BLACK
 CONTACT: BRASS
 NUT: BRASS

FINISH
 CONTACT: GOLD PLATED OVER 50µ" NICKEL SATIN NICKEL

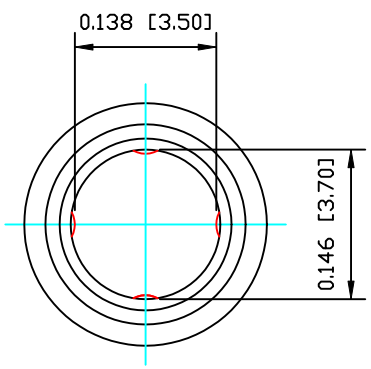
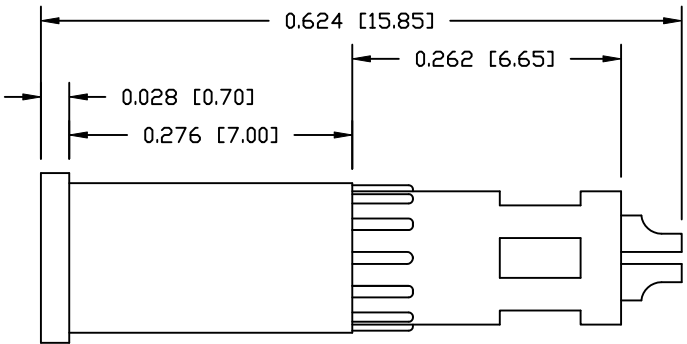
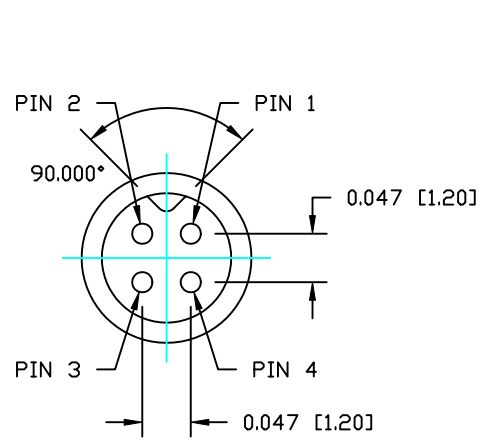
NUT:

ELECTRICAL
 RATED CURRENT: 1A
 RATED VOLTAGE: 60V
 INSULATION RESISTANCE: 100 mOhms MIN.
 CONTACT RESISTANCE: 10 MOhms MAX.
 WATER PROOF: IP67

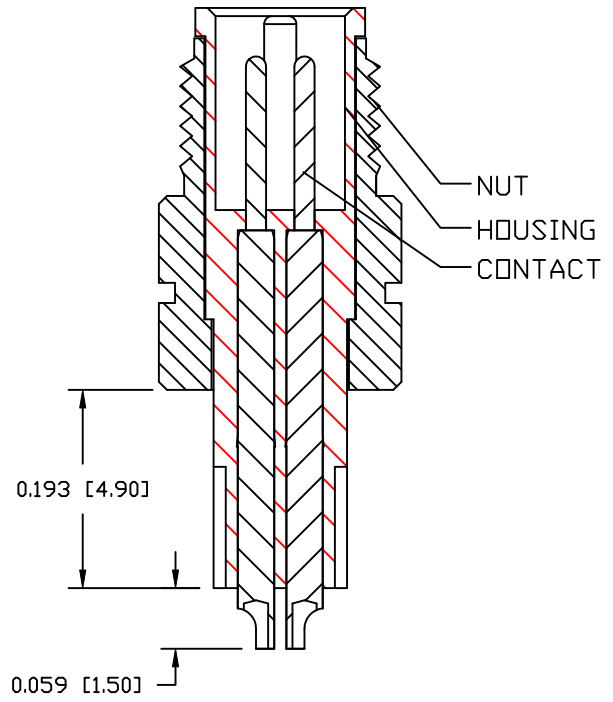
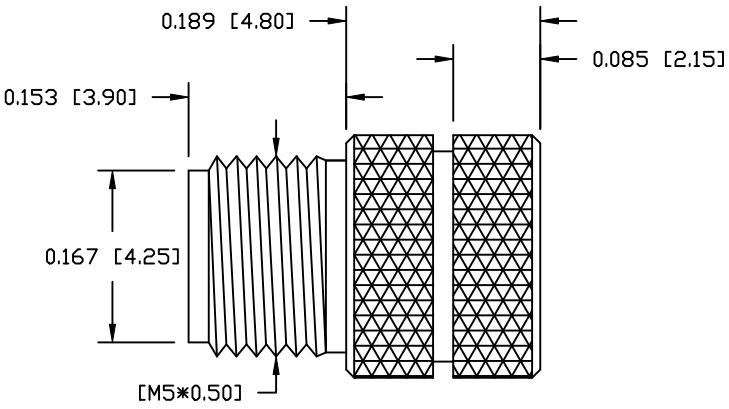
ENVIRONMENT
 OPERATION TEMPERATURE: -40°C TO +85°C
 WIRE GAUGE: 26-28 AWG

850-004-103RLUY

1 = GOLD FLASH
 4 = 10µ" GOLD



NUT



RoHS COMPLIANT

DO NOT SCALE FROM DRAWING



THESE DRAWINGS AND SPECIFICATIONS ARE THE PROPERTY OF NorComp AND SHALL NOT BE REPRODUCED, COPIED OR USED AS THE BASIS FOR THE MANUFACTURE OR SALE OF APPARATUS WITHOUT WRITTEN PERMISSION.

DRAWN: M. SIGMON
DATE: 03-04-16
CHECKED:
DATE:

NorComp

SCALE: NTS
SHEET 1 **OF** 1
REV 1
DWG NO. 850-004-103RLUY