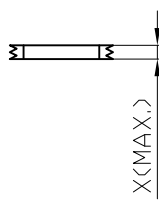


1 2 3 4 5 6 7

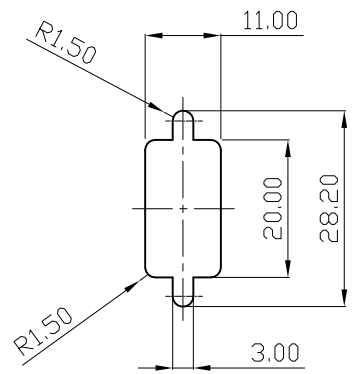
A



B

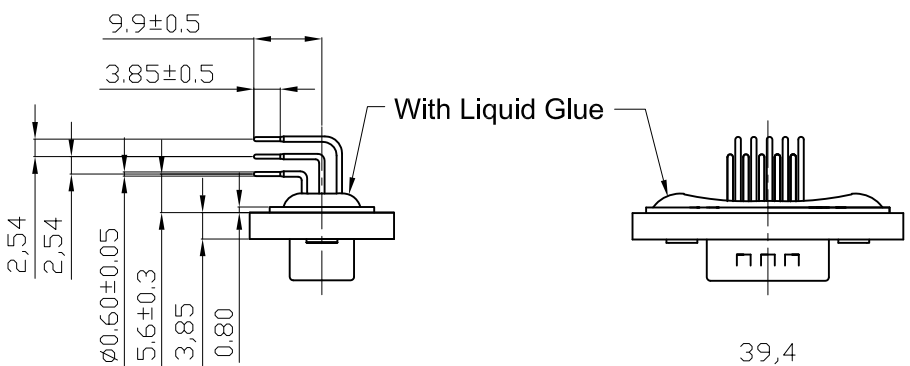
Panel Thickness
Screw L=5.0 For Panel Thickness Under 1.2mm
Screw L=6.0 For Panel Thickness Between 1.2-2.0mm

C



Recommended Panel Cut-Out

D

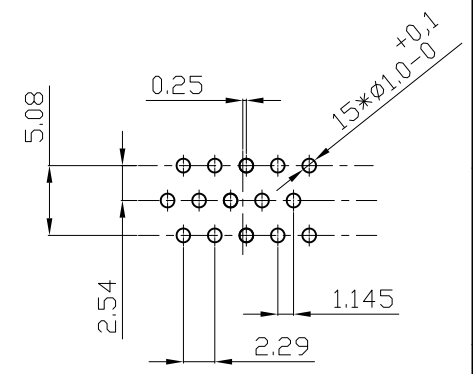
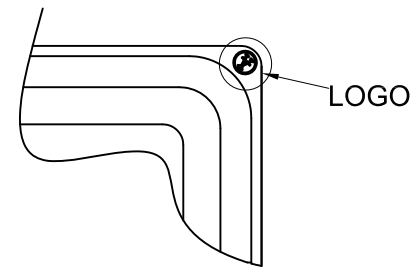
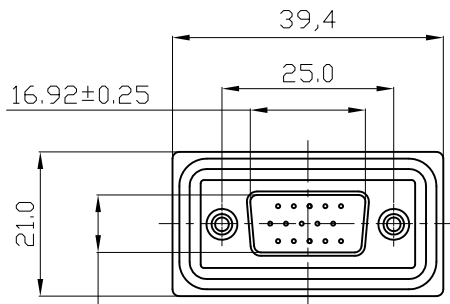
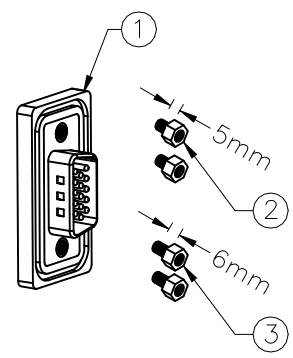


NOTES:

MATERIAL

1. Insulator Material: Black, NYLON+G/F
2. Contact Material : Copper Alloy
3. Plating : Gold Plating
4. Waterproof Rate: IP67
5. Do Mating Test After Glued
6. LOGO

E



15 Pin Male Connector
PCB Pin Layout
Scale 2:1

F

RoHS compliant

Scale	1:1					Date	Name	Customer-No.	
TOLERANCE						Drawn	JACK	ASSMANN WSW-No. A-HDS 15 AA-WP	
X.X	±0.25					Approved	Hellwig		
X.XX	±0.10								
X.XXX	±0.05								
DIM	TOL							Drawing-No.	
ANGLE	±1°							ASS 3274 CO	rev01
X.X°	±X°	①	Drawn	24.12.2008	JACK			Replace	Sheet
Angle	TOL	Id.	Modification	Date	Name				

H

1 2 3 4 5 6 7