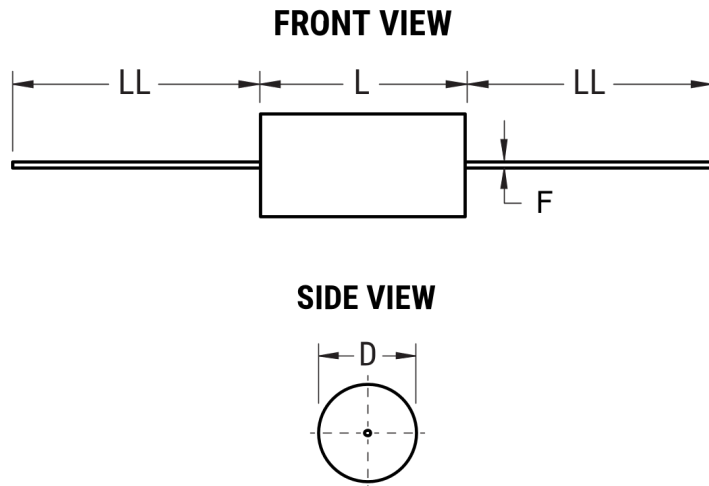


A70PK2470AA00M

Aliases (70PK2470AA00M)

A70, Film, Metallized Polypropylene, General Purpose, 0.047 uF, 20%, 250 VAC, 630 VDC, 85°C



Click [here](#) for the 3D model.

Dimensions	
D	8.5mm MAX
L	20.5mm MAX
LL	40mm +/-5mm
F	0.8mm +/-0.05mm

Packaging Specifications	
Packaging	Bulk, Bag
Packaging Quantity	750

General Information	
Series	A70
Dielectric	Metallized Polypropylene
Style	Axial
RoHS	Yes
Lead	Wire Leads
AEC-Q200	No
Component Weight	1g
Miscellaneous	Above 85C DC And AC Voltage Derating Is 1.25%/C. maxKO = 19000.

Specifications	
Capacitance	0.047 uF
Capacitance Tolerance	20%
Voltage AC	250 VAC
Voltage DC	630 VDC, 472.5 VDC (105C)
Temperature Range	-55/+105°C
Rated Temperature	85°C
Dissipation Factor	0.06% 1kHz, 0.1% 10kHz, 0.3% 100kHz
Insulation Resistance	100 GOhms
Max dV/dt	15 V/us
Inductance	20.5 nH

Statements of suitability for certain applications are based on our knowledge of typical operating conditions for such applications, but are not intended to constitute - and we specifically disclaim - any warranty concerning suitability for a specific customer application or use. This information is intended for use only by customers who have the requisite experience and capability to determine the correct products for their application. Any technical advice inferred from this information or otherwise provided by us with reference to the use of our products is given gratis, and we assume no obligation or liability for the advice given or results obtained.