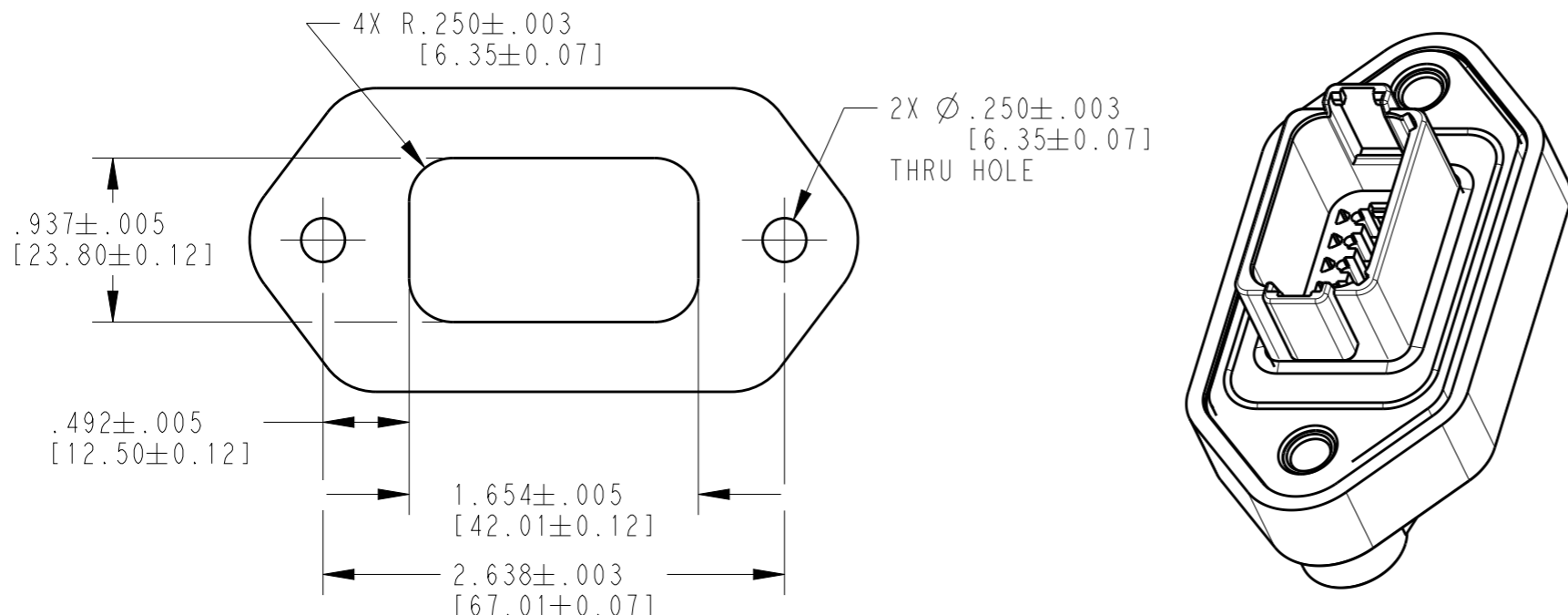


LOC	DIST	REVISIONS			
P	LTR	DESCRIPTION	DATE	DWN	APVD
		NC	NEW RELEASE PER E.O. P15865	10 MAR1999	JA RDR
		A	REVISED PER ECO-14-012761	19AUG2014	JA DM
		A1	REVISED PER PCN E-17-012564	28AUG2017	JA DM

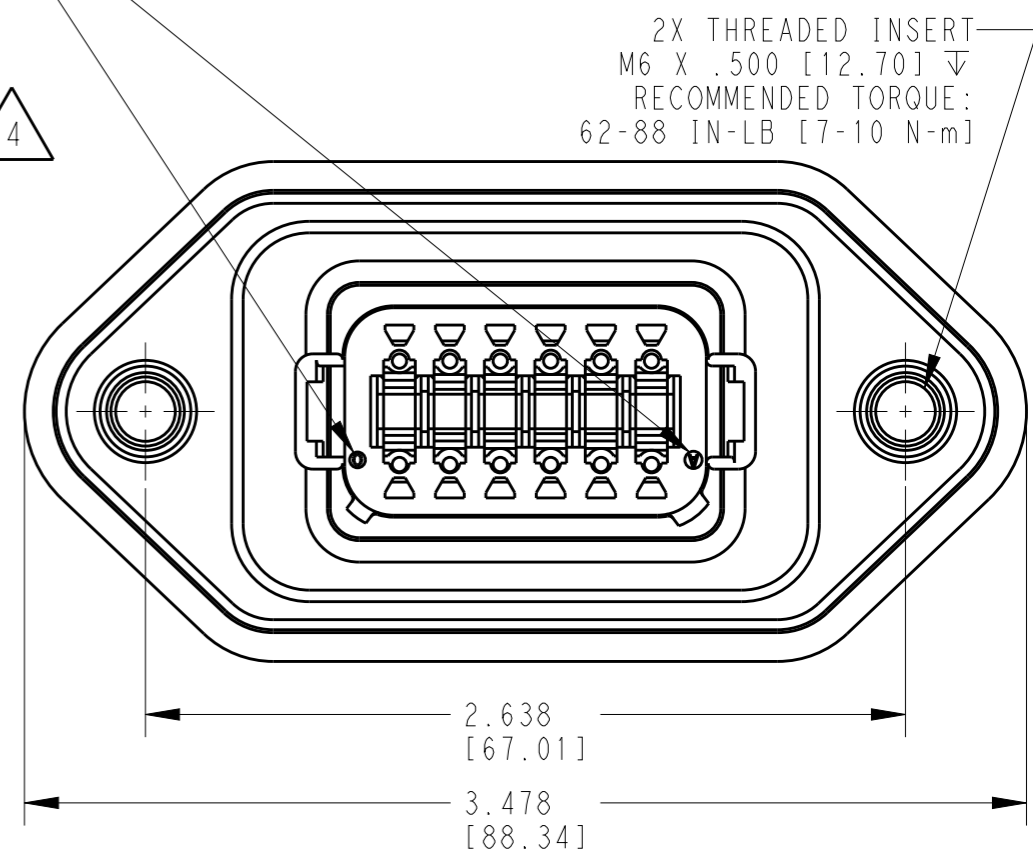
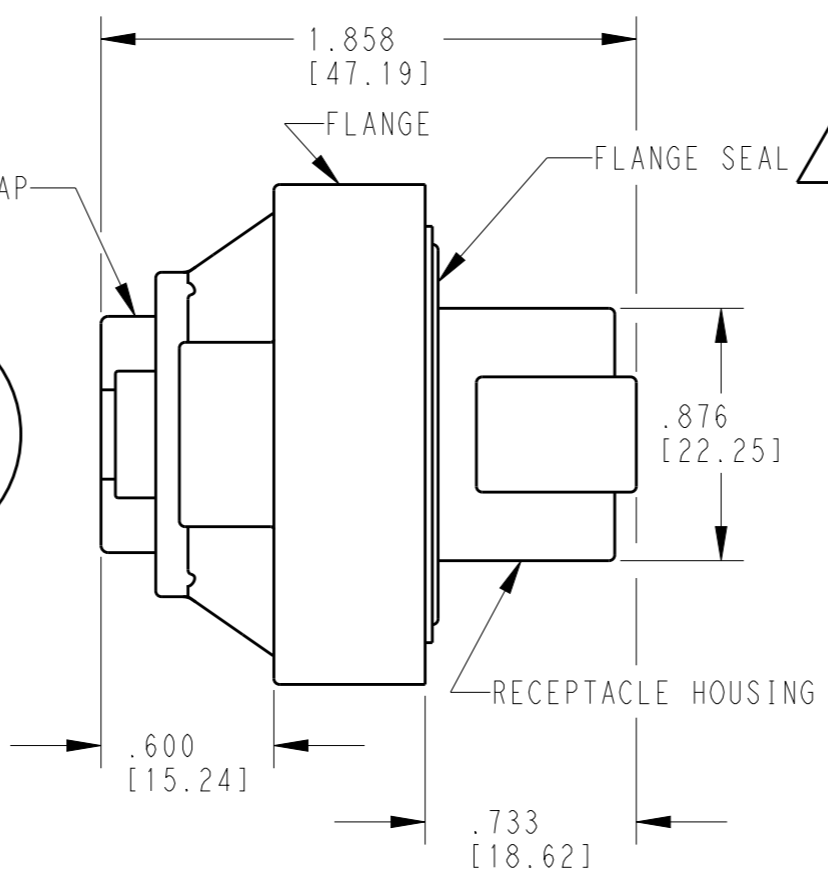
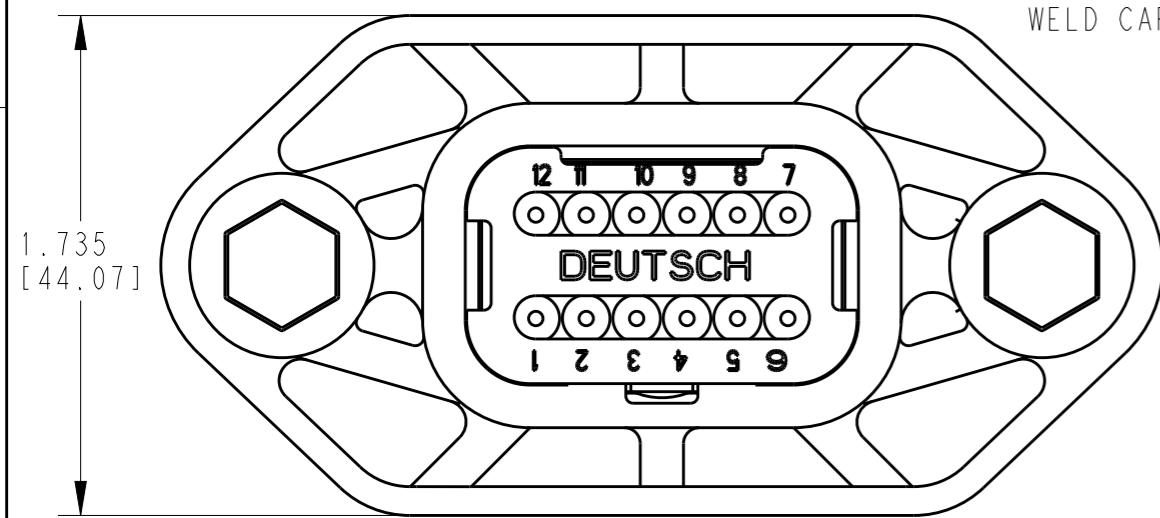


CONTACT SIZE	MIN. INSUL O.D.	MAX. INSUL O.D.	WIRE RANGE [mm <sup>2</sup> ] REF ONLY
16	.088 [2.24]	.145 [3.68]	14-20 AWG [2.5-0.5]

TE INTERNAL PN	DEUTSCH PN
DT04-12PA-LE10	DT04-12PA-LE10

DATE CODE: MONTH IS REPRESENTED BY SEQUENTIAL ALPHA CHARACTERS. EX: A = JANUARY, YEAR IS REPRESENTED BY LAST NUMERICAL DIGIT. EX: 0 = 2010

**RECOMMENDED MOUNTING DETAIL**



- 4 FLANGE SEAL IS INTENDED FOR NON-PRESSURIZED FLUID SPLASH ONLY.
- 3 MATERIAL: HOUSING, CAP, FLANGE: PA66 GF15 (BLACK)  
 GROMMET, GASKET: VMQ (RED-ORANGE)  
 INSERTS: STAINLESS STEEL

2. THIS RECEPTACLE MATES WITH DT06-12SA-XXXX PLUG. (XXXX = ALL MODIFICATIONS) CONSULT FACTORY FOR MODIFICATIONS.

1 FOR CONTACTS AND WIRE PERFORMANCE AND APPLICATION CHARACTERISTICS, SEE ENVELOPE DRAWING 0425-015-0000.

NOTES: UNLESS OTHERWISE SPECIFIED

THIS DRAWING IS A CONTROLLED DOCUMENT.		DWN 12AUG2014 JAIME C. APOSTOL		TE Connectivity	
DIMENSIONS: in [mm]		CHK 19AUG2014 RUSSELL MESSENGER			
TOLERANCES UNLESS OTHERWISE SPECIFIED:		APVD 19AUG2014 DAVID MEYER		NAME 12 WAY RECEPTACLE WITH FLANGE -LE10 MOD DT SERIES	
0 PLC ±		PRODUCT SPEC 108-151009		SIZE A3	
1 PLC ±		APPLICATION SPEC 0425-017-0000		CAGE CODE 4AFU8	
2 PLC ±		WEIGHT 53.32g		DRAWING NO DT04-12PA-LE10	
3 PLC ±.025 [0.64]		CUSTOMER DRAWING		RESTRICTED TO	
4 PLC ±		SCALE 3:2		SHEET 1 OF 1	
ANGLES ± ±0°30'0"		REV A1			
FINISH					