

EdgeReady™ Micro Data Center

Heavy-Duty Wall-Mount, 15U Usable, 3 kVA, 120V



Benefits

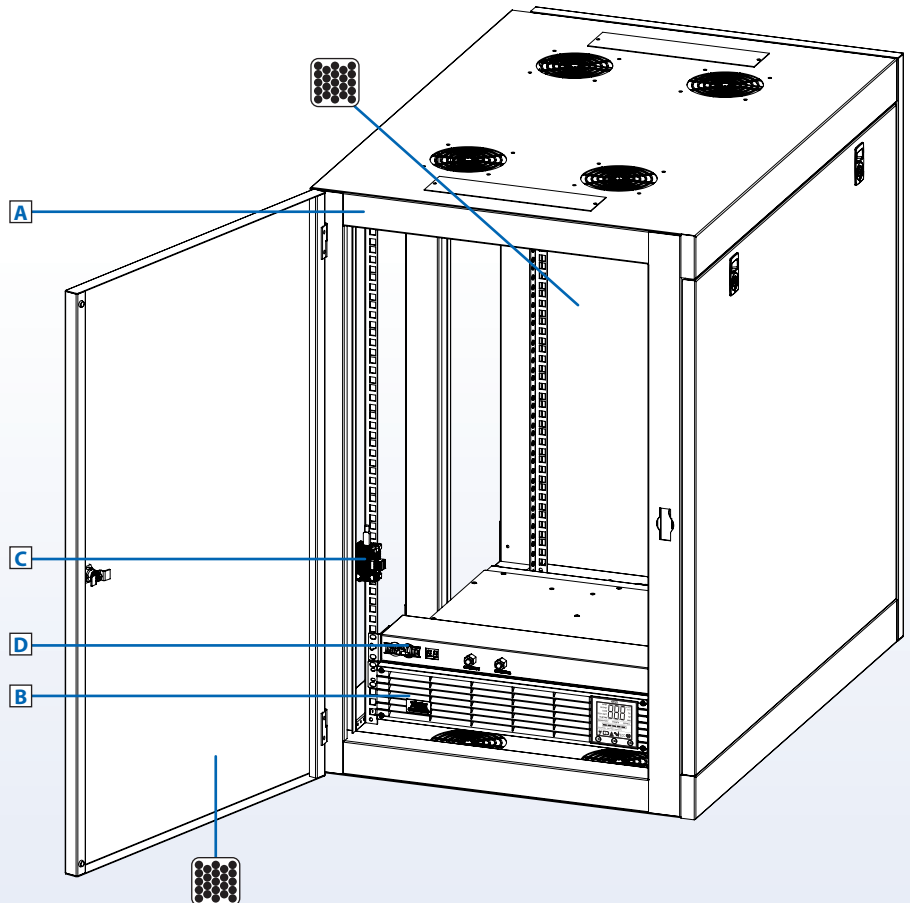
- Provides preconfigured IT infrastructure for edge computing servers, storage and network hardware in locations without available floor space
- Integrates secure rack space, reliable power distribution, battery backup, remote management and passive cooling
- Prevents configuration errors, reduces installation time, decreases field costs and standardizes edge computing infrastructure
- Kit ships three business days from receipt of order, after design validation by solution experts

Included Hardware

- A** **SRW18UHD** Heavy-Duty Wall-Mount Rack Enclosure (Side-Mounted)
- B** **SMART3000RMLN** SmartPro® UPS System with Pre-Installed **WEBCARDLX** Network Management Card
- C** **E2MTHDI** Environmental Sensor (Temperature/Humidity/Digital Inputs)
- D** **PDUMH30** Metered PDU

Kit includes major components ready for final assembly on-site.

See Next Page for Customization Options



Specifications

Model (Kit)	MDK1W15UPX00000
Model (Assembled/Tested)	Not Available for Wall-Mount Units
Output Power Capacity	3 kVA/2.88 kW/24A Max
Rack Space	18U Total; 15U Usable
Weight Capacity	500 lb. (226 kg) Total; 295 lb. (134 kg) Usable
Maximum Device Depth	32.5 in. (826 mm)
Site Power Requirements	120V, 30A, 60 Hz
Site Outlet Required	NEMA L5-30R
UPS Type	Line-Interactive with Sine Wave Output
Runtime (50%/100% Load)	10/3 min. (Expandable)
High-Availability Features	Automatic Voltage Regulation (AVR); Battery Backup; Hot-Swappable Batteries
Usable Outlets (UPS + PDU)	(20) NEMA 5-15/20R
Dimensions (Assembled)	37 x 36.2 x 24.8 in. (939 x 920 x 629 mm)
Weight (Assembled)	205 lb. (93 kg)
Warranty*	2-Year Limited Warranty (Extendable)

*Any component with a warranty longer than 2 years will be covered by the longer warranty.



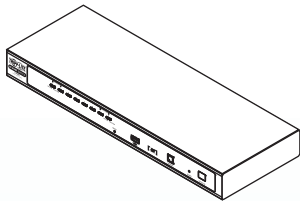
Powering and Connecting Your World

Unlimited Micro Data Center Customization

Tripp Lite's solutions team is standing by to help you tailor your EdgeReady micro data center to match the business and technology requirements of your edge deployment strategy. We ship custom solutions in as little as five business days.

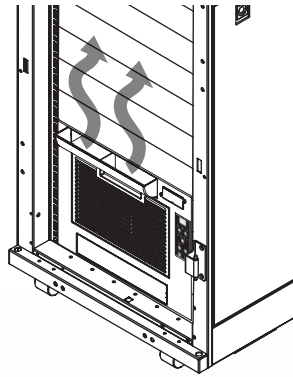
We can help you customize your EdgeReady micro data center in several ways:

- Quick and easy customization via add-on accessories for the stock configurations
- Upgrades to included components of stock configurations with ready-to-ship alternatives
- Customization of individual components like racks, PDUs and cables (increases lead time)



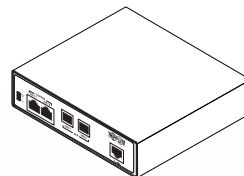
B022-U08-IP

1U KVM Switch with 8 Ports and Remote Access



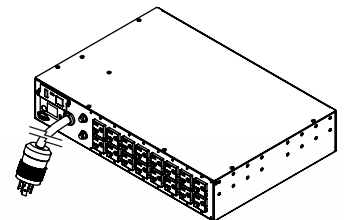
SRCOOL7KRM

8U Rack-Mount Air Conditioning Unit (2 kW)



B093-004-2E4U

4-Port Console Server with Modem Support for Fail-Safe Access



PDUMH30NET

2U Switched PDU with Remote Current Monitoring, Alerts and Outlet Control

Optional Accessories, Sold Separately (Visit tripplite.com to see the full selection.)

Switched PDU	PDUMH30NET with (16) NEMA 5-15/20R; 2U (Replaces standard PDU.)
Battery Packs for Extended Runtime (50%/100% Load)	30/11 min. with BP48V24-2U (Limit 1); 43/16 min. with BP48V27-2US ; 67/26 min. with BP48V60RT-3U
Cooling	SRCOOL7KRM (2 kW; 8U Rack-Mount, NEMA 5-15P)
KVM Switch	B022-U08-IP
Console Server	B093-004-2E4U
Door Monitoring Kit	SRSWITCH (Monitors front/rear doors.)
Airflow Management	SR1UPANEL10 and/or SR1UBRUSH
Cable Managers	40+ Horizontal, Vertical and External Cable Management Options at tripplite.com
Power Cords	Match to IT Equipment; 250+ Power Cord Options at tripplite.com
Network Cables	Match to IT Equipment; 1000+ Copper and Fiber Network Cable Options at tripplite.com
Patch Panels	60+ Copper and Fiber Patch Panel Options at tripplite.com
Additional Sensors	E2MT (Connect up to 3 sensors total per WEBCARDLX to monitor top/middle/bottom temperature.)

1111 W. 35th Street, Chicago, IL 60609 USA | 773.869.1236 | tripplite.com



Powering and Connecting Your World