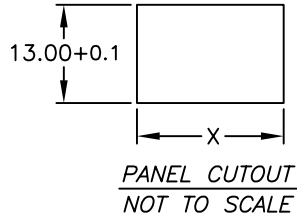
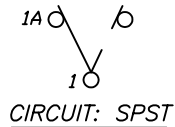


PANEL THICKNESS	X dimension
0.75-1.25 [0.030-.049]	19.2- <i>a</i> 1 [0.756]
1.25-2.0 [0.049-.079]	19.4- <i>a</i> 1 [0.764]
2.0-3.0 [0.079-.118]	19.8- <i>a</i> 1 [0.780]

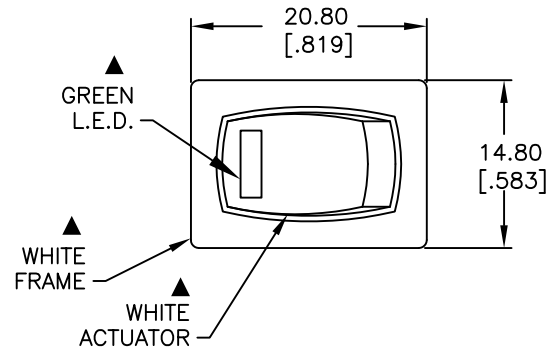


SWITCH FUNCTION	
PDS. 1	PDS. 2
ON	OFF
1-1a	OPEN



NOTES:

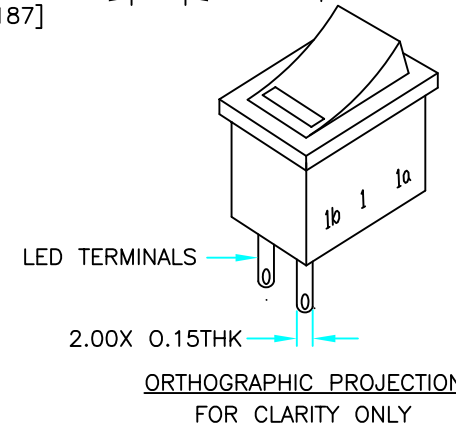
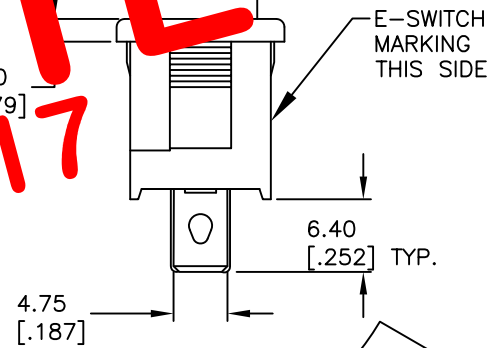
1. ALL DIMENSIONS IN MM [INCH]
2. GENERAL TOLERANCE: X.X=±0.4
X.XX=±0.25
3. TERMINAL NUMBERS FOR REF ONLY
4. RATING: 15A @ 125VAC OR 6A @ 250VAC
5. MATERIALS: (TERMINALS) SILVER PLATED COPPER
(CONTACTS) COIN SILVER, SILVER PLATED.
6. CONTACT RESISTANCE: <20 Mega
7. ELECTRICAL LIFE: 10,000 cycles
8. INSULATION RESISTANCE: >1000 Mega
9. DIELECTRIC STRENGTH: >1500V 1 minute
>3000V between Poles
10. OPERATING TEMP. RANGE: -25°C to +85°C



GREEN L.E.D

PARAMETERS	SYMBOL	MAX.	TYP.	UNITS
POWER DISSIPATION	P _D	80		mW
AVE FORWARD CURRENT	I _{AF}	--		mA
PEAK FORWARD CURRENT	I _{PF}	100		mA
REVERSE VOLTAGE	V _R	5		V
FORWARD VOLTAGE	V _F	2.6	2	V
REVERSE CURRENT	I _R		100	μA
EMISSION WAVELENGTH	λ _P		570	nm
LUMINOUS INTENSITY	I _v		30	mcd

OBSOLETE
November 2017
PCR 23107



E-SWITCH®				
TITLE		R1966AWHTWHTEFGRN		
SCALE	DATE	DR	DWG	REV
1.5:1	12/19/03	AR	M301122	A

REV.	ECN No.	DESCRIPTION	DATE	CHKD
A	13661	RELEASED FOR PRODUCTION	12/19/03	AR

THE INFORMATION CONTAINED IN THIS DOCUMENT IS PROPRIETARY TO E-SWITCH AND IS NOT TO BE COPIED OR TRANSFERRED