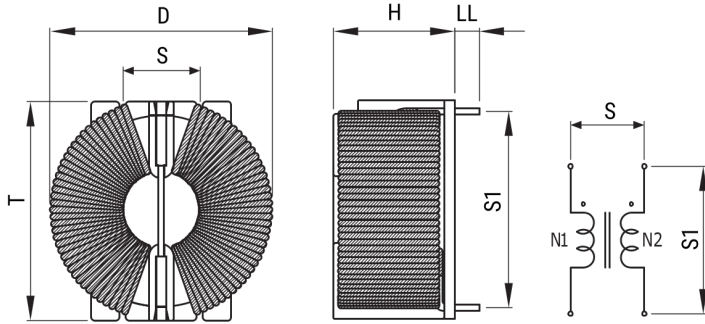


## SC-06-462JH

Aliases (UALSC06462JH00)

KEMET, SC-JH, AC Line Filters, Common Mode, 4.6 mH



Click [here](#) for the 3D model.

### Dimensions

D	35mm MAX
T	32.5mm MAX
H	18mm MAX
LL	3.5mm +/-1mm
S	11mm NOM
S1	28mm NOM
Wire Size	1mm

### Packaging Specifications

Packaging	Tray
Packaging Quantity	180
Component Weight	31 g

### General Information

Series	SC-JH
Style	Through-Hole
RoHS	Yes
Notes	Lead Spacing (S/S1) Are For Reference Only.
Miscellaneous	Temperature Rise Maximum: 110 K.
Core	Mn-Zn Ferrite

### Specifications

Voltage AC	250 VAC
Inductance	4.6 mH (10 kHz)
Current	6 A
Temperature Range	-25/+120°C
DC Resistance	45 mOhms