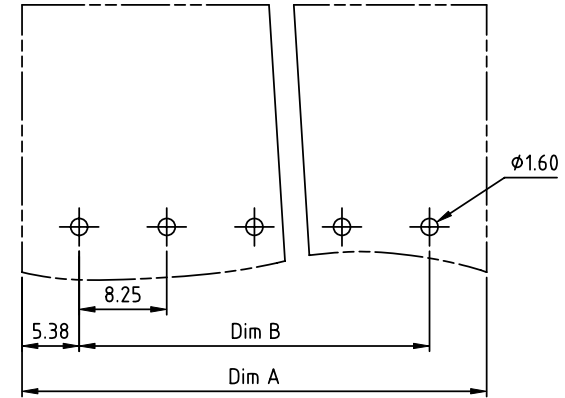
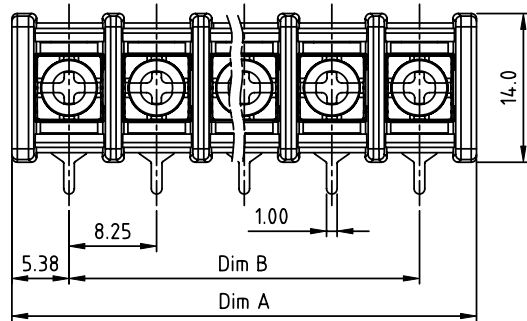
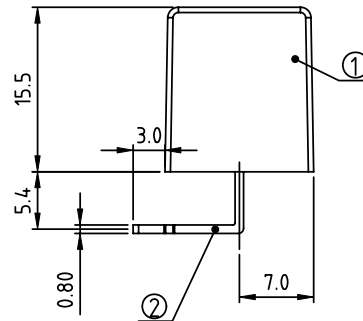
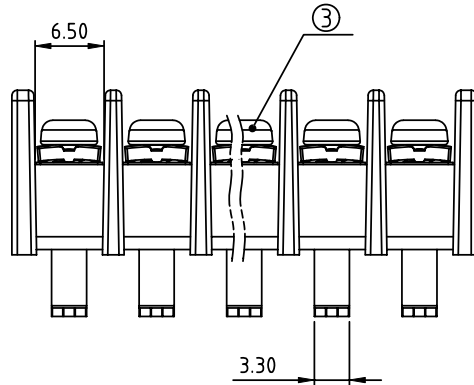


|                |         |
|----------------|---------|
| PRODUCT NUMBER | PITCH   |
| YK411xx0x0JOG  | 8.25 mm |



RECOMMENDED P.C.B LAYOUT  
TOP VIEW



**MATERIALS & ELECTRICAL**  
 RATED VOLTAGE & CURRENT: 300 V, 20 A  
 WITHSTAND VOLTAGE: AC 2000 V/Min  
 INSULATION RESISTANCE: 1000 MΩ OR MORE AT DC 500 V  
 OPERATING TEMPERATURE RANG: -40 °C ~ +115 °C  
 SCREW TORQUE VALUE: 8.8 Lb-In.  
 WIRE RANGE: 22 - 12 AWG  
 1) HOUSING: THERMOPLASTIC, UL 94 V-0 BLACK  
 2) TERMINAL: BRASS, 0.8t  
 3) TERMINAL SCREWS: STEEL, M3  
 APPROVAL: us

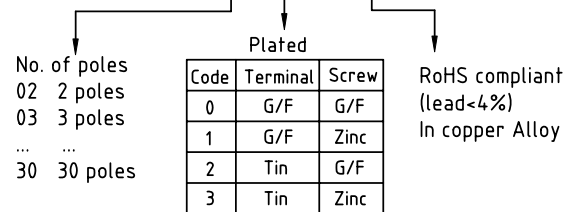
DIMENSION

|       |                       |
|-------|-----------------------|
| Dim A | $N \times 8.25 + 2.5$ |
| Dim B | $(N-1) \times 8.25$   |

N=Number of poles

| Poles   | Tolerance |
|---------|-----------|
| 2p-5p   | ±0.25     |
| 6p-10p  | ±0.35     |
| 11p-18p | ±0.40     |
| 19p-30p | ±0.50     |

PART NO.: YK 411xx 0 x 0 JOG



|             |                |                       |                         |                                       |                                  |
|-------------|----------------|-----------------------|-------------------------|---------------------------------------|----------------------------------|
| mat'l. code |                | surface<br>ASME Y14.5 | tolerance<br>ASME Y14.5 | projection<br>                        | product family<br>TERMINAL BLOCK |
| ltr         | ecn no         | dr                    | date                    | tolerances unless otherwise specified | title<br>TERMINAL BLOCK          |
|             |                |                       |                         | angles<br>                            | BARRIER TYPE                     |
|             |                |                       |                         | $X \pm 1^\circ$                       | scale                            |
|             |                | dr                    | EVAN LU                 | 061314                                | dwg no                           |
|             |                | enr                   | EVAN LU                 | 061314                                | sheet 1 of 1                     |
|             |                | chr                   | HANKE FENG              | 061314                                | size<br>A4                       |
|             |                | appd                  | SHI JUN                 | 061314                                | YK411xx0x0JOG                    |
|             |                |                       |                         |                                       | type<br>CUSTOMER Drawing         |
| sheet index | revision sheet | A                     | 1                       |                                       |                                  |