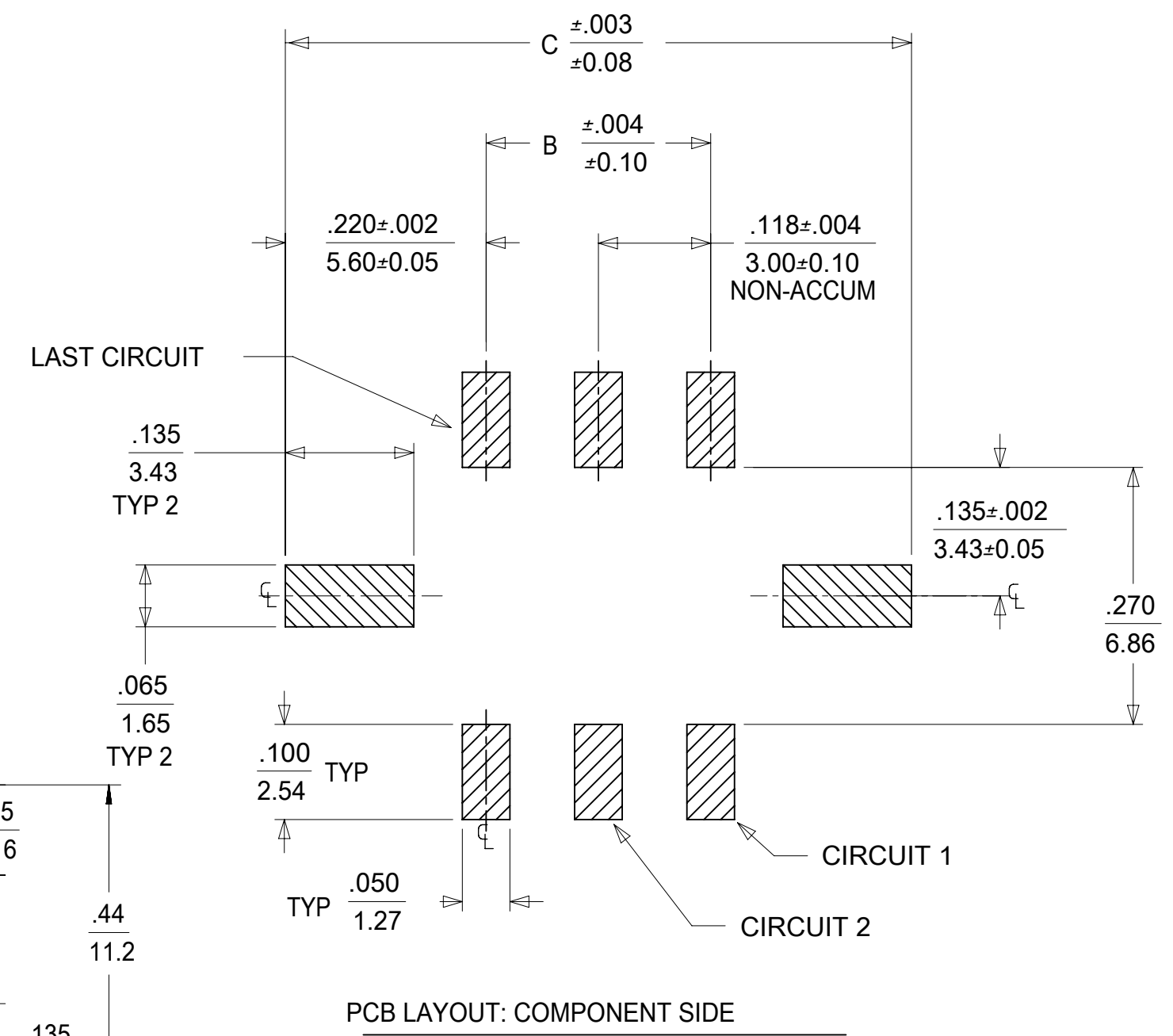
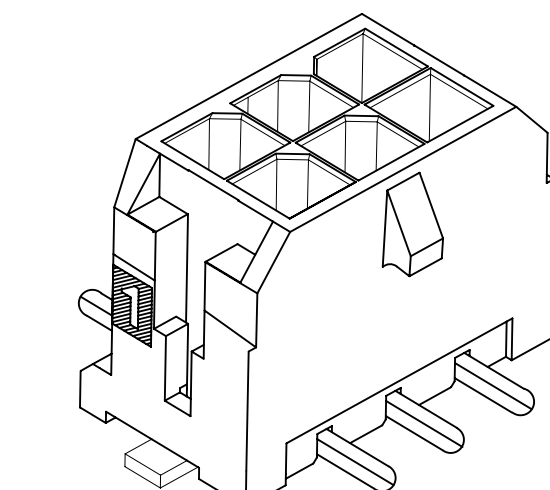
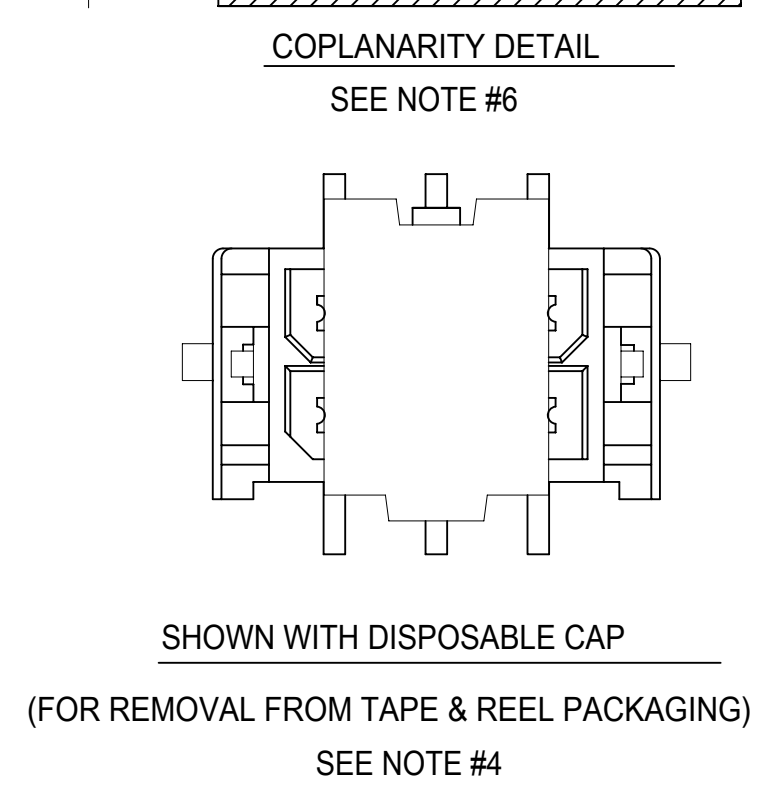
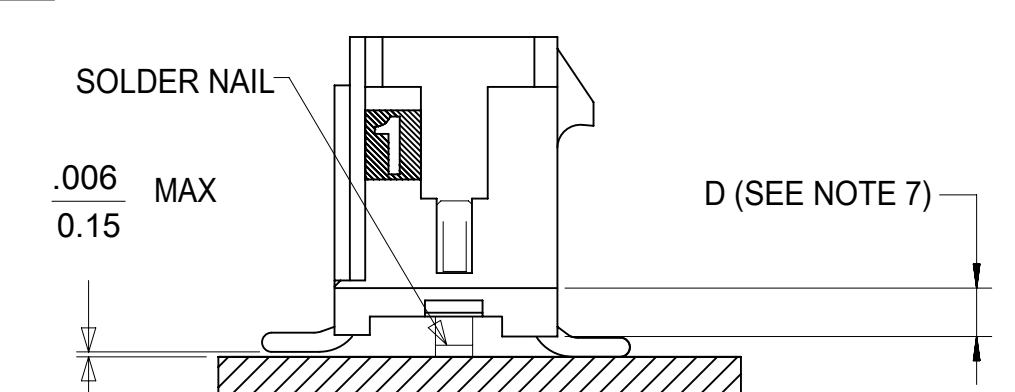


- NOTES:**
- HOUSING MATERIAL: GLASS FILLED LIQUID CRYSTAL POLYMER, UL94V-0, COLOR: BLACK
TERMINAL MATERIAL: BRASS ALLOY
 - FINISH: A = .000060/(0.00152) MIN. REFLOWED MATTE TIN OVER .000050/(0.00127) MIN. NICKEL PLATE. (FINISH IS BRIGHT IN APPEARANCE, THICKNESS AS APPLIED PRIOR TO REFLOW)
B = .000015/(0.00038) MIN. SELECT GOLD IN CONTACT AREA; .000100/(0.00254) MIN. SELECT MATTE TIN ON SOLDER TAILS; BOTH OVER .000050/(0.00127) MIN. NICKEL PLATE.
C = .000030/(0.00076) MIN. SELECT GOLD IN CONTACT AREA; .000100/(0.00254) MIN. SELECT MATTE TIN ON SOLDER TAILS; BOTH OVER .000050/(0.00127) MIN. NICKEL PLATE.
 - PRODUCT SPECIFICATION: PS-43045
 - TAPE AND REEL PACK: SEE MOLEX DRAWING 430450006-PK
NON-STANDARD TAPE (SHALLOW POCKET), NOT ALL CIRCUIT SIZES AVAILABLE, SEE DRAWING SD-43045-007 FOR STANDARD TAPE & PACKAGING
 - MATES WITH MICRO FIT (3.0) RECEPTACLE SERIES 43025
 - THE COPLANARITY DIMENSION IS ESTABLISHED BY PLACING THE ASSEMBLY ON A FLAT SURFACE. THE DISTANCE FROM THAT SURFACE TO THE BOTTOM OF ANY TERMINAL OR SOLDER NAIL MUST NOT EXCEED .006/0.15
 - CIRCUIT SIZES 2-6: "D" IS .265/6.74 FOR .010/0.25 STEP
CIRCUIT SIZES 8-24: "D" IS .063/1.60 FOR .010/0.25 STEP.
 - THIS PART CONFORMS TO CLASS B REQUIREMENTS OF COSMETIC SPECIFICATION PS-45499-002.
 - TEXT ON PART IS FOR REFERENCE ONLY. TEXT AND TEXT LOCATION MAY VARY DEPENDING ON PART NUMBER AND/OR TOOL.



"X" - DENOTES NOT AVAILABLE, CONSULT FACTORY
SEE NOTE #4

	FINISH A	FINISH B	FINISH C
CKTS	MATERIAL NO:	MATERIAL NO:	MATERIAL NO:
02	43045-0239	43045-0243	43045-0237
04	43045-0439	43045-0443	43045-0437
06	X 43045-0639	X 43045-0643	X 43045-0637
08	43045-0839	43045-0843	43045-0837
10	43045-1039	43045-1043	43045-1037
12	43045-1239	43045-1243	43045-1237
14	43045-1439	43045-1443	43045-1437
16	43045-1639	43045-1643	43045-1637
18	X 43045-1839	X 43045-1843	X 43045-1837
20	43045-2039	43045-2043	43045-2037
22	X 43045-2239	X 43045-2243	X 43045-2237
24	X 43045-2439	X 43045-2443	X 43045-2437



CKTS	A	B	C
02	.262 6.65	NA	.441 11.20
04	.380 9.65	.118 3.00	.559 14.20
06	.498 12.65	.236 6.00	.677 17.20
08	.616 15.65	.354 9.00	.795 20.20
10	.734 18.65	.472 12.00	.913 23.20
12	.852 21.65	.591 15.00	1.031 26.20
14	.970 24.65	.709 18.00	1.150 29.20
16	1.088 27.65	.827 21.00	1.268 32.20
18	1.206 30.65	.945 24.00	1.386 35.20
20	1.325 33.65	1.063 27.00	1.504 38.20
22	1.443 36.65	1.181 30.00	1.622 41.20
24	1.561 39.65	1.299 33.00	1.740 44.20

THIS DRAWING CONTAINS INFORMATION THAT IS PROPRIETARY TO MOLEX ELECTRONIC TECHNOLOGIES, LLC AND SHOULD NOT BE USED WITHOUT WRITTEN PERMISSION

DIMENSION UNITS IN/MM	SCALE NTS	CURRENT REV DESC: UPDATE PK SPEC	
GENERAL TOLERANCES (UNLESS SPECIFIED)		EC NO: 611607	
4 PLACES ±	±	DRWN: JEHRISMAN	2019/03/18
3 PLACES ±	± 0.01	CHK'D: SSOUSEK	2019/08/09
2 PLACES ±	0.25 ± 0.014	APPR: FSMITH	2019/08/15
1 PLACE ±	0.36 ±	INITIAL REVISION:	
0 PLACES ±	±	DRWN: SAMIEC	2000/03/15
ANGULAR TOL ± 0.5 °		APPR: EDGLEW	2000/03/15
DRAFT WHERE APPLICABLE MUST REMAIN WITHIN DIMENSIONS	THIRD ANGLE PROJECTION	DRAWING	SERIES
		C-SIZE	43045

molex

MICROFIT(3.0) VERTICAL SMT NAILS SHALLOW TAPE / CAP / DUAL ROW HEADER

PRODUCT CUSTOMER DRAWING

DOCUMENT NUMBER	DOC TYPE	DOC PART	REVISION
SD-43045-012	PSD	001	G3

MATERIAL NUMBER	CUSTOMER	SHEET NUMBER
SEE CHART	GENERAL MARKET	1 OF 1