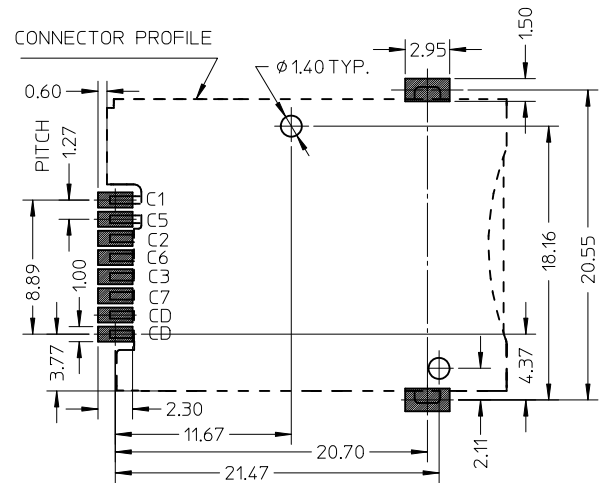
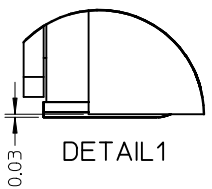
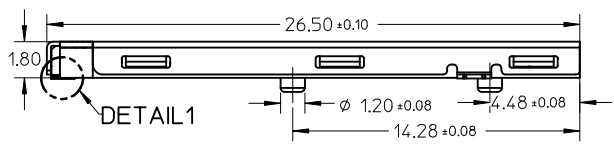
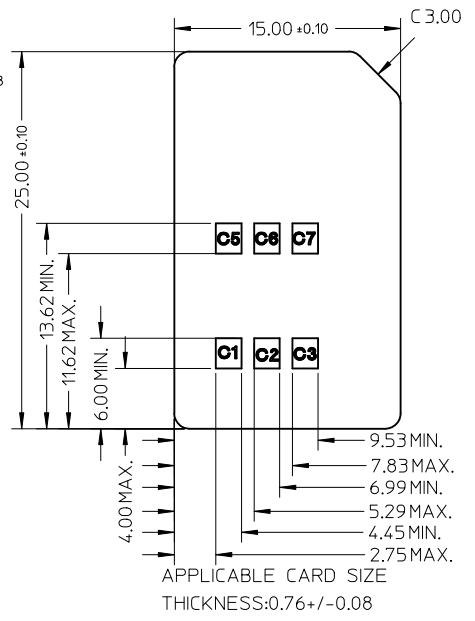
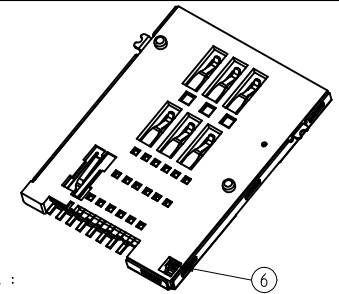


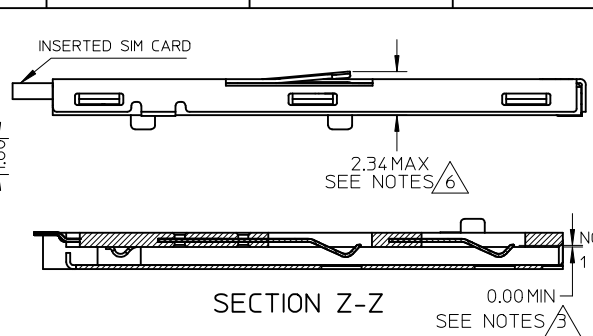
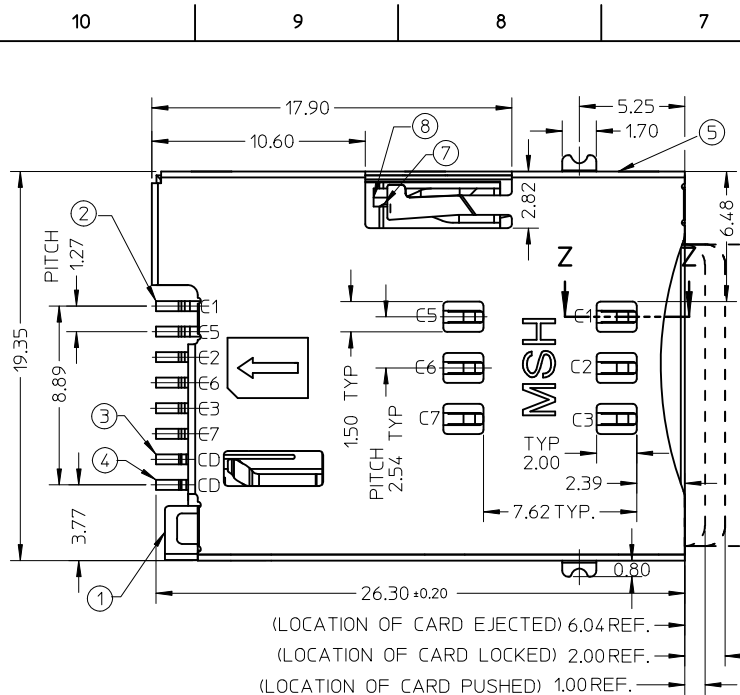
- NOTES:
- 1 FINISH:
 - 1-1 TERMINAL :
 - 50~200μ NICKEL UNDER PLATED
 - 15μ GOLD PLATING ON CONTACT AREA
 - 3μ MIN GOLD FLASH ON SOLDERING AREA
 - 1-2 SHELL :
 - 50~200μ NICKEL UNDER PLATED
 - 3μ MIN GOLD FLASH ON SOLDERING AREA
 - 1-3 DETECT PIN :
 - 50~200μ NICKEL UNDER PLATED
 - 3μ MIN GOLD PLATING ON CONTACT AREA
 - 3μ MIN GOLD PLATING ON SOLDERING AREA
 - 2 SOLDER TAIL COPLANARITY: 0.08MM MAX.
 - 3 TERMINAL TIP MUST SINK INTO HOUSING
 - 4 PRODUCT COMPLIANT TO ROHS DIRECTIVE 2002/95/EC AND ELV DIRECTIVE 2000/53/EC
 - 5 DETECT SWITCH: INSERT CARD=ON (NORMAL=OPEN)
 - 6 SPRING RISE UP DURING PUSH-PUSH PERIOD
 - 7 PACKAGE DRAWING: PK-47553-001
 - 8 PRODUCT SPECIFICATION: PS-47553-201



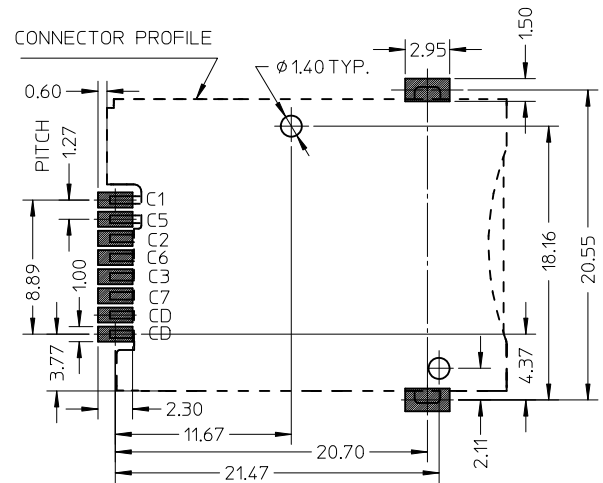
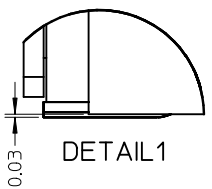
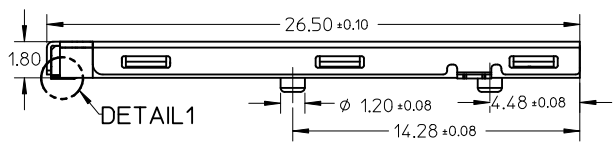
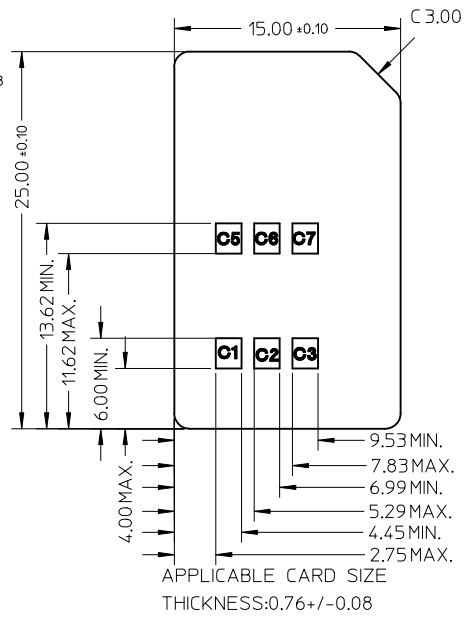
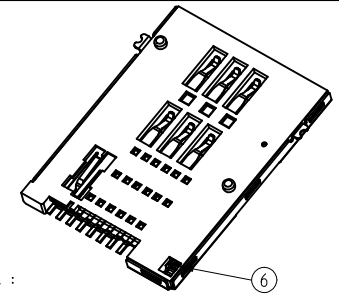
RECOMMENDED PCB LAYOUT TOLERANCE +/-0.05MM

CARD INSERTED		WITHOUT CARD	
NO.	DESCRIPTION	Q'TY	MATERIAL
1	HOUSING	1	HIGH TEMPERATURE THERMOPLASTIC
2	TERMINAL	6	COPPER ALLOY
3	DETECT PIN LOWER	1	COPPER ALLOY
4	DETECT PIN UPPER	1	COPPER ALLOY
5	SHELL	1	STAINLESS STEEL
6	COIL SPRING	1	PIANO WIRE
7	HEART CAM	1	HIGH TEMPERATURE THERMOPLASTIC
8	CAM PIN	1	STAINLESS STEEL

NEW DIM TOL CTRL EC NO: DRW/KHL/IM CHKD: JIAN02 APPR: 2011/05/27	QUALITY SYMBOLS ▽=0 ◁=0	GENERAL TOLERANCES (UNLESS SPECIFIED) <table border="1"> <tr> <th></th> <th>mm</th> <th>INCH</th> </tr> <tr> <td>4 PLACES</td> <td>±---</td> <td>±---</td> </tr> <tr> <td>3 PLACES</td> <td>±---</td> <td>±---</td> </tr> <tr> <td>2 PLACES</td> <td>± 0.15</td> <td>±---</td> </tr> <tr> <td>1 PLACE</td> <td>±---</td> <td>±---</td> </tr> <tr> <td colspan="3">ANGULAR ±---</td> </tr> </table>		mm	INCH	4 PLACES	±---	±---	3 PLACES	±---	±---	2 PLACES	± 0.15	±---	1 PLACE	±---	±---	ANGULAR ±---			DIMENSION STYLE MM ONLY	SCALE NTS	DESIGN UNITS METRIC	THIRD ANGLE PROJECTION
		mm	INCH																					
	4 PLACES	±---	±---																					
	3 PLACES	±---	±---																					
2 PLACES	± 0.15	±---																						
1 PLACE	±---	±---																						
ANGULAR ±---																								
DRAWN BY LHSHEH DATE 2007/07/09	CHECKED BY XUXIANG DATE 2007/08/30	APPROVED BY HWWANG DATE 2007/08/30	MATERIAL NO. 475532001	TITLE PUSH PUSH 6 PINS SIM WITH DETECT PIN&POST SALES DRAWING	MOLEX INCORPORATED	SHEET NO. 1 OF 1																		
DRAFT WHERE APPLICABLE MUST REMAIN WITHIN DIMENSIONS	SIZE A3	THIS DRAWING CONTAINS INFORMATION THAT IS PROPRIETARY TO MOLEX INCORPORATED AND SHOULD NOT BE USED WITHOUT WRITTEN PERMISSION	DOCUMENT NO. SD-47553-201																					



- NOTES:
- 1 FINISH:
 - 1-1 TERMINAL :
 - 50~200μ NICKEL UNDER PLATED
 - 15μ GOLD PLATING ON CONTACT AREA
 - 3μ MIN GOLD FLASH ON SOLDERING AREA
 - 1-2 SHELL :
 - 50~200μ NICKEL UNDER PLATED
 - 3μ MIN GOLD FLASH ON SOLDERING AREA
 - 1-3 DETECT PIN :
 - 50~200μ NICKEL UNDER PLATED
 - 3μ MIN GOLD PLATING ON CONTACT AREA
 - 3μ MIN GOLD PLATING ON SOLDERING AREA
 - 2 SOLDER TAIL COPLANARITY: 0.08MM MAX.
 - 3 TERMINAL TIP MUST SINK INTO HOUSING
 - 4 PRODUCT COMPLIANT TO ROHS DIRECTIVE 2002/95/EC AND ELV DIRECTIVE 2000/53/EC
 - 5 DETECT SWITCH: INSERT CARD=ON (NORMAL=OPEN)
 - 6 SPRING RISE UP DURING PUSH-PUSH PERIOD
 - 7 PACKAGE DRAWING: PK-47553-001
 - 8 PRODUCT SPECIFICATION: PS-47553-201



CARD INSERTED		WITHOUT CARD	
NO.	DESCRIPTION	Q'TY	MATERIAL
1	HOUSING	1	HIGH TEMPERATURE THERMOPLASTIC
2	TERMINAL	6	COPPER ALLOY
3	DETECT PIN LOWER	1	COPPER ALLOY
4	DETECT PIN UPPER	1	COPPER ALLOY
5	SHELL	1	STAINLESS STEEL
6	COIL SPRING	1	PIANO WIRE
7	HEART CAM	1	HIGH TEMPERATURE THERMOPLASTIC
8	CAM PIN	1	STAINLESS STEEL

NEW DIM TOL CTRL EC NO: DRW/KHL/IM CHKD: JIAN02 APPR: 2011/05/27	QUALITY SYMBOLS ▽=0 ◻=0	GENERAL TOLERANCES (UNLESS SPECIFIED)		DIMENSION STYLE MM ONLY		SCALE NTS	DESIGN UNITS METRIC	THIRD ANGLE PROJECTION			
		4 PLACES ± --- ± --- 3 PLACES ± --- ± --- 2 PLACES ± 0.15 ± --- 1 PLACE ± --- ± ---	mm INCH	DRAWN BY LHSHEH	DATE 2007/07/09	TITLE PUSH PUSH 6 PINS SIM WITH DETECT PIN&POST SALES DRAWING					
		ANGULAR ± --- °		CHECKED BY XUXIANG	DATE 2007/08/30	MOLEX INCORPORATED					
		DRAFT WHERE APPLICABLE MUST REMAIN WITHIN DIMENSIONS		APPROVED BY HWWANG	DATE 2007/08/30	MATERIAL NO. 475532001	DOCUMENT NO. SD-47553-201	SHEET NO. 1 OF 1			