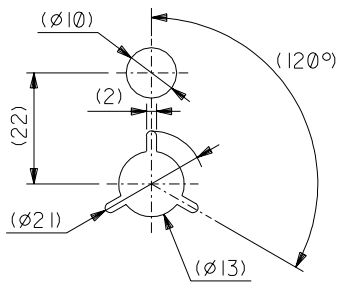
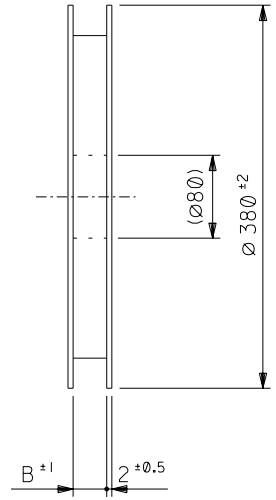
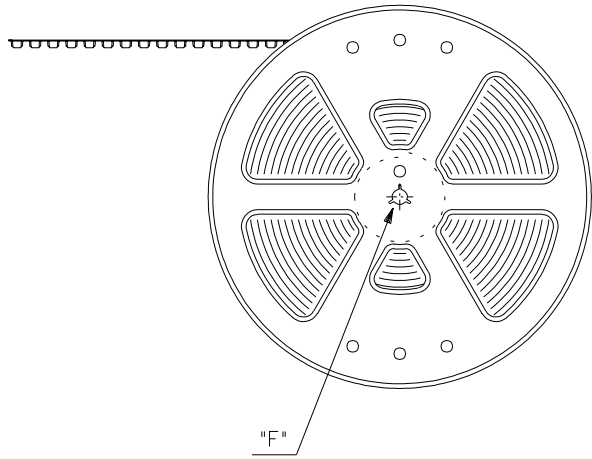




DWG. NO. SD-54546-005

引き出し方向  
PULL OUT  
DIRECTION



DETAIL "F"

注記 NOTES

- 梱包数量：1000個/リール  
NUMBER OF CONNECTORS : 1000PCS/REEL
- リードテープ長さ LEAD TAPE LENGTH
- トップテープの剥離強度：0.1N ~ 0.7N(10.2gf ~ 71.4gf)  
(剥離方向は下図参照)  
尚、本規格値は出荷時に適用。(但し、輸送時に剥離が発生しないこと。)  
PEELING OFF FORCE OF TOP TAPE : 0.1N ~ 0.7N(10.2gf ~ 71.4gf)  
(PEELING DIRECTION AS SHOWN IN FOLLOWING FIG.)  
THIS REQUIREMENT SHOULD BE APPLIED AT SHIPMENT.  
PEEL OFF SHOULD NOT BE ALLOWED , DURING TRANSPORTATION.
- 材料(MATERIAL)  
キャリアテープ(CARRIER TAPE)：ポリプロピレン(POLYPROPYLENE)  
トップテープ(TOP TAPE)：PET, PE, PEF  
リール(REEL)：ポリスチレン(P.S) <リサイクル材を含む>  
POLYSTYREN(P.S) <RECYCLE MATERIAL CONTAINED>

54546-3611	54546-3690	36
↑ -3411	↑ -3490	34
↓ -3211	↓ -3290	32
54546-1411	54546-1490	14
CONNECTOR	MATERIAL NO.	CKT. 極数

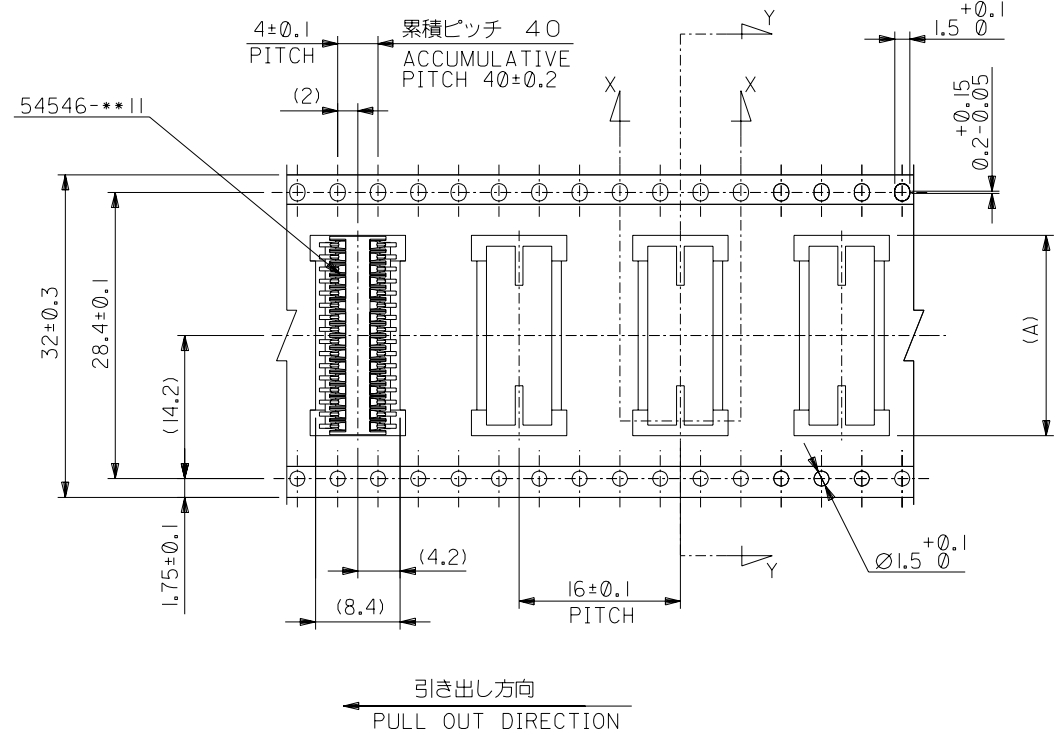
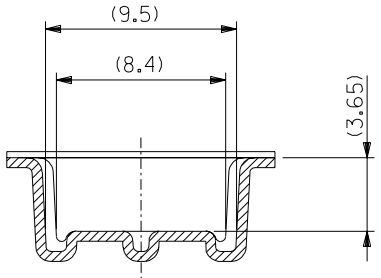
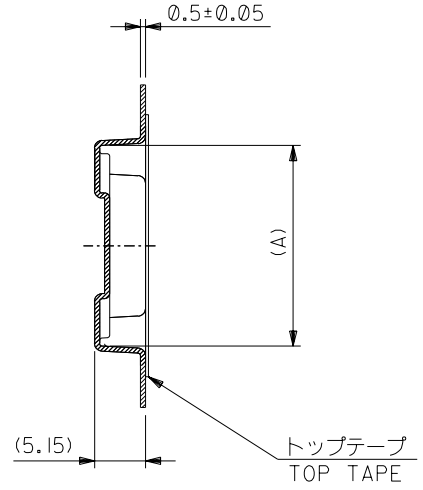
DO NOT SCALE DRAWING

REVISED '02/04/17 DRAWN: T.KAIHO CHK: T.IITO APPR: T.YAMAGUCHI	REVISED '01/2/8 DRAWN: C.OKUYAMA CHK: T.IITO APPR: M.FUKUSHIMA 10/31	REVISED '00/10/30 DRAWN: T.YASUI CHK: T.IITO APPR: M.FUKUSHIMA 10/31	PROPOSED '99/03/18 DRAWN: Y.KANNO CHK: T.S.KUNISHI APPR: M.FUKUSHIMA	MATERIAL 材料 SEE NOTES	GENERAL TOLERANCES: (UNLESS SPECIFIED) 一般公差	SCALE --	DESIGN UNITS <input checked="" type="checkbox"/> mm <input type="checkbox"/> INCH	MODEL NO. 54546-***90	DIMENSIONS: <input type="checkbox"/> mm <input type="checkbox"/> INCH <input checked="" type="checkbox"/> mm ONLY	SHT 1 / 4	REV REVISION ON CAD ONLY
				FINISH 仕上げ //	10 UNDER 未満 ±0.2	10 OVER 以上 30 UNDER 未満 ±0.25	30 OVER 以上 ±0.3	ANGLE 角度 ±3°	DRAWN BY & DATE Y.KANNO '98/11/26	TITLE: I.2 DUAL ONE PIECE Conn Hsg Assy Embstp Pkg	MATERIAL NO. 54546-***90
REVISED '02/04/17 DRAWN: T.KAIHO CHK: T.IITO APPR: T.YAMAGUCHI	REVISED '01/2/8 DRAWN: C.OKUYAMA CHK: T.IITO APPR: M.FUKUSHIMA 10/31	REVISED '00/10/30 DRAWN: T.YASUI CHK: T.IITO APPR: M.FUKUSHIMA 10/31	PROPOSED '99/03/18 DRAWN: Y.KANNO CHK: T.S.KUNISHI APPR: M.FUKUSHIMA	WIRE RANGE 適用層線範囲 //	INS. RANGE 被覆外径 //	CAD FILENAME 54546005.S01		MATERIAL NO. 54546-***90		DRAWING NO. SD-54546-005	

THIS DRAWING CONTAINS INFORMATION THAT IS PROPRIETARY TO MOLEX INCORPORATED AND SHOULD NOT BE USED WITHOUT WRITTEN PERMISSION.

54546005.S01

DWG. NO. SD-54546-005



32	33.5	20	54546-3290	32
キャリアテープ幅 CARRIER TAPE WIDTH	B	(A)	MATERIAL. NO.	極数 CIRCUIT

MODEL NO. 54546-***90	DIMENSIONS:	SHT	REV
SCALE 2:1	DESIGN UNITS	mm INCH	mm ONLY

DRAWN BY & DATE Y.KANNO 98/11/26  
 CHECKED BY & DATE T.ITO 02/04/17  
 APPROVED BY & DATE TO.YAMAGUCHI 02/04/17  
 TITLE: 1.2 DUAL ONE PIECE Conn Hsg Assy Embstp Pkg

MATERIAL NO. 54546-\*\*\*90  
 DRAWING NO. SD-54546-005  
 SHEET NO. 3 / 4

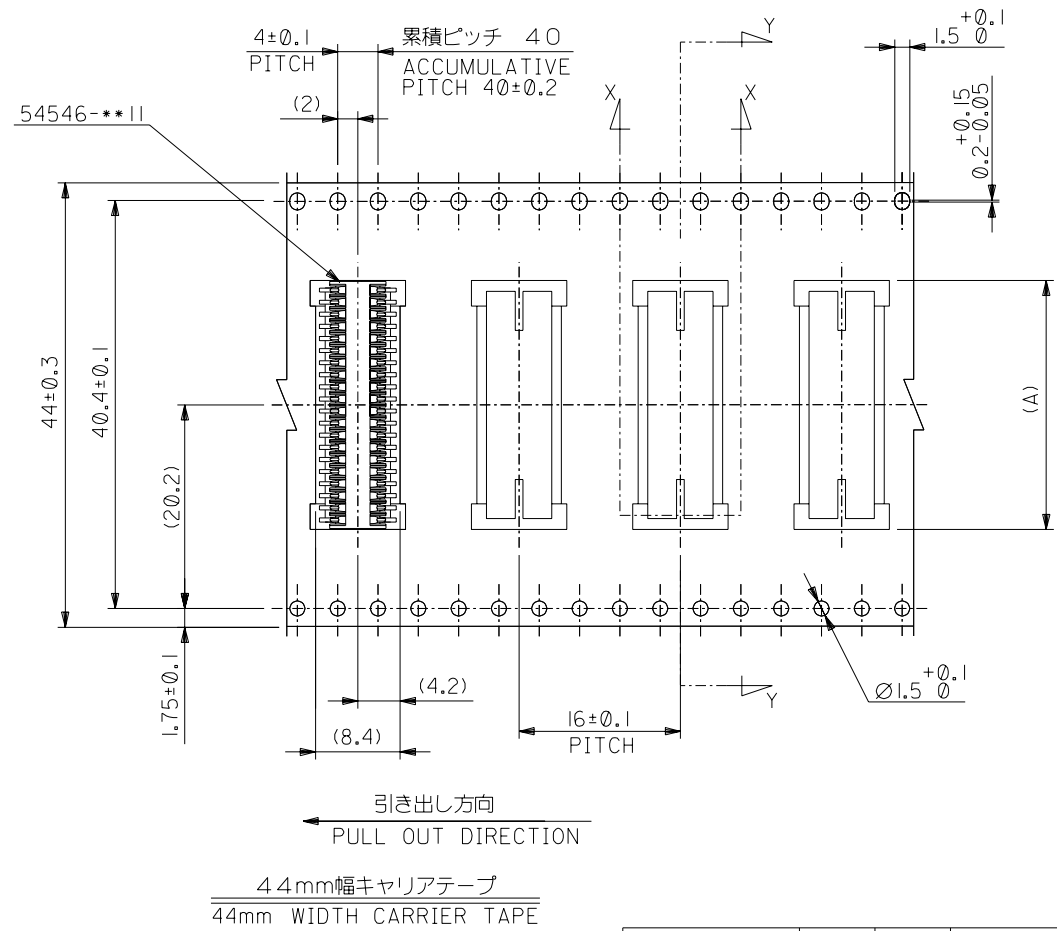
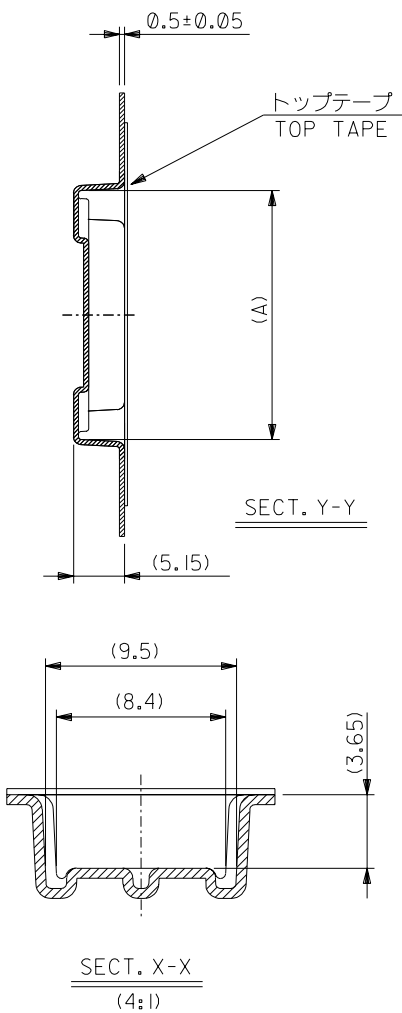
DO NOT SCALE DRAWING	8	7	6	5	4	3	2	1
REVISIONS	C	B	A	PROPOSED				
REVISED 02/04/17	REVISED 01/2/8	REVISED 99/03/18	REVISED 00/10/30	PROPOSED 99/03/18				
DRWN: T.KAIHO	DRWN: C.OKUYAMA	DRWN: Y.KANNO	DRWN: T.YASUI	DRWN: Y.KANNO				
CHK: T.ITO	CHK: T.ITO	CHK: T.S.KUNISHI	CHK: T.ITO	CHK: T.S.KUNISHI				
APPR: TO.YAMAGUCHI	APPR: M.FUKUSHIMA 10/31	APPR: M.FUKUSHIMA	APPR: M.FUKUSHIMA 10/31	APPR: M.FUKUSHIMA				

MATERIAL 材料	SHEET NO.1 参照 SEE SHEET NO.1
FINISH 仕上げ	//
WIRE RANGE 適用層線範囲	//
INS. RANGE 被覆外径	//

GENERAL TOLERANCES: (UNLESS SPECIFIED) 一般公差	10 UNDER 未満	±0.2
	10 OVER 以上 30 UNDER 未満	±0.25
	30 OVER 以上	±0.3
ANGLE 角度		±3°

THIS DRAWING CONTAINS INFORMATION THAT IS PROPRIETARY TO MOLEX INCORPORATED AND SHOULD NOT BE USED WITHOUT WRITTEN PERMISSION.

DWG. NO. SD-54546-005



44	45.5	22.4	54546-3690	36
		21.2	54546-3490	34
キャリアテープ幅 CARRIER TAPE WIDTH	B	(A)	MATERIAL. NO.	極数 CIRCUIT

DO NOT SCALE DRAWING	264NO. DRWN: CH'K: APPR:	REVISED '02/04/17 263NO. J2002-2638 DRWN: T.KAIHO CH'K: T.IITO APPR: T.YAMAGUCHI	REVISED '01/2/8 262NO. JC2001-0651 DRWN: C.OKUYAMA CH'K: T.IITO APPR: M.FUKUSHIMA 10/31	REVISED 261NO. JC2001-0323 DRWN: T.YASUI '00/10/30 CH'K: T.IITO APPR: M.FUKUSHIMA 10/31	PROPOSED '99/03/18 260NO. JC9003 10 DRWN: Y.KANNO CH'K: T.S.KUNISHI APPR: M.FUKUSHIMA
----------------------	--------------------------------	--	---	---	---

MATERIAL 材料	SHEET NO.1 参照 SEE SHEET NO.1
FINISH 仕上げ	//
WIRE RANGE 適用線径範囲	//
INS. RANGE 被覆外径	//

GENERAL TOLERANCES: (UNLESS SPECIFIED) 一般公差	SCALE 2:1	DESIGN UNITS mm INCH
10 UNDER 未満	±0.2	Y.KANNO '98/11/26
10 OVER 以上 30 UNDER 未満	±0.25	CHECKED BY & DATE T.IITO '02/04/17
30 OVER 以上	±0.3	APPROVED BY & DATE TO.YAMAGUCHI '02/04/17
ANGLE 角度	±3°	CAD FILENAME 54546005.S03

MODEL NO. 54546-***90	DIMENSIONS: mm INCH mm ONLY	SHT 4 / 4	REV BEWISE ON CAD ONLY
TITLE: 1.2 DUAL ONE PIECE Conn Hsg Assy Embstp Pkg			
MOLEX MOLEX INCORPORATED			
MATERIAL NO. 54546-***90	DRAWING NO. SD-54546-005	SHEET NO. 4 / 4	
THIS DRAWING CONTAINS INFORMATION THAT IS PROPRIETARY TO MOLEX INCORPORATED AND SHOULD NOT BE USED WITHOUT WRITTEN PERMISSION.			
			SIZE B

DWG. NO. SD-54546-005

F

D

V

C

B

DO NOT SCALE DRAWING

8 7 6 5 4 3 2 1

F

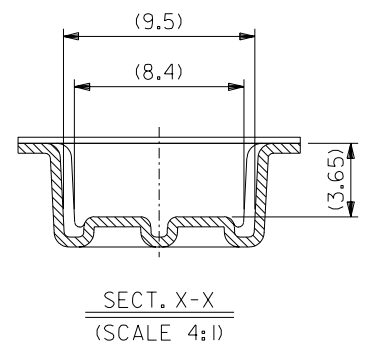
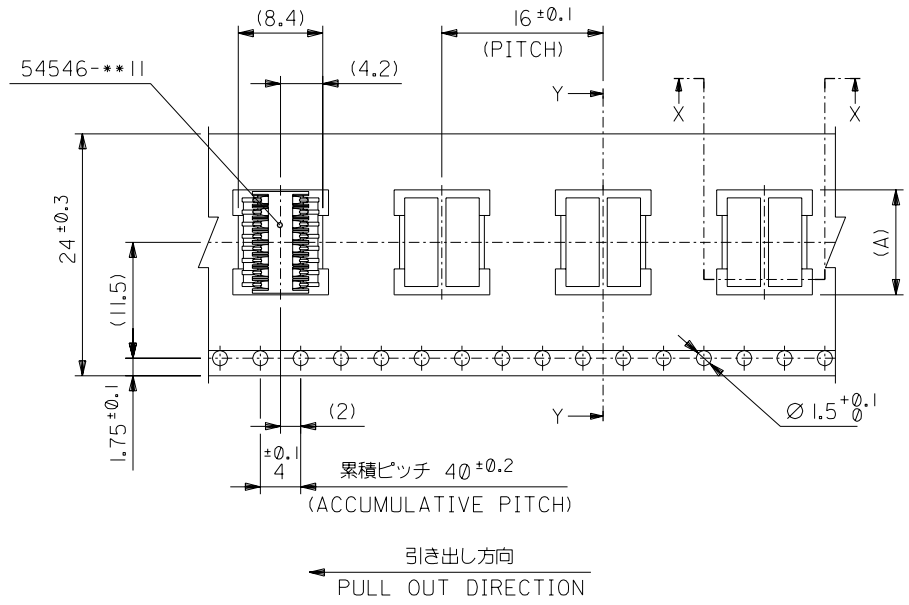
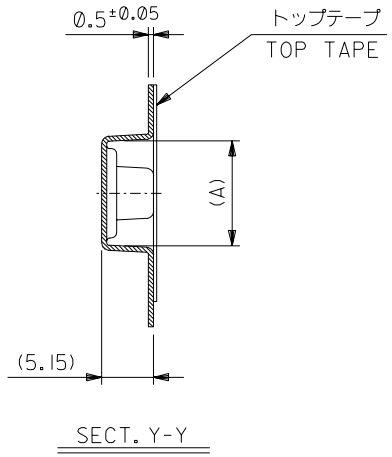
E

D

C

B

A



24	25.5	9.2	54546-1490	14
キャリアテープ幅 CARRIER TAPE WIDTH	B	A	MATERIAL NO.	極数 CIRCUIT
MODEL NO. 54546-**-90		DIMENSIONS:		
SCALE 2:1		DESIGN UNITS		
DRAWN BY & DATE T.YASUI '00/10/30		TITLE: 1.2 DUAL ONE PIECE Conn Hsg Assy Embstp Pkg		
CHECKED BY & DATE T.ITO '02/04/17		APPROVED BY & DATE TO.YAMAGUCHI '02/04/17		
CAD FILENAME 54546005.S04		MATERIAL NO. 54546-**-90	DRAWING NO. SD-54546-005	SHEET NO. 2 / 4
THIS DRAWING CONTAINS INFORMATION THAT IS PROPRIETARY TO MOLEX INCORPORATED AND SHOULD NOT BE USED WITHOUT WRITTEN PERMISSION.				SIZE B

634NO. DRWN: CHK: APPR:	633NO. DRWN: CHK: APPR:	REVISED '02/04/17 62NO. J2002-2638 DRWN: T.KAIHO CHK: T.ITO APPR: TO.YAMAGUCHI	REVISED '01/2/8 61NO. JC2001-0651 DRWN: C.OKUYAMA CHK: T.ITO APPR: M.FUKUSHIMA 10/31	REVISED 60NO. JC2001-0323 DRWN: T.YASUI '00/10/30 CHK: T.ITO APPR: M.FUKUSHIMA 10/31
8	7	C	B	A
MATERIAL 材料 SEE SHEET NO.1 参照 SEE SHEET NO.1				
FINISH 仕上げ //				
WIRE RANGE 適用線径範囲 //				
INS. RANGE 被覆外径 //				

GENERAL TOLERANCES: (UNLESS SPECIFIED) 一般公差	SCALE 2:1	DESIGN UNITS mm INCH	PROJECTION FIRST ANGLE
10 UNDER 未満 0.2	±0.2	DRAWN BY & DATE T.YASUI '00/10/30	TITLE: 1.2 DUAL ONE PIECE Conn Hsg Assy Embstp Pkg
10 OVER 以上 30 UNDER 未満 0.25	±0.25	CHECKED BY & DATE T.ITO '02/04/17	APPROVED BY & DATE TO.YAMAGUCHI '02/04/17
30 OVER 以上 0.3	±0.3	CAD FILENAME 54546005.S04	MATERIAL NO. 54546-**-90
ANGLE 角度 3°	±3°	DRAWING NO. SD-54546-005	SHEET NO. 2 / 4

REV	DESCRIPTION
1	//
2	//
3	//