

MATERIALS AND FINISHES:

BODY ZINC ALLOY  
SEE TABLE

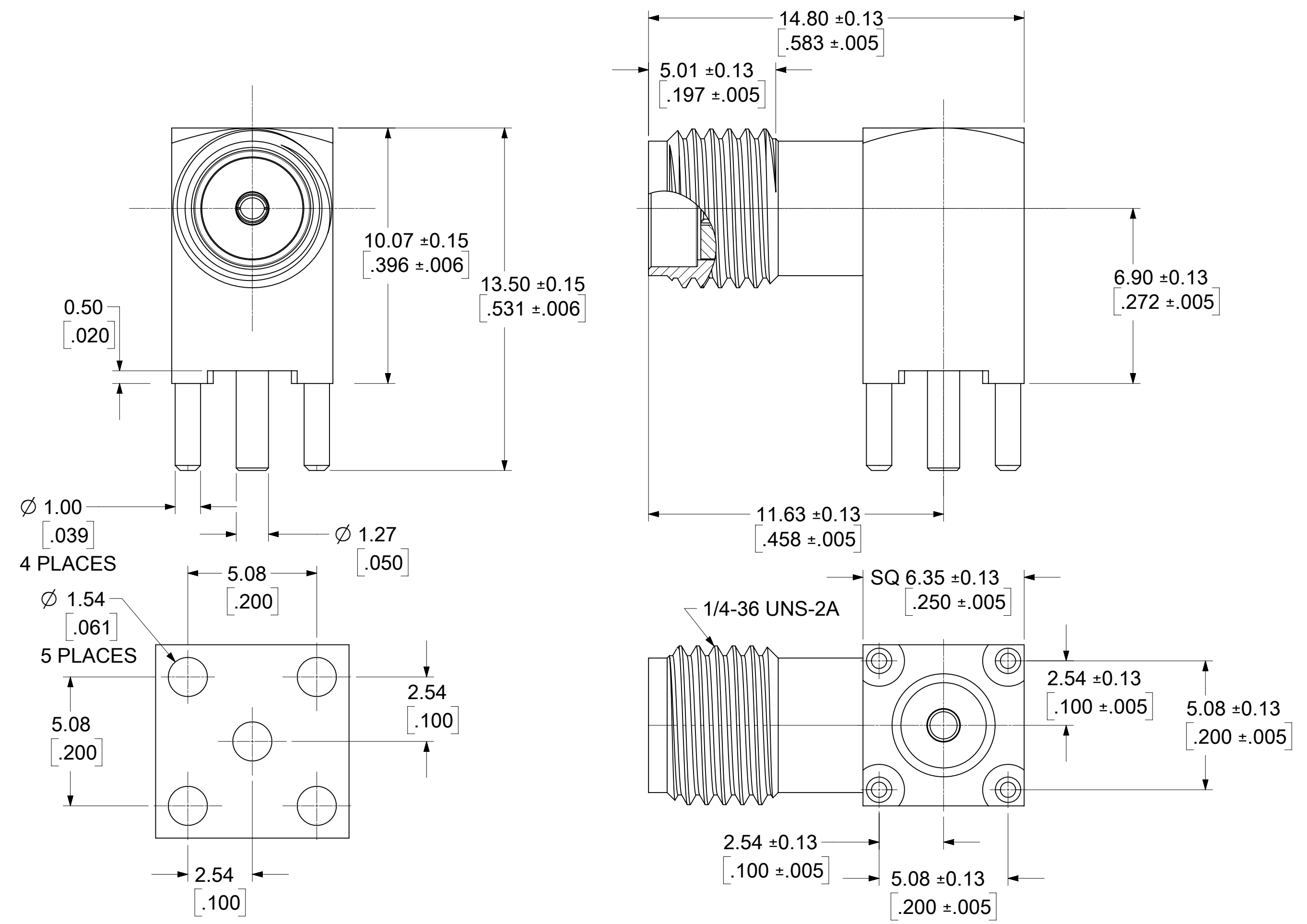
INSULATOR TEFLON

CONTACT (MATING END) BERYLLIUM COPPER  
PLATED GOLD

CONTACT (PCB END) BRASS  
PLATED GOLD

COVER BRASS  
SEE TABLE

PACKAGING SEE TABLE



73391-0085	BODY, PIN, AND COVER PLATED GOLD 1u" MIN	73391-0083 BAG (500 SET.)
73391-0084	BODY, AND COVER PLATED NICKEL	73391-0080 BAG (500 SET.)
73391-0083	BODY, PIN, AND COVER PLATED GOLD 1u" MIN	73391-0083 TRAY (80 CAV.)
73391-0082	BODY, AND COVER PLATED NICKEL	73391-0080 TRAY (20 CAV.)
73391-0081	BODY, PIN, AND COVER PLATED GOLD 10u" MIN	73391-0081 TRAY (80 CAV.)
73391-0080	BODY, AND COVER PLATED NICKEL	73391-0080 TRAY (80 CAV.)
PART NO.	DESCRIPTION	PACHAGING

PS-73598-0111	SPECIFICATION
MIL-STD-348A, FIG. 310.1	INTERFACE
SPECIFICATION	DESCRIPTION

FUNCTIONAL SYMBOLS	THIS DRAWING CONTAINS INFORMATION THAT IS PROPRIETARY TO MOLEX ELECTRONIC TECHNOLOGIES, LLC AND SHOULD NOT BE USED WITHOUT WRITTEN PERMISSION	CURRENT REV DESC:		<b>molex</b>
	DIMENSION UNITS	SCALE	EWR-14242-A ADDED -0084 & -0085 PART NO	
FA = 0	MM/INCH	NTS	EC NO: 653474	SMA JACK R/A PCB TH 50 OHMS SMA-J/PCB
EA = 0	GENERAL TOLERANCES (UNLESS SPECIFIED)		DRWN: JSU18 2020/12/17	
EP = 0	ANGULAR TOL ± 2.0°		CHK'D: YCHENG 2021/02/09	PRODUCT CUSTOMER DRAWING
DIVISIONAL SYMBOLS		4 PLACES ±	APPR: YCHENG 2021/02/09	
		3 PLACES ±	INITIAL REVISION:	DOCUMENT NUMBER
		2 PLACES ±	DRWN: RFC_PLMIMP 2018/01/09	
		1 PLACE ±	APPR: MHUANG 2006/08/29	DOC TYPE
		0 PLACES ±	THIRD ANGLE PROJECTION	DOC PART
DRAFT WHERE APPLICABLE MUST REMAIN WITHIN DIMENSIONS		DRAWING	SERIES	REVISION
		C-SIZE	73391	PSD 001 A8
		MATERIAL NUMBER	CUSTOMER	SHEET NUMBER
		SEE TABLE	GENERAL MARKET	1 OF 1