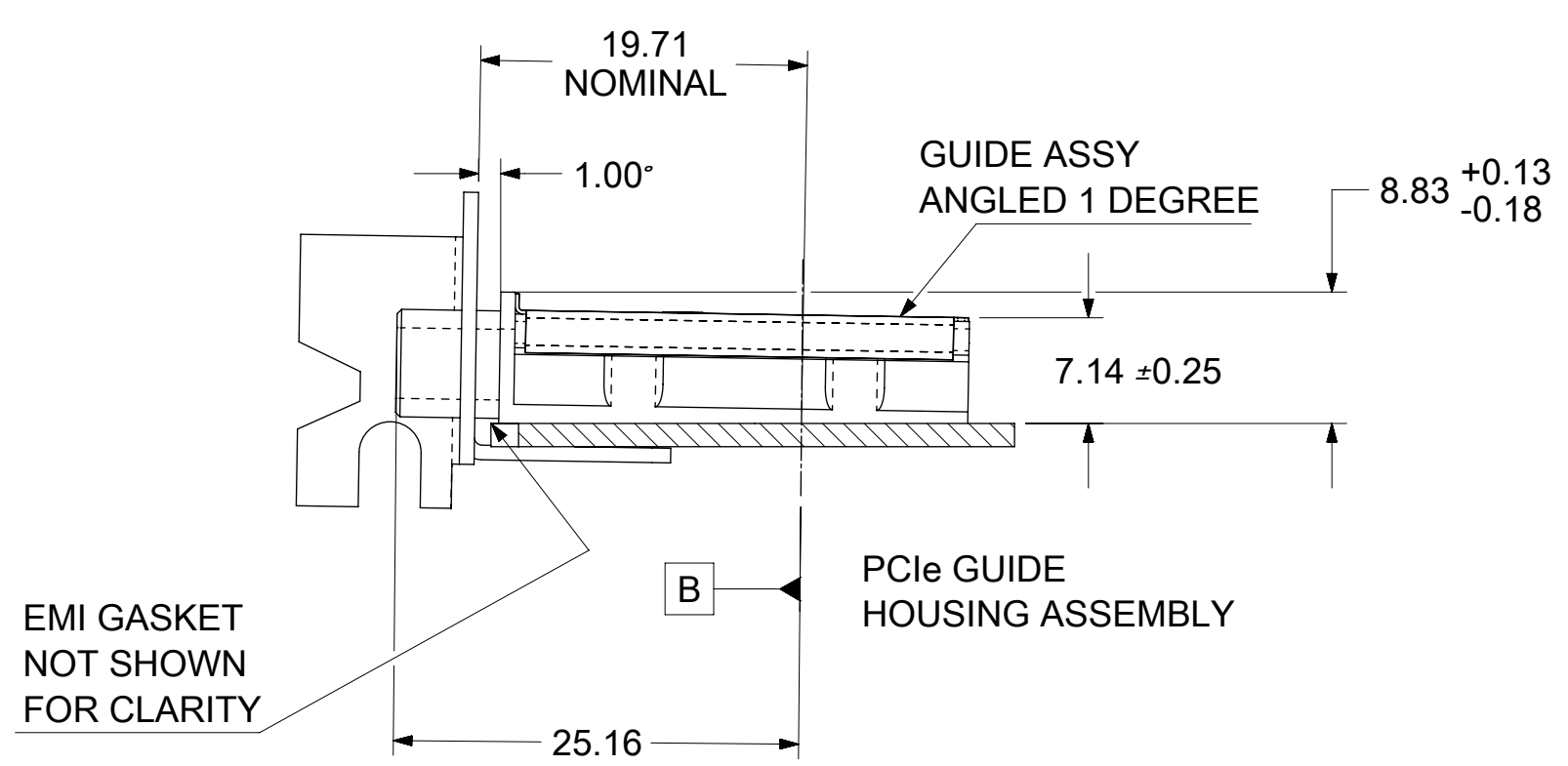


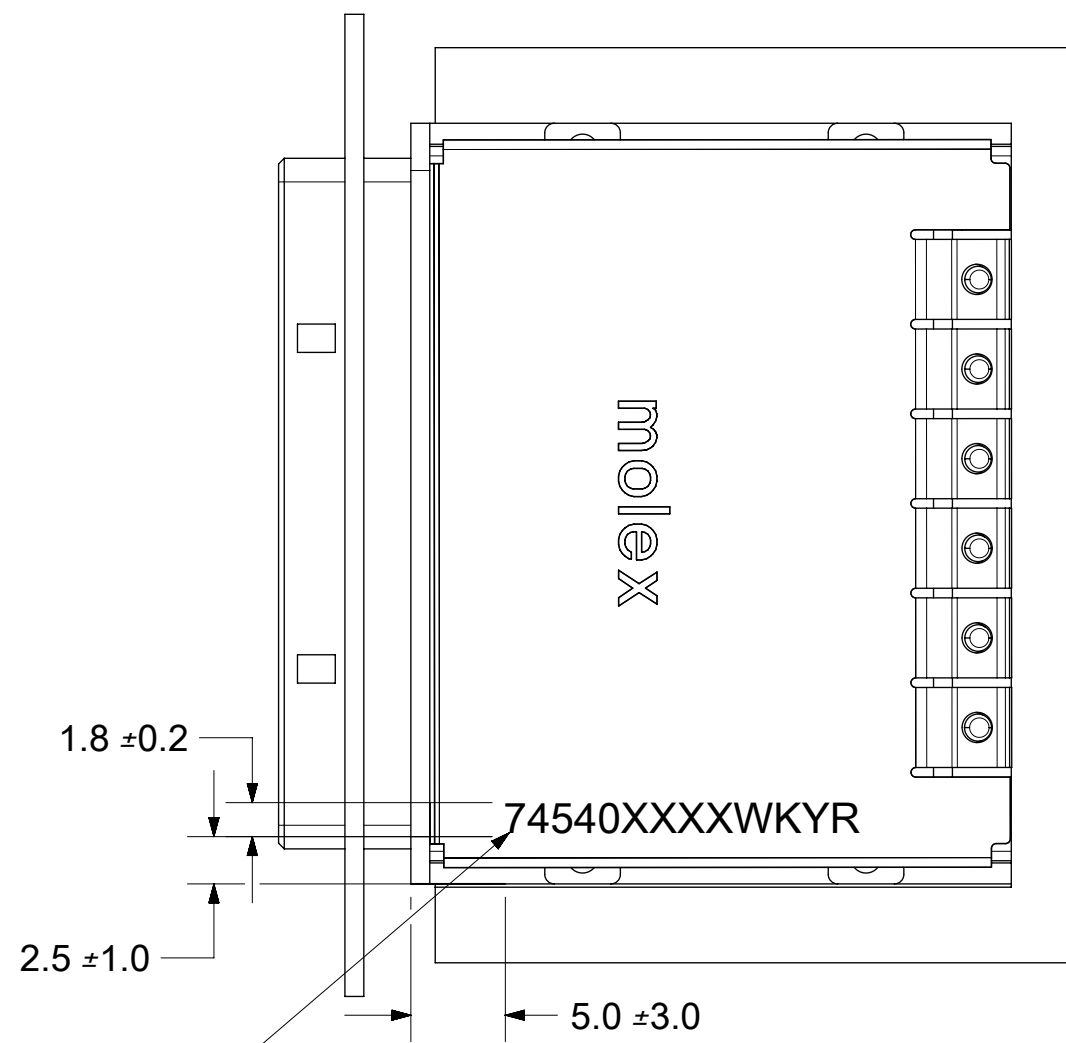
- NOTES:
1. REF. PCI EXPRESS CARD ELECTROMECHANICAL SPECIFICATION, REV 1.0a FOR IO BRACKET WINDOW LOCATION.
 2. PCB AND IO BRACKET SHOWN FOR REFERENCE ONLY.
 3. REFER TO SHEET 2 FOR ATCA GUIDE HOUSING ASSY. SEE SHEET 3 FOR SCREEN LENGTH + TORQUE SPEC.
 4. GUIDE HOUSING MOUNTING THREAD= M2 X 0.4
 5. PCB NOTCH IS SHOWN FOR PCI COMPLIANT BOARD.
 6. THIS PRODUCT MEETS THE RESTRICTIONS OF HAZARDOUS SUBSTANCES IN ELECTRICAL AND ELECTRONIC EQUIPMENT (RoHS) DIRECTIVE (2002/95/EC)
 7. PLATE GROUND PAD WITH EMERSION SILVER OR GOLD.
 8. MATES WITH MOLEX 8X CABLE SERIES 74546-080X.
 9. GUIDE HOUSING PEGS FOR ALIGNMENT ONLY. "DO NOT SOLDER"

PCIe EXPANSION CARD APPLICATION SHOWN USING 1 DEGREE GUIDE HOUSING ASSEMBLY



iPass™ is a trademark of Molex

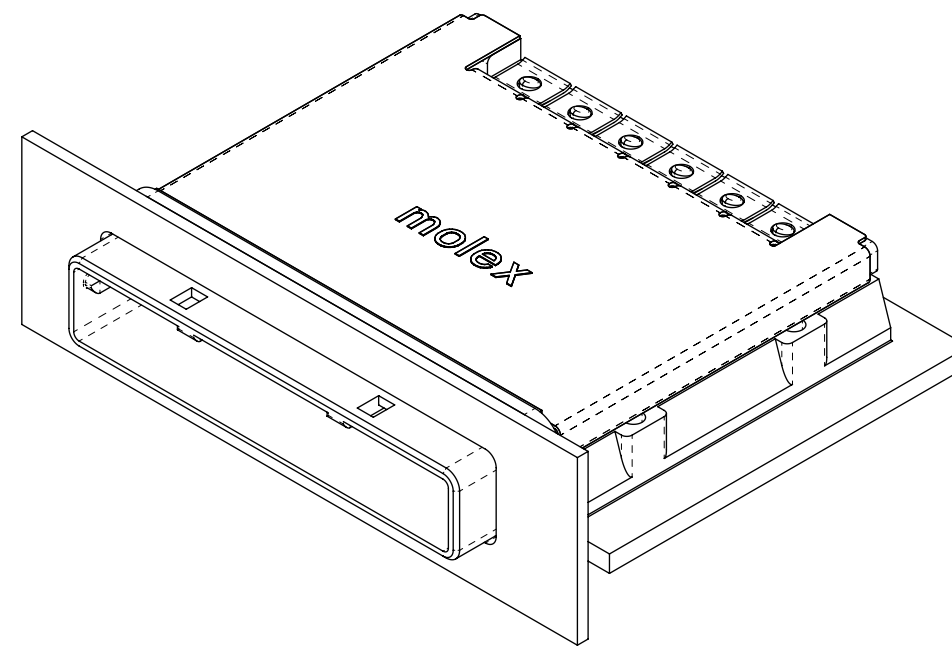
THIS DRAWING CONTAINS INFORMATION THAT IS PROPRIETARY TO MOLEX ELECTRONIC TECHNOLOGIES, LLC AND SHOULD NOT BE USED WITHOUT WRITTEN PERMISSION																																																			
DIMENSION UNITS		SCALE		CURRENT REV DESC: OBSOLETE PART NO																																															
mm		2:1		<table border="0"> <tr> <td colspan="2">GENERAL TOLERANCES (UNLESS SPECIFIED)</td> <td colspan="2">EC NO: 625872</td> <td colspan="2">2019/06/18</td> </tr> <tr> <td colspan="2">ANGULAR TOL ± 0.5°</td> <td colspan="2">DRWN: AKUMAR19</td> <td colspan="2">2019/11/06</td> </tr> <tr> <td colspan="2">4 PLACES ±</td> <td colspan="2">CHK'D: GB</td> <td colspan="2">2019/11/12</td> </tr> <tr> <td colspan="2">3 PLACES ±</td> <td colspan="2">APPR: GGA</td> <td colspan="2"></td> </tr> <tr> <td colspan="2">2 PLACES ± 0.05</td> <td colspan="2">INITIAL REVISION:</td> <td colspan="2"></td> </tr> <tr> <td colspan="2">1 PLACE ± 0.1</td> <td colspan="2">DRWN: NMUTHARAYAPP</td> <td colspan="2">2018/12/13</td> </tr> <tr> <td colspan="2">0 PLACES ±</td> <td colspan="2">APPR: RCHEN08</td> <td colspan="2">2019/01/15</td> </tr> </table>						GENERAL TOLERANCES (UNLESS SPECIFIED)		EC NO: 625872		2019/06/18		ANGULAR TOL ± 0.5°		DRWN: AKUMAR19		2019/11/06		4 PLACES ±		CHK'D: GB		2019/11/12		3 PLACES ±		APPR: GGA				2 PLACES ± 0.05		INITIAL REVISION:				1 PLACE ± 0.1		DRWN: NMUTHARAYAPP		2018/12/13		0 PLACES ±		APPR: RCHEN08		2019/01/15	
GENERAL TOLERANCES (UNLESS SPECIFIED)		EC NO: 625872								2019/06/18																																									
ANGULAR TOL ± 0.5°		DRWN: AKUMAR19								2019/11/06																																									
4 PLACES ±		CHK'D: GB								2019/11/12																																									
3 PLACES ±		APPR: GGA																																																	
2 PLACES ± 0.05		INITIAL REVISION:																																																	
1 PLACE ± 0.1		DRWN: NMUTHARAYAPP		2018/12/13																																															
0 PLACES ±		APPR: RCHEN08		2019/01/15																																															
PRODUCT CUSTOMER DRAWING				DOCUMENT NUMBER		DOC TYPE		DOC PART																																											
				745400100		PSD		ASY R1																																											
DRAFT WHERE APPLICABLE MUST REMAIN WITHIN DIMENSIONS				THIRD ANGLE PROJECTION		DRAWING		SERIES																																											
				C-SIZE		74540		MATERIAL NUMBER																																											
				SEE TABLE		CUSTOMER		SHEET NUMBER																																											
								1 OF 4																																											



P/N AND WEEK/YEAR DATE CODE TO BE PRINTED ON THE TOP OF COMPLETED CAGE ASSEMBLY AS SHOWN. SEE TABLE BELOW FOR DATE CODE INFORMATION.

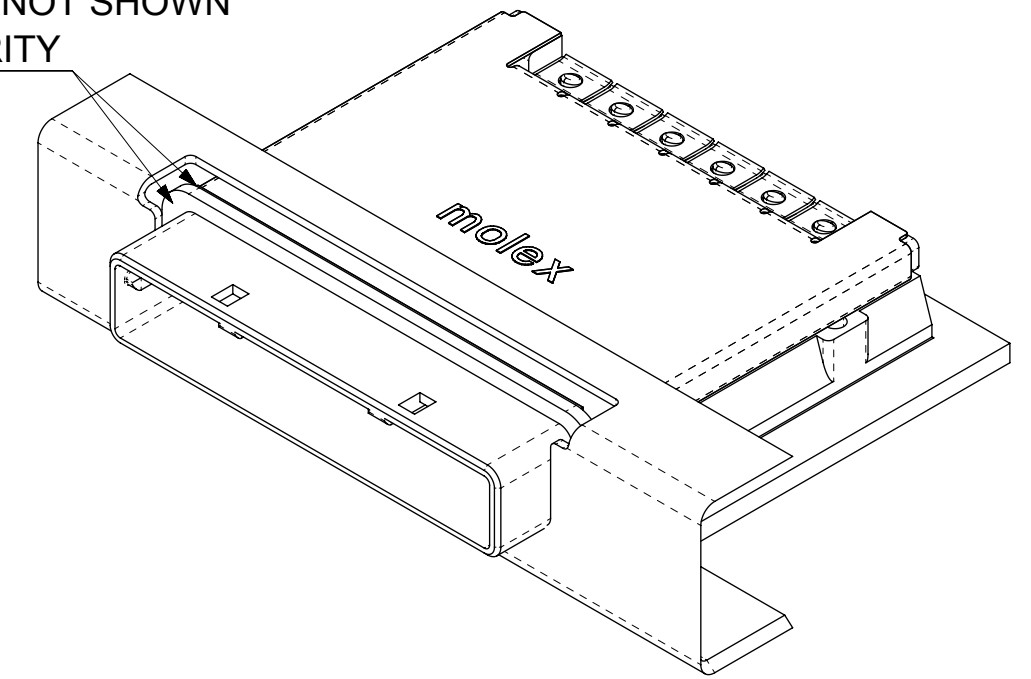
WEEK/YEAR DATE CODE TABLE

WK	WEEK OF THE YEAR 01 THRU 52 (EXAMPLE: 01= FIRST WEEK OF YEAR 52= LAST WEEK OF YEAR)
YR	19, 20, 21,, ETC.. (EXAMPLE: YEAR 2019= 19)

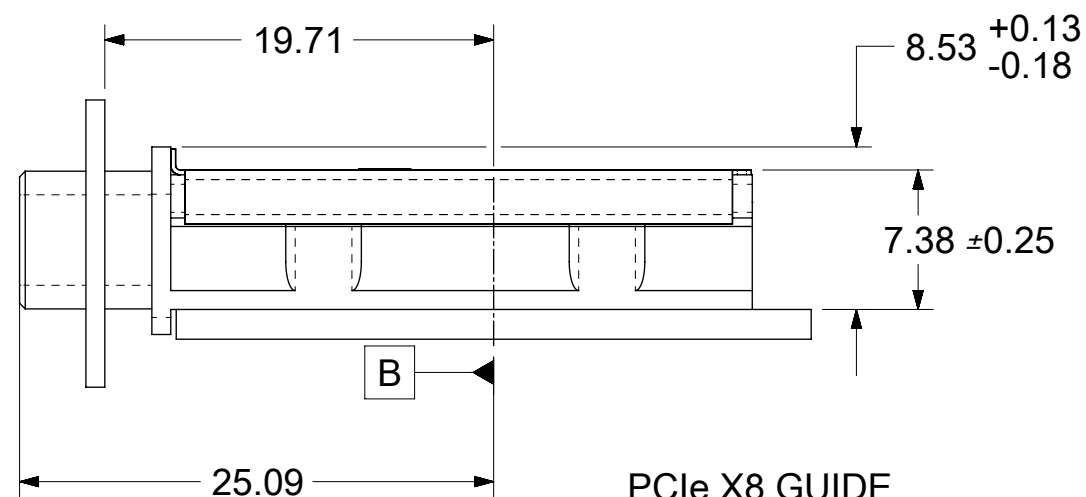
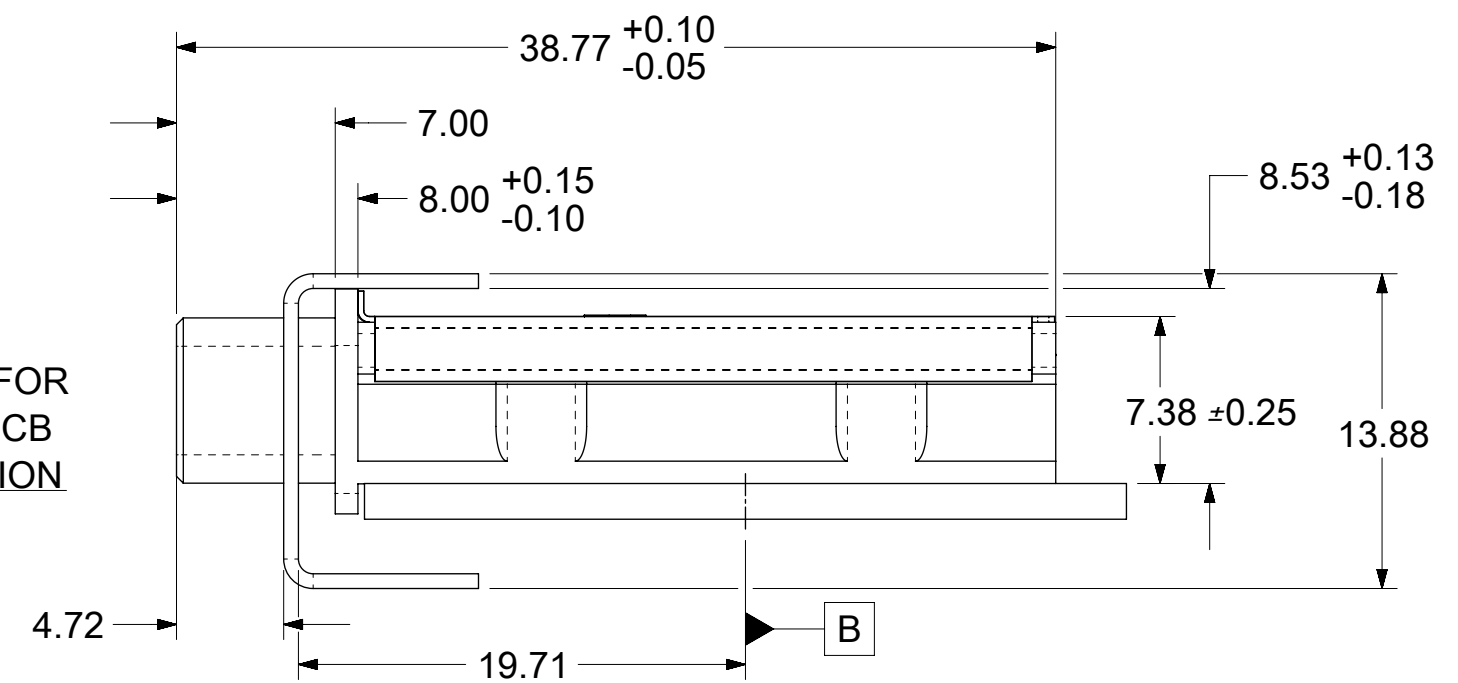
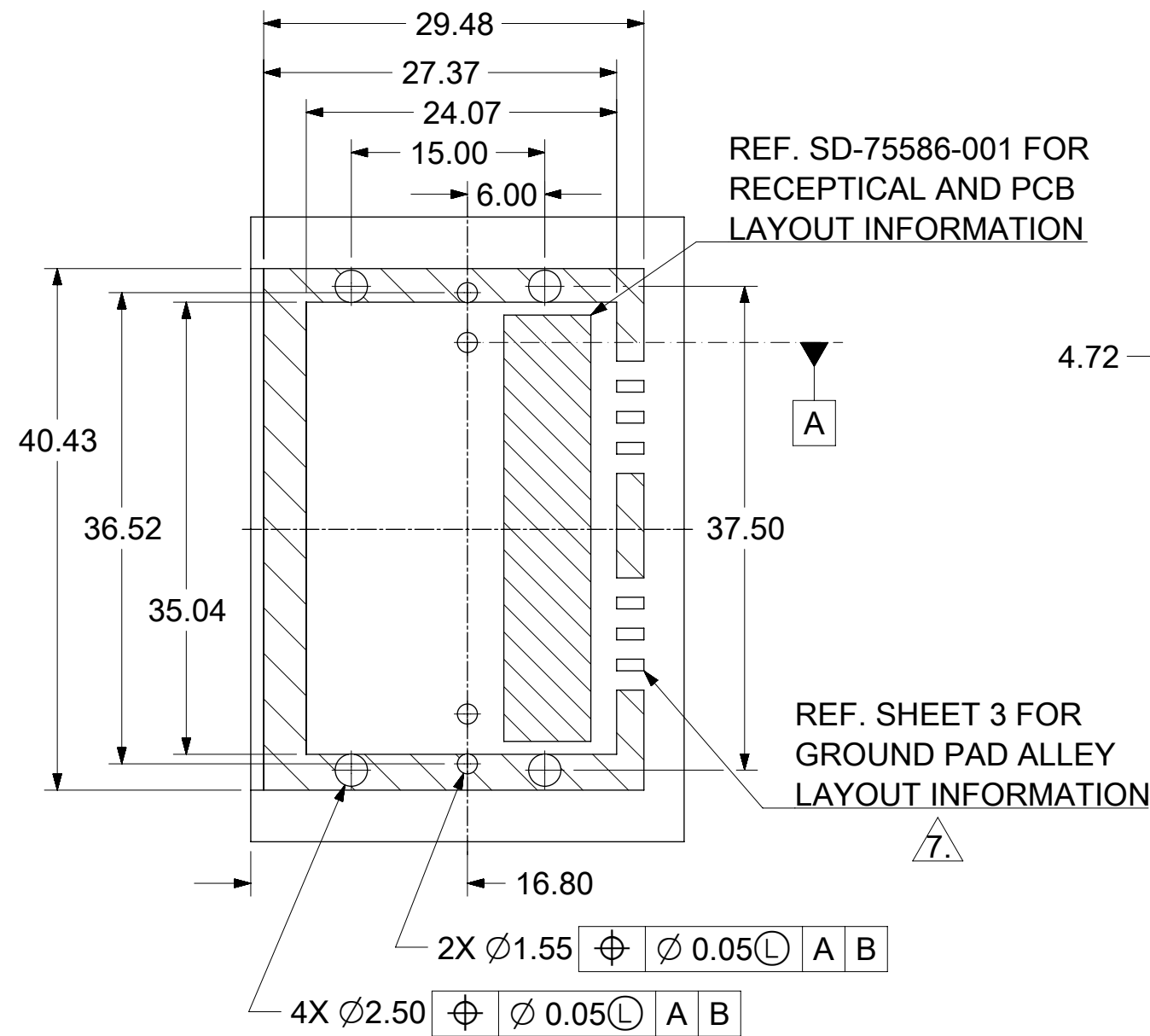


STANDARD APPLICATION SHOWN USING 0 DEG GUIDE HOUSING ASSEMBLY

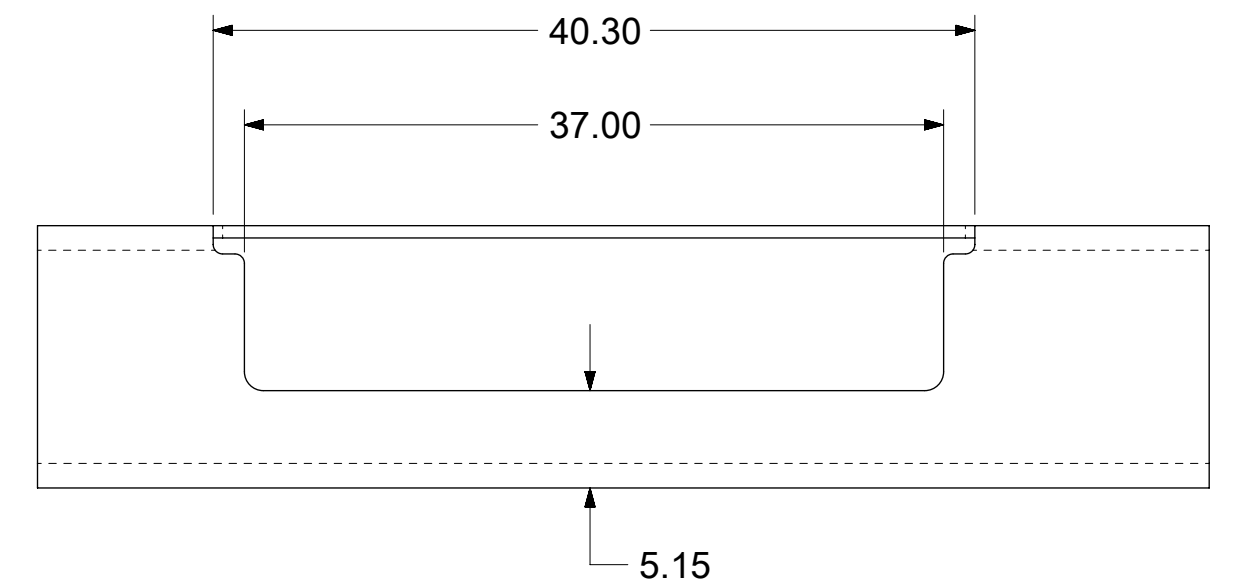
GASKETS NOT SHOWN FOR CLARITY



ADVANCED TCA APPLICATION USING 0 DEG GUIDE HOUSING ASSEMBLY



PCIe X8 GUIDE HOUSING ASSEMBLY

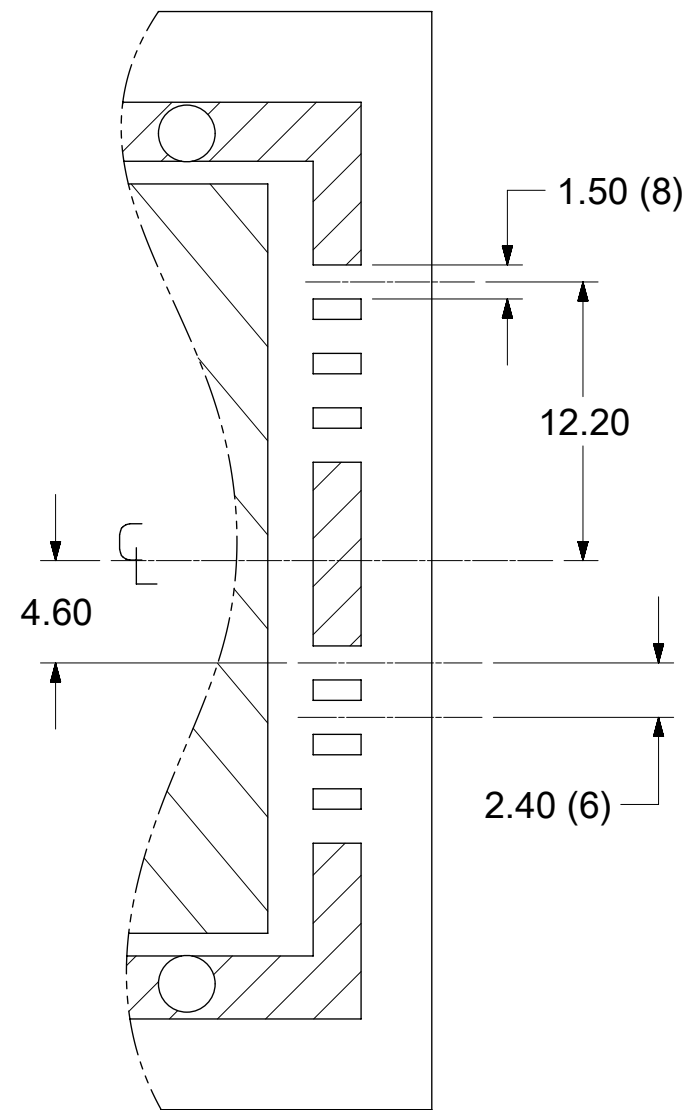


iPass™ is a trademark of Molex

THIS DRAWING CONTAINS INFORMATION THAT IS PROPRIETARY TO MOLEX ELECTRONIC TECHNOLOGIES, LLC AND SHOULD NOT BE USED WITHOUT WRITTEN PERMISSION		CURRENT REV DESC: OBSOLETE PART NO		molex	
DIMENSION UNITS mm	SCALE 1:1	EC NO: 625872 DRWN: AKUMAR19 2019/06/18 CHK'D: GB 2019/11/06 APPR: GGA 2019/11/12			
GENERAL TOLERANCES (UNLESS SPECIFIED)		INITIAL REVISION:		I-PASS X8 EMI GUIDE HOUSING ASSEMBLY	
ANGULAR TOL	± 0.5°	DRWN: NMUTHARAYAPP 2018/12/13 APPR: RCHEN08 2019/01/15		PRODUCT CUSTOMER DRAWING	
4 PLACES	±	DRAFT WHERE APPLICABLE MUST REMAIN WITHIN DIMENSIONS		DOCUMENT NUMBER 745400100	
3 PLACES	±	THIRD ANGLE PROJECTION		DOC TYPE PSD	DOC PART ASY
2 PLACES	± 0.05	DRAWING C-SIZE		SERIES 74540	REVISION R1
1 PLACE	± 0.1	MATERIAL NUMBER SEE TABLE		CUSTOMER	SHEET NUMBER 2 OF 4
0 PLACES	±	SHEET NUMBER 2 OF 4			

MOLEX P/N	DESCRIPTION	GEN
745400205	8x EMI Guide Housing Assembly - W/O Gasket - ATCA / 0 Deg	Gen 1

PCB THICKNESS	SCREW LENGTH	TORQUE(IN LBS)
1.6	5MM	2.3
2.38	6MM	2.3
3.2	6MM	2.3
	+4MM MAX	2.3

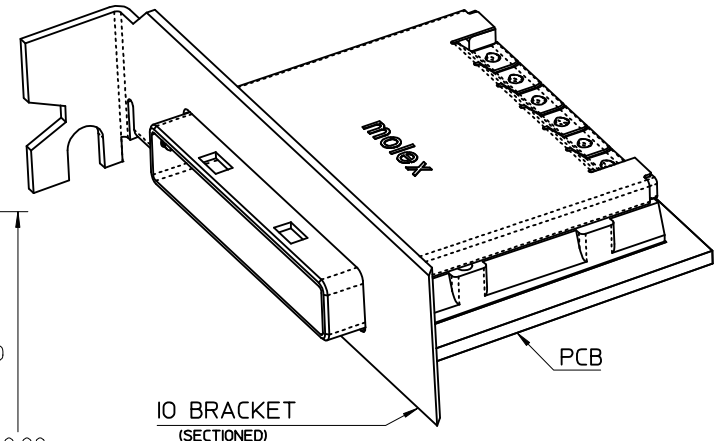
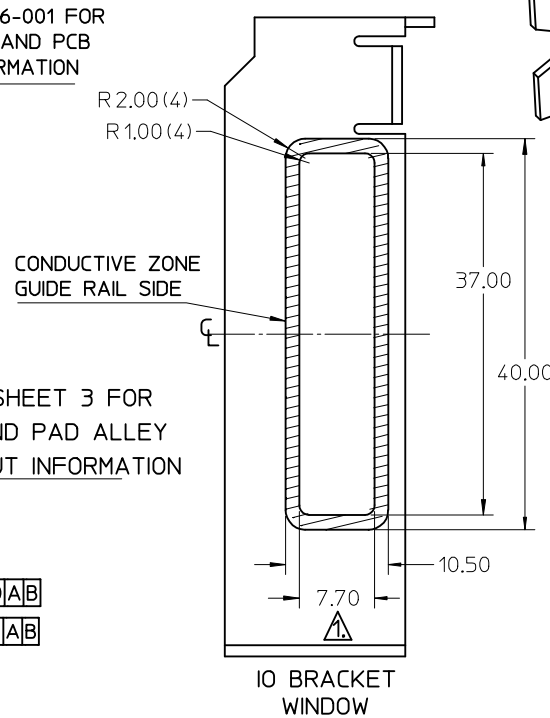
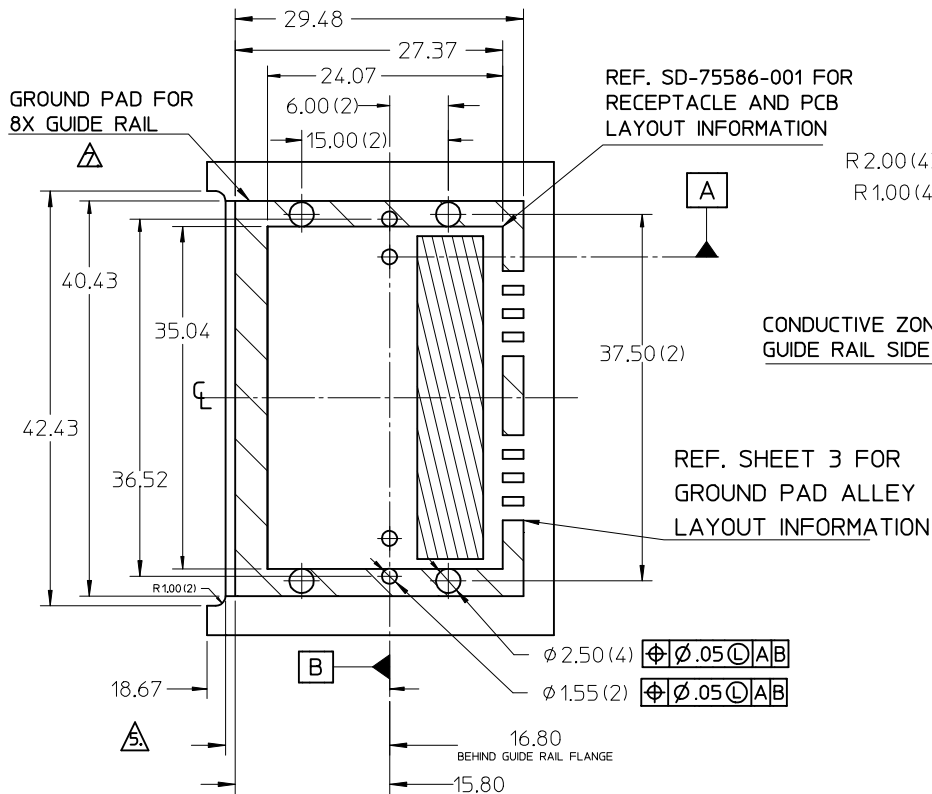


PARTIAL1
SCALE 2:1
GROUND PAD ALLEY
LAYOUT INFORMATION



THIS DRAWING CONTAINS INFORMATION THAT IS PROPRIETARY TO MOLEX ELECTRONIC TECHNOLOGIES, LLC AND SHOULD NOT BE USED WITHOUT WRITTEN PERMISSION									
DIMENSION UNITS		SCALE		CURRENT REV DESC: OBSOLETE PART NO				molex	
mm		1:1							
GENERAL TOLERANCES (UNLESS SPECIFIED)				EC NO: 625872				I-PASS X8 EMI GUIDE HOUSING ASSEMBLY	
ANGULAR TOL ± 0.5°				DRWN: AKUMAR19 2019/06/18					
4 PLACES ±				CHK'D: GB 2019/11/06				PRODUCT CUSTOMER DRAWING	
3 PLACES ±				APPR: GGA 2019/11/12					
2 PLACES ± 0.05				INITIAL REVISION:				DOCUMENT NUMBER	
1 PLACE ± 0.1				DRWN: NMUTHARAYAPP 2018/12/13					
0 PLACES ±				APPR: RCHEN08 2019/01/15				745400100	
DRAFT WHERE APPLICABLE MUST REMAIN WITHIN DIMENSIONS		THIRD ANGLE PROJECTION		DRAWING		SERIES		MATERIAL NUMBER	
				C-SIZE		74540		SEE TABLE	
								CUSTOMER	
								SHEET NUMBER	
								3 OF 4	

DOCUMENT STATUS	P1	RELEASE DATE	2019/11/12 07:19:34
-----------------	----	--------------	---------------------



PCIe EXPANSION CARD APPLICATION SHOWN USING 1 DEGREE GUIDE HOUSING ASSEMBLY

- NOTES:
- REF. PCI EXPRESS CARD ELECTROMECHANICAL SPECIFICATION, REV 1.0a FOR IO BRACKET WINDOW LOCATION.
 - PCB AND IO BRACKET SHOWN FOR REFERENCE ONLY.
 - REFER TO SHEET 2 FOR ATCA GUIDE HOUSING ASSY. SEE SHEET 3 FOR SCREEN LENGTH + TORQUE SPEC.
 - GUIDE HOUSING MOUNTING THREAD- M2 X 0.4
 - PCB NOTCH IS SHOWN FOR PCI COMPLIANT BOARD.
 - THIS PRODUCT MEETS THE RESTRICTIONS OF HAZARDOUS SUBSTANCES IN ELECTRICAL AND ELECTRONIC EQUIPMENT (RoHS) DIRECTIVE (2002/95/EC)
 - PLATE GROUND PAD WITH EMERSON SILVER OR GOLD.
 - MATES WITH MOLEX 8X CABLE SERIES 74546-080X.
 - GUIDE HOUSING PEGS FOR ALIGNMENT ONLY. 'DO NOT SOLDER'

iPass™ is a trademark of Molex

I-PASS X8 EMI GUIDE HOUSING ASSEMBLY

MOLEX INCORPORATED

DOCUMENT NO. SD-74540-100

SHEET NO. 1 OF 3

ADD P/N TO TABLE	EC NO: CPG2012-2100
	DRWN:TPRATT 2012/06/28
	CHKD:A.JOHNSON 2012/06/28
	APPR:K.LLOYD 2012/07/06
REV	DESCRIPTION

QUALITY SYMBOLS	▽=0
	▽=0

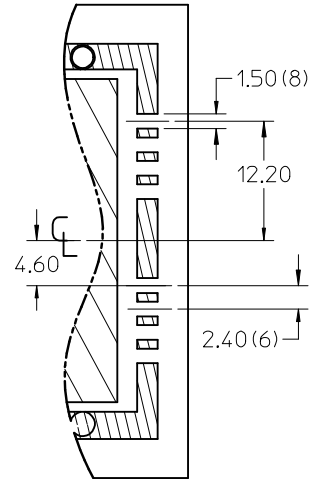
GENERAL TOLERANCES (UNLESS SPECIFIED)	mm	INCH
	4 PLACES ± ---	± ---
	3 PLACES ± ---	± ---
	2 PLACES ± 0.05	± ---
	1 PLACE ± 0.10	± ---
	ANGULAR ± 1/2°	
DRAFT WHERE APPLICABLE MUST REMAIN WITHIN DIMENSIONS		

DIMENSION STYLE		SCALE	DESIGN UNITS	THIRD ANGLE PROJECTION
MM ONLY		2:1	METRIC	
DRAWN BY	DATE	TITLE		
BREED	2004/11/11	I-PASS X8 EMI GUIDE HOUSING ASSEMBLY		
CHECKED BY	DATE	MOLEX INCORPORATED		
DDOYE	2004/11/11			
APPROVED BY	DATE	DOCUMENT NO.		
DDOYE	2004/11/11	SD-74540-100		
MATERIAL NO.	SEE TABLE	SHEET NO.		
SIZE	B	1 OF 3		

THIS DRAWING CONTAINS INFORMATION THAT IS PROPRIETARY TO MOLEX INCORPORATED AND SHOULD NOT BE USED WITHOUT WRITTEN PERMISSION

MOLEX P/N	DESCRIPTION	GEN
745400100	8x EMI Guide Housing Assembly - PCIe / 1 Deg	Gen 1
745400200	8x EMI Guide Housing Assembly - ATCA / 0 Deg	Gen 1
745400205	8x EMI Guide Housing Assembly - W/O Gasket - ATCA / 0 Deg	Gen 1

PCB THICKNESS	SCREW LENGTH	TORQUE (IN LBS)
1.6 (.063")	5MM	2.3
2.38 (.093")	6MM	2.3
3.2 (.125")	6MM	2.3
	+4MM MAX	2.3



PARTIAL1
SCALE 2:1
GROUND PAD ALLEY
LAYOUT INFORMATION



ADD P/N TO TABLE EC NO: CPG2012-2100 DRAWN: TPRAATT 2012/06/28 CHKD: A JOHNSTON 2012/06/28 APPR: K LLOYD 2012/07/06	QUALITY SYMBOLS ▽=0 ▽=0	GENERAL TOLERANCES (UNLESS SPECIFIED)		DIMENSION STYLE		SCALE	DESIGN UNITS	THIRD ANGLE PROJECTION			
				MM ONLY		1:1	METRIC				
				mm	INCH	DRAWN BY	DATE	TITLE			
				DRAFT WHERE APPLICABLE MUST REMAIN WITHIN DIMENSIONS		BREED	2004/11/11	I-PASS X8 EMI GUIDE HOUSING ASSEMBLY			
				3 PLACES	± --- ± ---	CHECKED BY	DATE				
				2 PLACES	± 0.05 ± ---	DDOYE	2004/11/11	MATERIAL NO. SEE TABLE			
				1 PLACE	± 0.10 ± ---	APPROVED BY	DATE				
				ANGULAR ±1/2°		DDOYE	2004/11/11	MOLEX INCORPORATED		SHEET NO.	
						DOCUMENT NO. SD-74540-100		3 OF 3			
						THIS DRAWING CONTAINS INFORMATION THAT IS PROPRIETARY TO MOLEX INCORPORATED AND SHOULD NOT BE USED WITHOUT WRITTEN PERMISSION					