

**PLEASE CHECK WWW.MOLEX.COM FOR LATEST PART INFORMATION**

**Part Number:** [1000130181](#)  
**Status:** **Active**  
**Overview:** T-Path 100-Gbps Connector Solutions  
**Description:** Heat Sink Clip for T-Path Cage

**Documents:**

[Drawing \(PDF\)](#) [RoHS Certificate of Compliance \(PDF\)](#)  
[Packaging Specification PK-100013-0181-001 \(PDF\)](#) [Product Literature \(PDF\)](#)

**General**

Product Family	EMI Cages
Series	<a href="#">100003</a>
Application	N/A
Component Type	Clip
Overview	<a href="#">T-Path 100-Gbps Connector Solutions</a>
Product Name	T-Path
UPC	889056468763

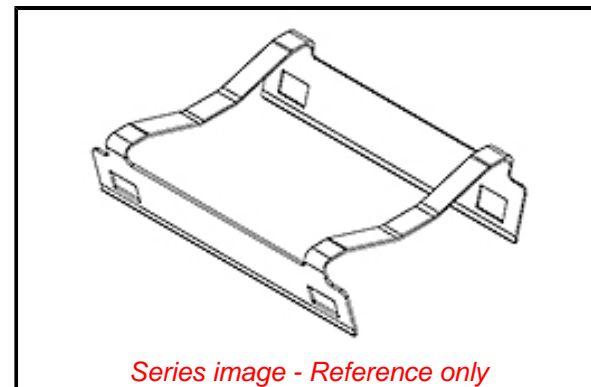
**Physical**

EMI Panel / Bezel Mount	N/A
Light Pipes per Port	N/A
Material - Metal	Stainless Steel
Net Weight	0.652/g
Orientation	Horizontal
Packaging Type	Tray
Port Configuration	N/A
Rear Legs	N/A
Thermal Height	N/A
Thermal Solutions	N/A

**Material Info**

**Reference - Drawing Numbers**

Packaging Specification	PK-100013-0181-001
Sales Drawing	SD-100013-0170-001



**EU ELV**

**Compliant**

**EU RoHS**

**Compliant**

**REACH SVHC**

Not Contained Per -  
D(2021)4569-DC (8  
July 2021)

**Halogen-Free**

**Status**

**Low-Halogen**

For more information, please visit [Contact US](#)

China ROHS

ELV

RoHS Phthalates

**China RoHS**

Green Image

Compliant

Not Contained

**Search Parts in this Series**

[100003 Series](#)

**Use With**

T-Path Cage [1726042100](#)