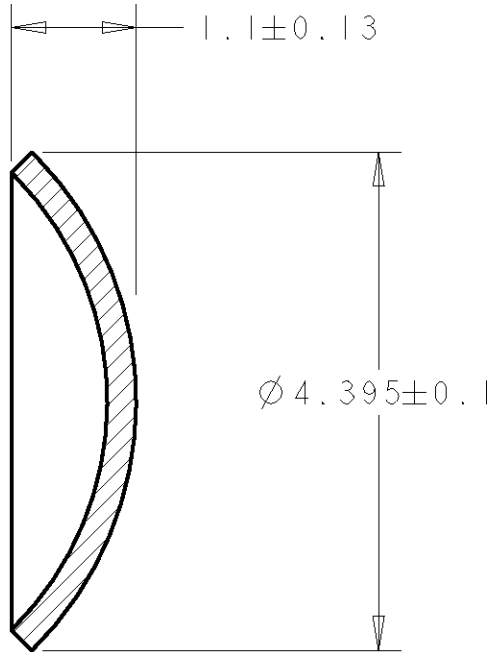


LOC	DIST	REVISIONS					
AJ	16	P	LTR	DESCRIPTION	DATE	DWN	APVD
		0		RELEASED	25SEP97	AG	RH



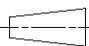


RELEASED FOR PUBLICATION , 19

THIS DRAWING IS UNPUBLISHED.

ALL RIGHTS RESERVED. BY AMP INCORPORATED. COPYRIGHT 19

148403-2
PART NUMBER

DIMENSIONS: mm	DWN	AJ GRAFF 25SEP97	MATERIAL	BRASS PER ASTM-B-19	FINISH	TIN PLT PER ASTM-B-545	
	CHK	RC HOSLER 25SEP97	 AMP Incorporated Harrisburg, PA 17105-3608				
TOLERANCES UNLESS OTHERWISE SPECIFIED:	APVD	RA PATTERSON 25SEP97					
0 PLC ±-	PRODUCT SPEC	-	NAME				END CAP
1 PLC ±-	APPLICATION SPEC	-	SIZE	A4	CAGE CODE	00779	
2 PLC ±-	WEIGHT	-	DRAWING NO		C=148403		
3 PLC ±-	 	CUSTOMER DRAWING	SCALE	15:1	SHEET	1 OF 1	
4 PLC ±-		ANGLES ±-		REV	0		