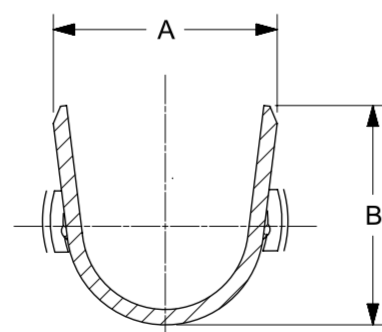
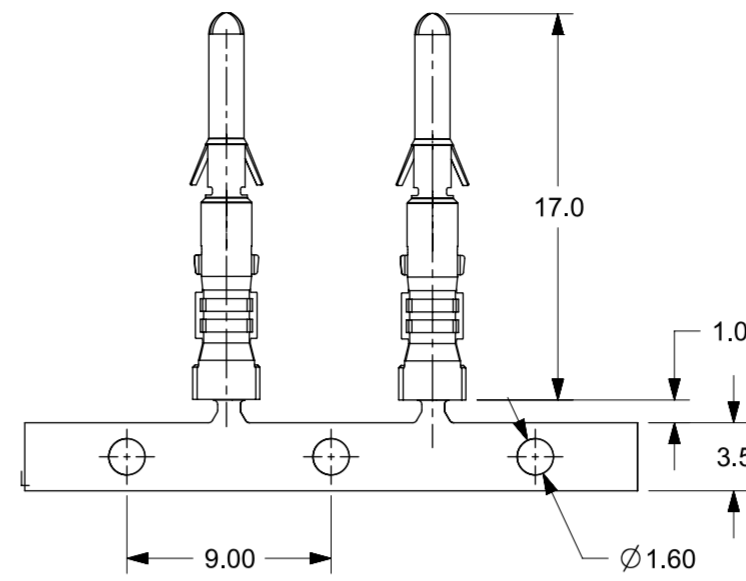


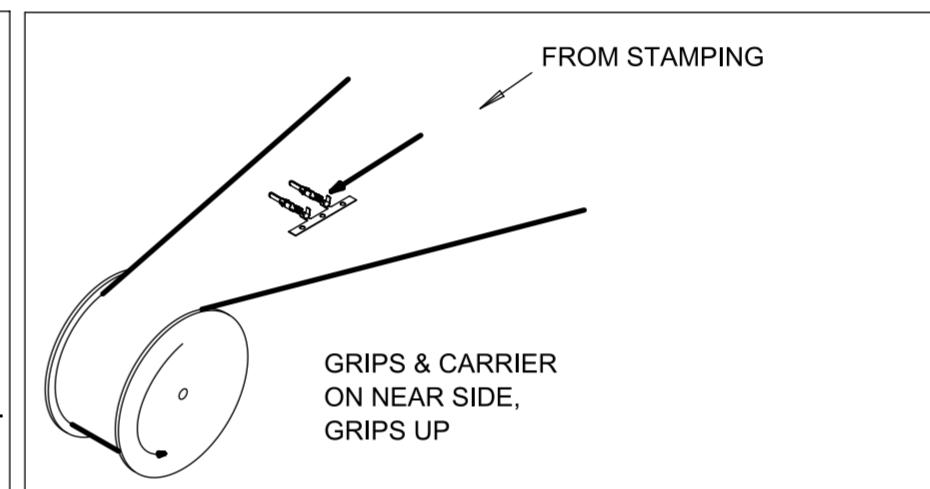
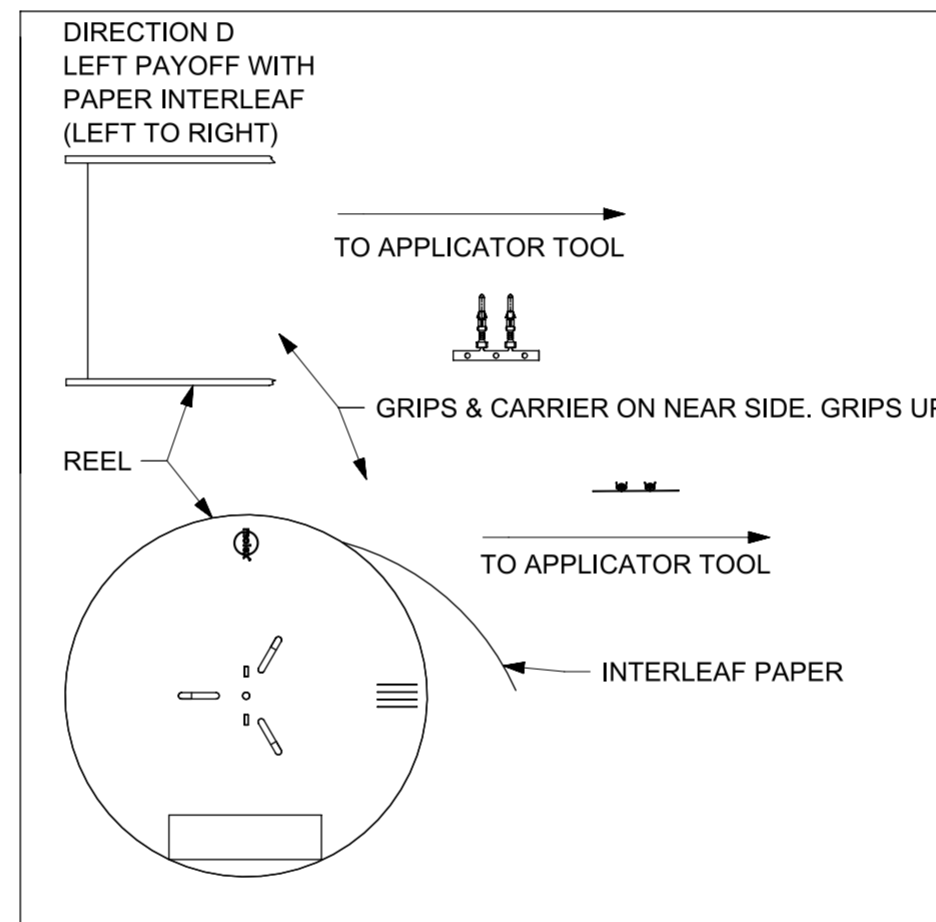
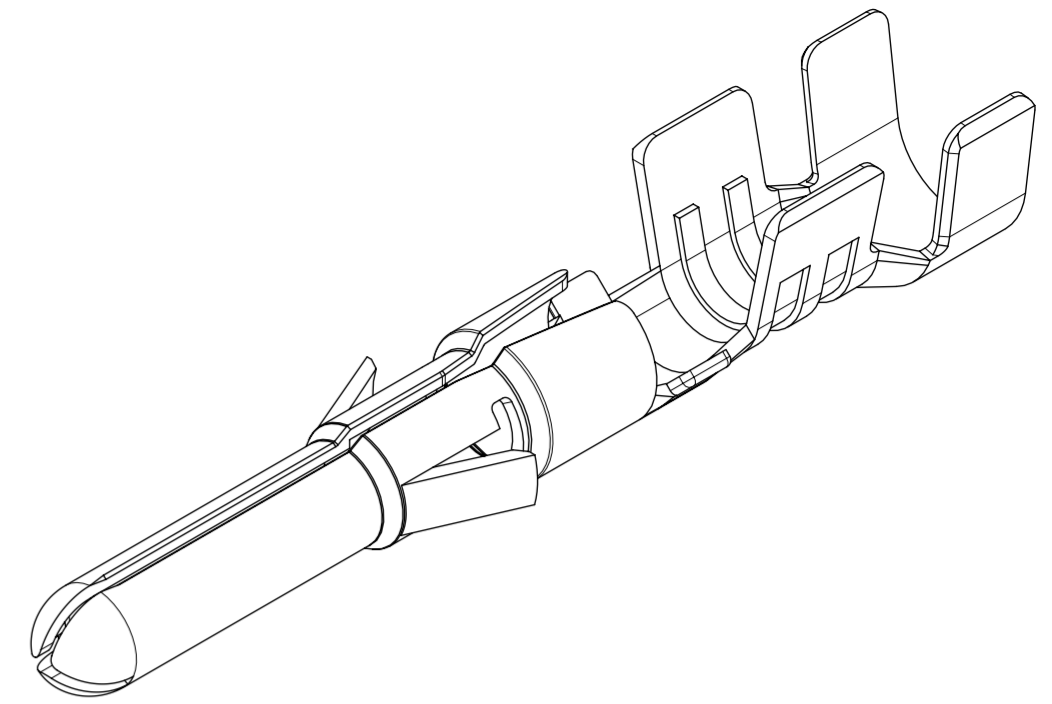
SECTION Y-Y



SECTION X-X



STRIP LAYOUT



REELING DIRECTIONS

SI. No.	PART NUMBER	WIRE RANGE	WIRE STYLE	DIM A	DIM B	DIM X	DIM Y
1	1501801016	16-18 AWG	16 AWG, UL1061	2.96	2.90	2.72	2.71
			18 AWG, UL1007	2.96	2.90	2.72	2.71
			18 AWG, UL1061	2.96	2.90	2.72	2.71
2	1501801020	20-22 AWG	20 AWG, UL1007	2.58	2.40	2.44	2.03
			20 AWG, UL1061	2.58	2.40	2.44	2.03
			22 AWG, UL1007	2.58	2.40	2.44	2.03
			22 AWG, UL1061	2.58	2.40	2.44	2.03

- NOTES:
1. MATERIAL: CARTRIDGE BRASS ALLOY.
 2. FINISH: PREPLATED OVERALL TIN ONLY- BRIGHT FINISH AND MIN THICKNESS 1.5µm.
 3. PRODUCT SPECIFICATION: 1501760001-PS.
 4. PACKAGING SPEC. REFER PK-150180-001.
 5. THIS PART CONFORMS TO CLASS B REQUIREMENTS OF COSMETIC SPEC PS-45499-002.
 6. TERMINAL TO BE USED WITH SERIES 150176 AND 150177.
 7. TERMINAL MATES WITH THE SERIES 150181

THIS DRAWING CONTAINS INFORMATION THAT IS PROPRIETARY TO MOLEX ELECTRONIC TECHNOLOGIES, LLC AND SHOULD NOT BE USED WITHOUT WRITTEN PERMISSION

FUNCTIONAL SYMBOLS: $F_A = 0$, $F_C = 0$, $F_P = 0$

DIVISIONAL SYMBOLS: 4 PLACES ±, 3 PLACES ±, 2 PLACES ± 0.25, 1 PLACE ± 0.35, 0 PLACES ±

SCALE: 10:1

GENERAL TOLERANCES (UNLESS SPECIFIED): ANGULAR TOL ± 0.5°

CURRENT REV DESC: DESCRIPTION UPDATED

EC NO: 647195
 DRWN: PRADEA 2020/10/09
 CHK'D: NCSR 2020/10/19
 APPR: NCSR 2020/10/19

INITIAL REVISION:
 DRWN: SS06 2015/05/28
 APPR: KPRASAD 2015/06/04

THIRD ANGLE PROJECTION

DRAFT WHERE APPLICABLE MUST REMAIN WITHIN DIMENSIONS

DRAWING: A2-SIZE

SERIES: 150180

DOCUMENT NUMBER: SD-150180-0001

DOC TYPE: PSD

DOC PART: 000

REVISION: B1

MATERIAL NUMBER: SEE CHART

CUSTOMER: GENERAL MARKET

SHEET NUMBER: 1 OF 1

molex

STANDARD .062"+
MALE CRIMP TERMINAL

PRODUCT CUSTOMER DRAWING