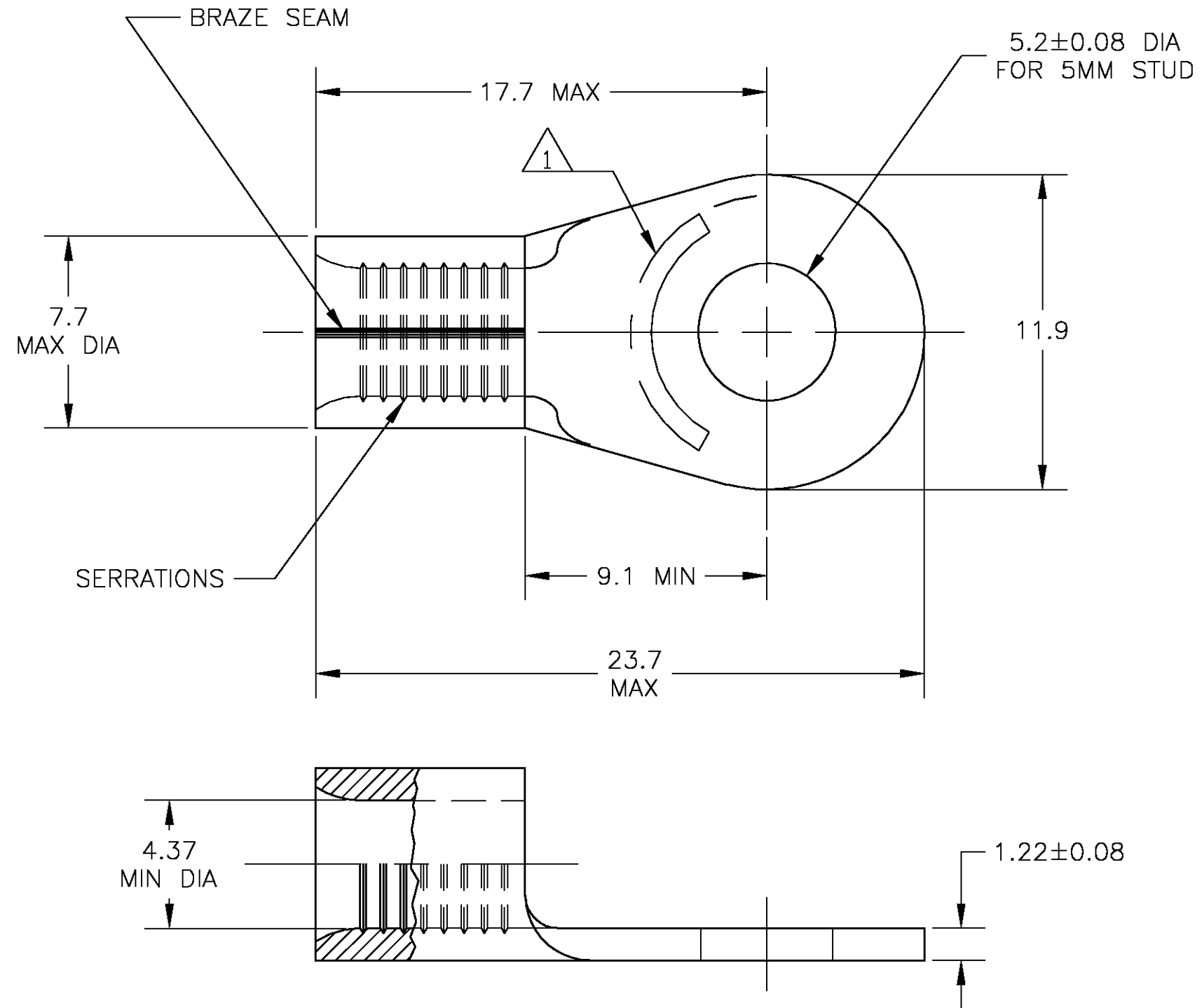


THIS DRAWING IS UNPUBLISHED. RELEASED FOR PUBLICATION
 © COPYRIGHT BY TYCO ELECTRONICS CORPORATION. ALL RIGHTS RESERVED.

LOC	DIST	REVISIONS					
G	05	P	LTR	DESCRIPTION	DATE	DWN	APVD
			B1	REV PER ECR 05-004247	08JUN05	JR	TM



- 1 STAMP "AMP 8*" , APPROX AS SHOWN
- 2 COPPER PER ASTM B-152, ANNEALED
- 3 0.00254 MIN THK TIN PER ASTM B-545
- 4 170°C MAX RECOMMENDED OPERATING TEMPERATURE.
- 5 WIRE CROSS SECTIONAL AREA RANGE: 6.64-10.5mm² (13-100-20,800) CMA SOLID OR STRANDED

AMP WIRE RANGE
8 AWG SOLID OR STRANDED

500	LOOSE PIECE	160013
QTY	PACKAGE TYPE	PART NO.

THIS DRAWING IS A CONTROLLED DOCUMENT.		DWN	jr ruth	08JUN05	tyco Electronics	Tyco Electronics Corporation Harrisburg, Pa 17105-3608	
DIMENSIONS: MM INCHES		CHK	T MICHIELUTTI	08JUN05		NAME	
TOLERANCES UNLESS OTHERWISE SPECIFIED:		APVD	T MICHIELUTTI	08JUN05	PRODUCT SPEC		
0 PLC ± -		APPLICATION SPEC		TERMINAL, RING TONGUE, SOLISTRAND			
1 PLC ± -		WEIGHT		SIZE			
2 PLC ± -		CUSTOMER DRAWING		CAGE CODE			
3 PLC ± -		SCALE 1:1		DRAWING NO			
4 PLC ± -		SHEET 1 OF 1		RESTRICTED TO			
ANGLES ± 5°		REV B1		A3 00779 C-160013			
FINISH							
- 2							
- 3							