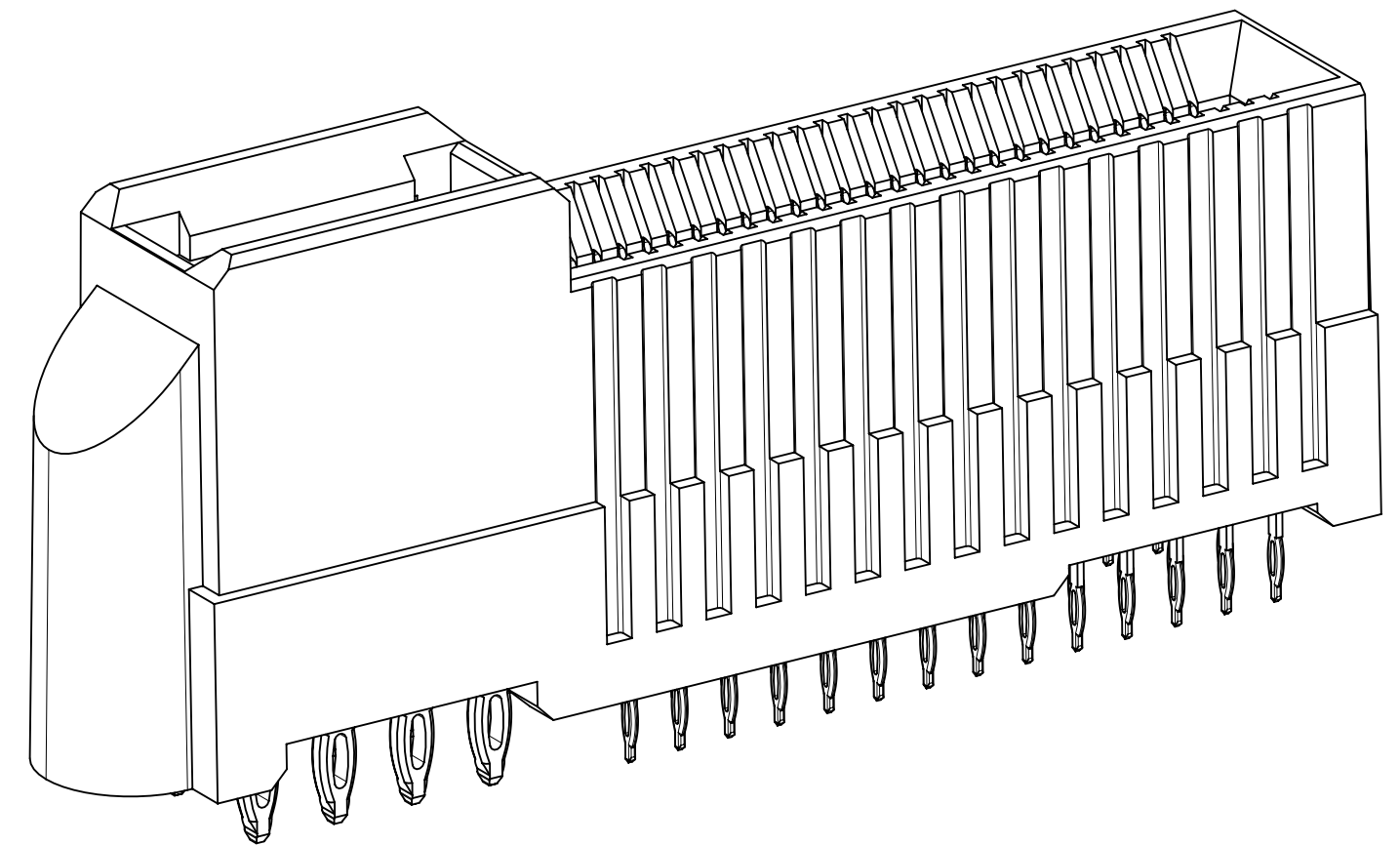
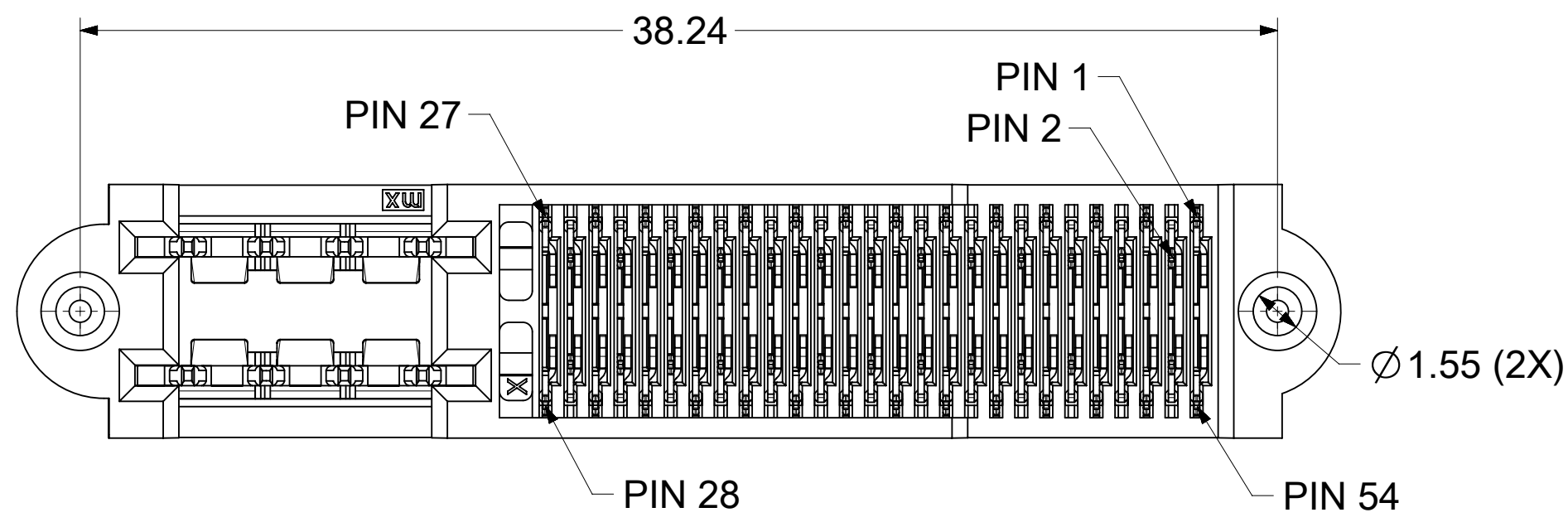
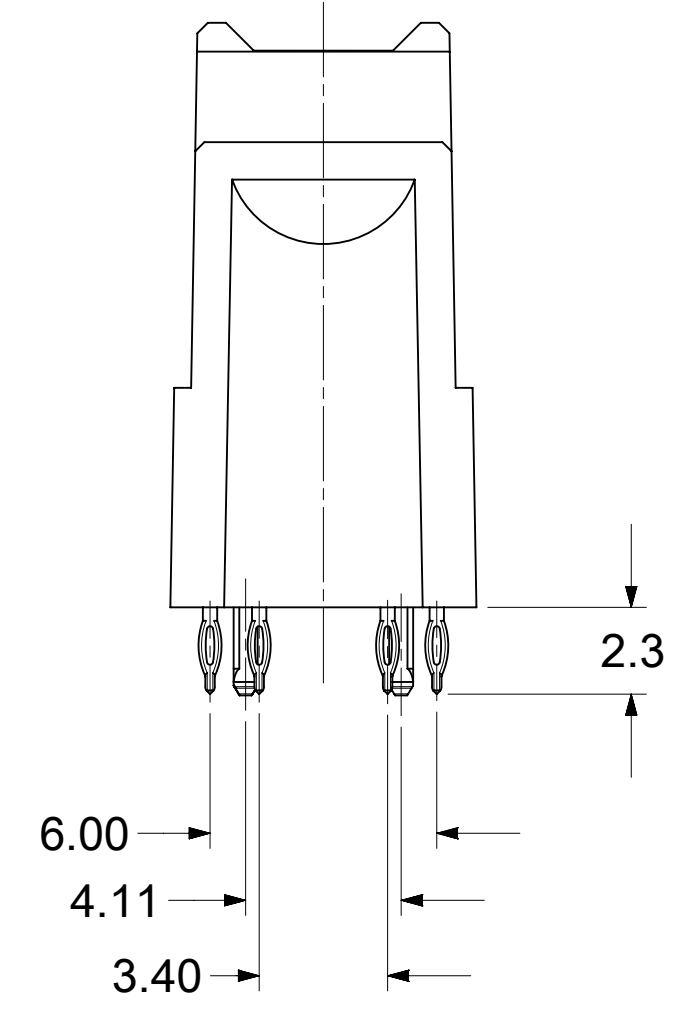
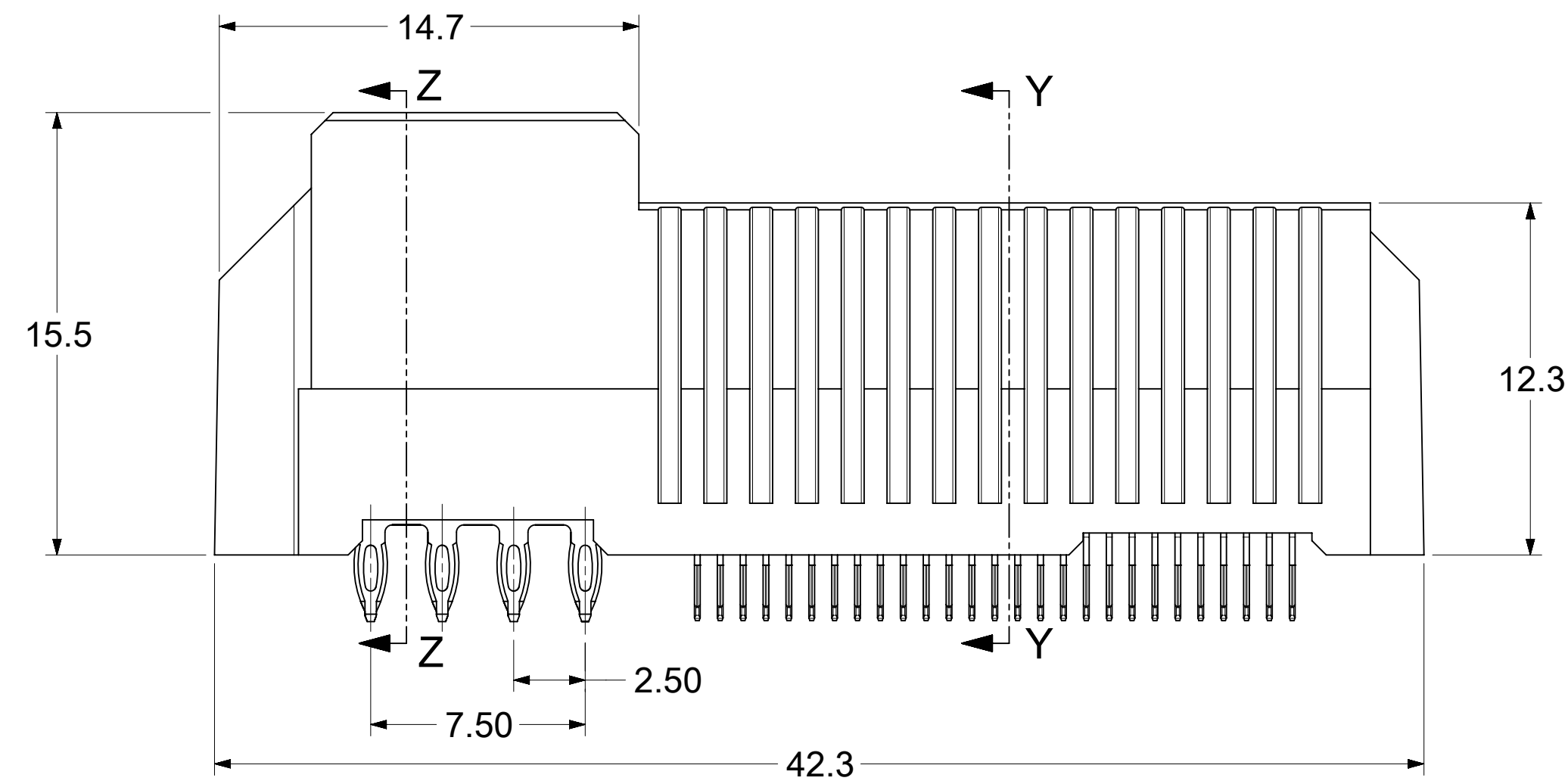


SECTION Z-Z

SECTION Y-Y



1705451054 LEGEND ESP 54 CIRCUITS / 0.093" PCB

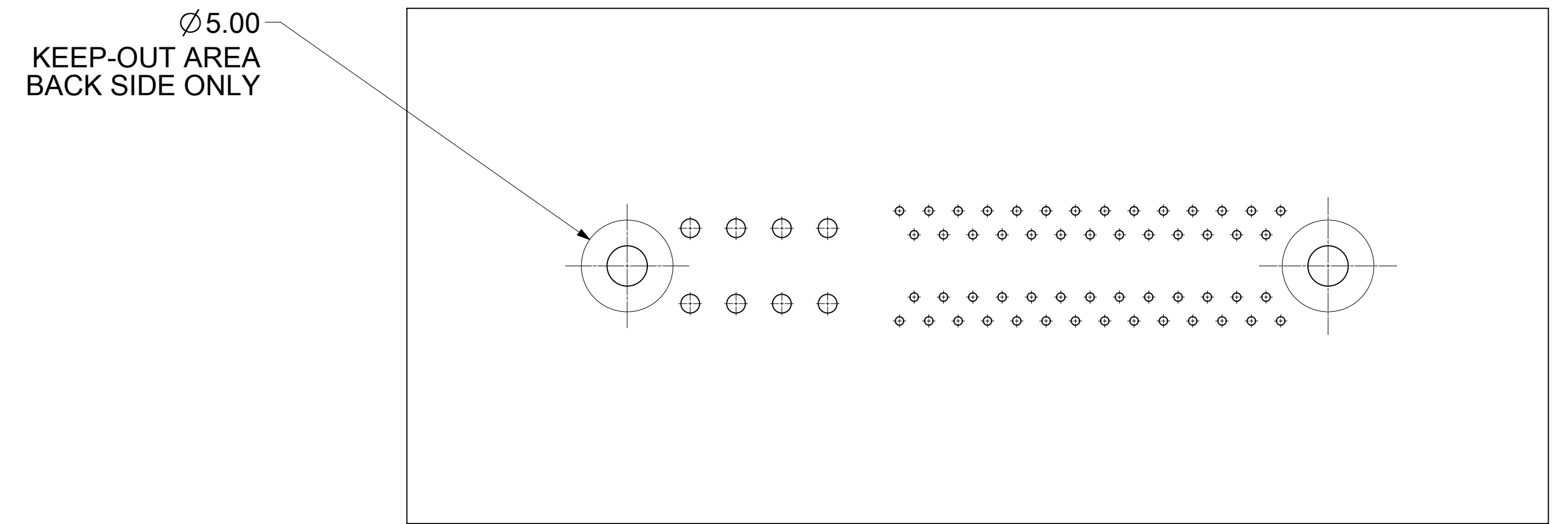
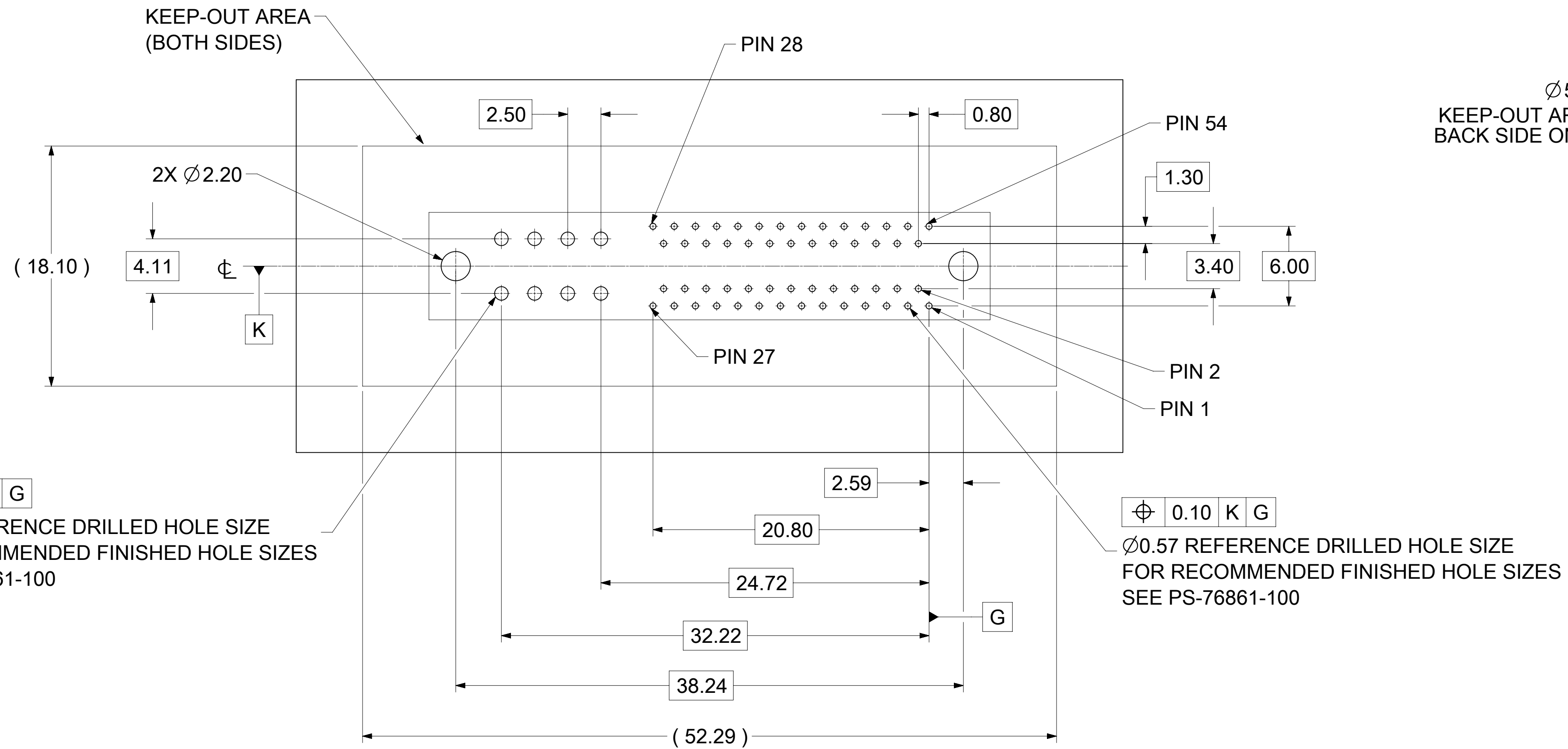
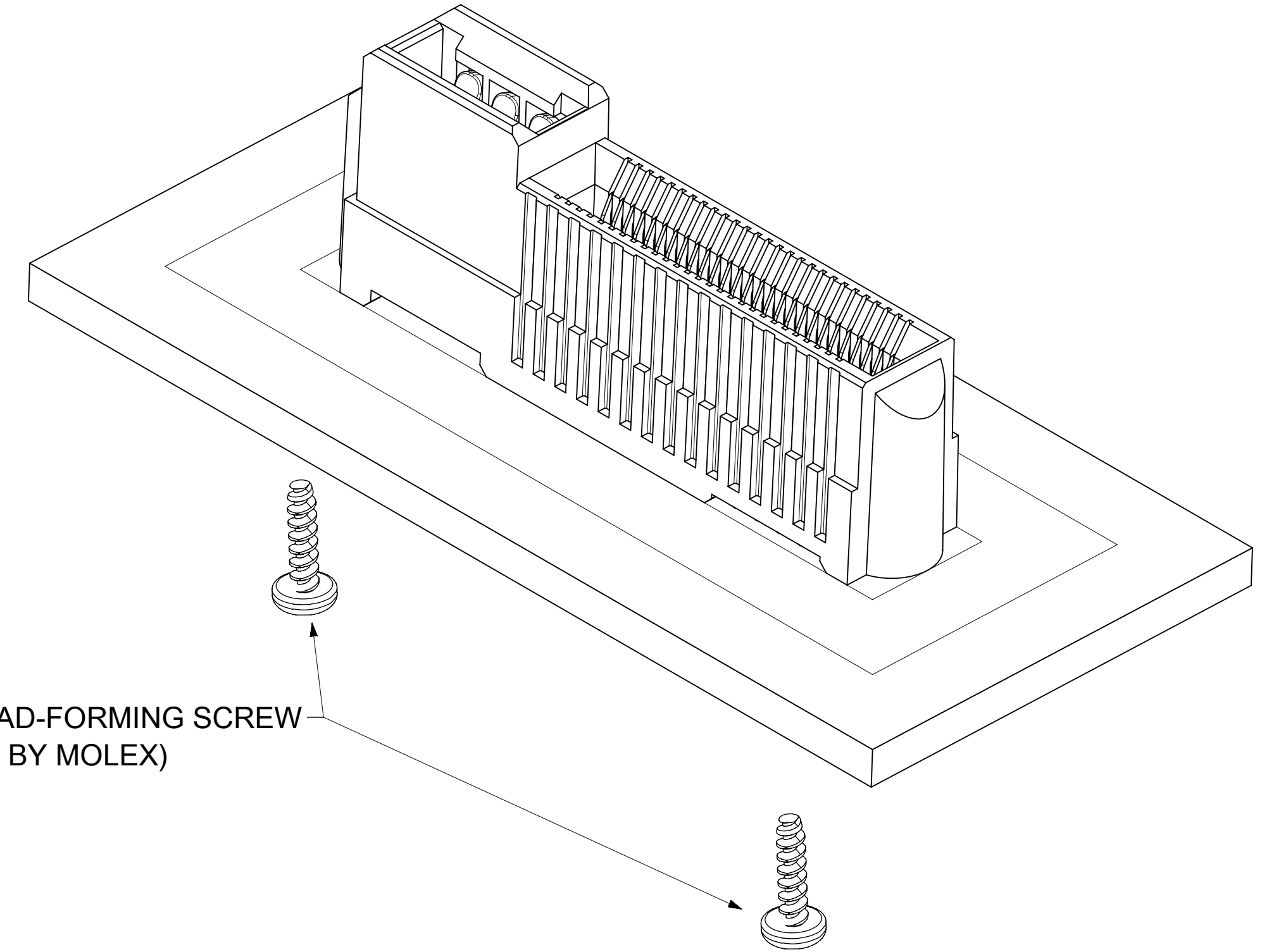
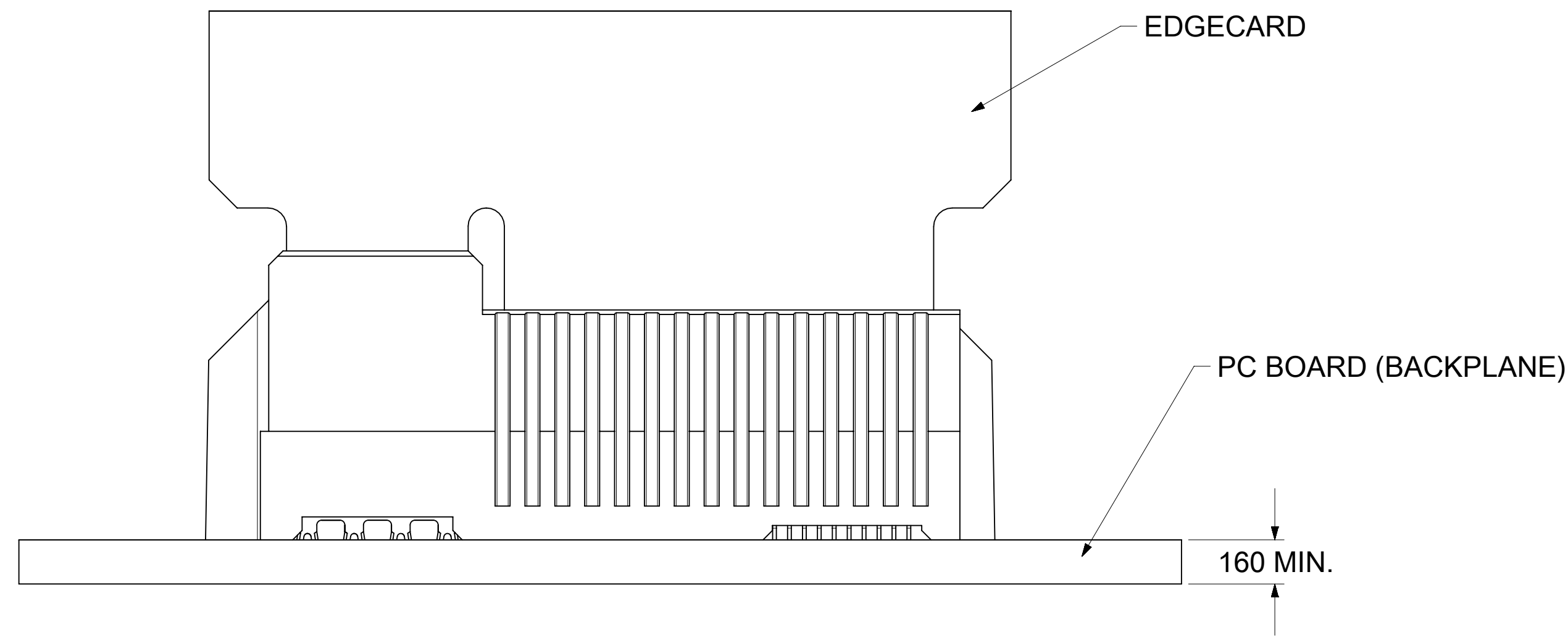
| PIN NO. | ALLEGRO PIN NO. | | | | PIN NO. |
|---------|-----------------|---|---|---|---------|
| 54 | 1 | | | 1 | 1 |
| 53 | | 1 | 1 | | 2 |
| 52 | 1 | | | 1 | 3 |
| 51 | | 1 | 1 | | 4 |
| 50 | 1 | | | 1 | 5 |
| 49 | | 1 | 1 | | 6 |
| 48 | 1 | | | 1 | 7 |
| 47 | | 1 | 1 | | 8 |
| 46 | 1 | | | 1 | 9 |
| 45 | | 1 | 1 | | 10 |
| 44 | 1 | | | 1 | 11 |
| 43 | | 1 | 1 | | 12 |
| 42 | 1 | | | 1 | 13 |
| 41 | | 1 | 1 | | 14 |
| 40 | 1 | | | 1 | 15 |
| 39 | | 1 | 1 | | 16 |
| 38 | 1 | | | 1 | 17 |
| 37 | | 1 | 1 | | 18 |
| 36 | 1 | | | 1 | 19 |
| 35 | | 1 | 1 | | 20 |
| 34 | 1 | | | 1 | 21 |
| 33 | | 1 | 1 | | 22 |
| 32 | 1 | | | 1 | 23 |
| 31 | | 1 | 1 | | 24 |
| 30 | 1 | | | 1 | 25 |
| 29 | | 1 | 1 | | 26 |
| 28 | 1 | | | 1 | 27 |

POWER

- NOTES:
- MATERIAL:
HOUSING: GLASS FILLED THERMOPLASTIC, UL94-V0, BLACK;
TERMINALS: COPPER ALLOY;
 - FINISH:
POWER PIN:
1.25 - 3.75um NICKEL UNDERPLATING OVER ALL;
0.76um MIN. GOLD PLATING ON CONTACT AREA;
2.54um MIN. TIN PLATING ON COMPLIANT AREA;
SIGNAL PIN:
0.76um MIN. GOLD OVER 3.80um MIN. NICKEL PLATING ON CONTACT AREA;
0.76 - 1.52um TIN OVER 1.30um MIN. NICKEL PLATING ON COMPLIANT AREA;
 - REFER TO PS-76861-100 PRODUCT SPECIFICATION FOR ALL ELECTRICAL, MECHANICAL AND ENVIRONMENTAL SPECIFICATIONS;
 - REFER TO PK-170545-5000 FOR ALL PACKAGING SPECIFICATIONS;
 - REFER TO AS-76693-100 FOR APPLICATION SPECIFICATIONS;
 - PROCESSING: PRESSFIT TO PC BOARD;
 - MATING PC BOARD THICKNESS = 2.36±10% OVER CONTACT PADS;
 - THIS PART CONFORMS TO CLASS B REQUIREMENTS OF COSMETIC SPEC PS-45499-002.

| | | | | |
|--|---|------------------------|---|----------------------------|
| FUNCTIONAL SYMBOLS | THIS DRAWING CONTAINS INFORMATION THAT IS PROPRIETARY TO MOLEX ELECTRONIC TECHNOLOGIES, LLC AND SHOULD NOT BE USED WITHOUT WRITTEN PERMISSION | | CURRENT REV DESC: SEE REVERSION DESCRIPTION | |
| FA = 0 | mm | SCALE | NTS | |
| FC = 0 | GENERAL TOLERANCES (UNLESS SPECIFIED) | | | |
| FD = 0 | ANGULAR TOL ± 2.0° | | | |
| DIVISIONAL SYMBOLS | 4 PLACES | ± | EC NO: 695646 | |
| | 3 PLACES | ± | DRWN: SSORADI | 2020/02/24 |
| | 2 PLACES | ± 0.13 | CHK'D: JKACHLIC | 2022/02/21 |
| | 1 PLACE | ± 0.25 | APPR: JKACHLIC | 2022/02/21 |
| | 0 PLACES | ± | INITIAL REVISION: | |
| DRAFT WHERE APPLICABLE MUST REMAIN WITHIN DIMENSIONS | | THIRD ANGLE PROJECTION | DRAWING | SERIES |
| | | | D-SIZE | 170545 |
| | | | MATERIAL NUMBER | CUSTOMER |
| | | | SD-170545-1054 | GENERAL MARKET |
| | | | DOCUMENT NUMBER | DOC TYPE DOC PART REVISION |
| | | | PSD 001 F | |
| | | | SHEET NUMBER | |
| | | | 3 OF 4 | |

P.C. BOARD MOUNTING

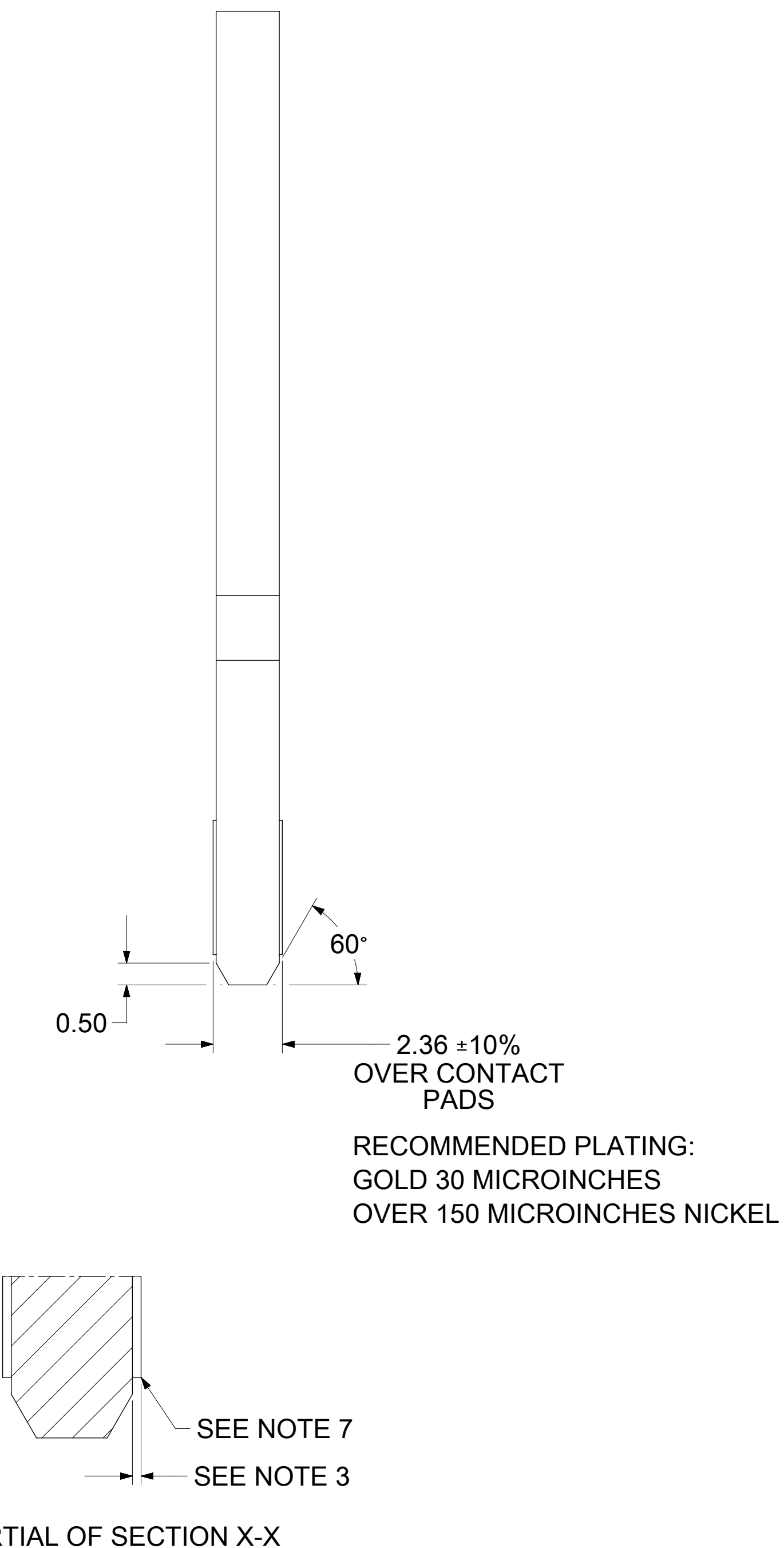
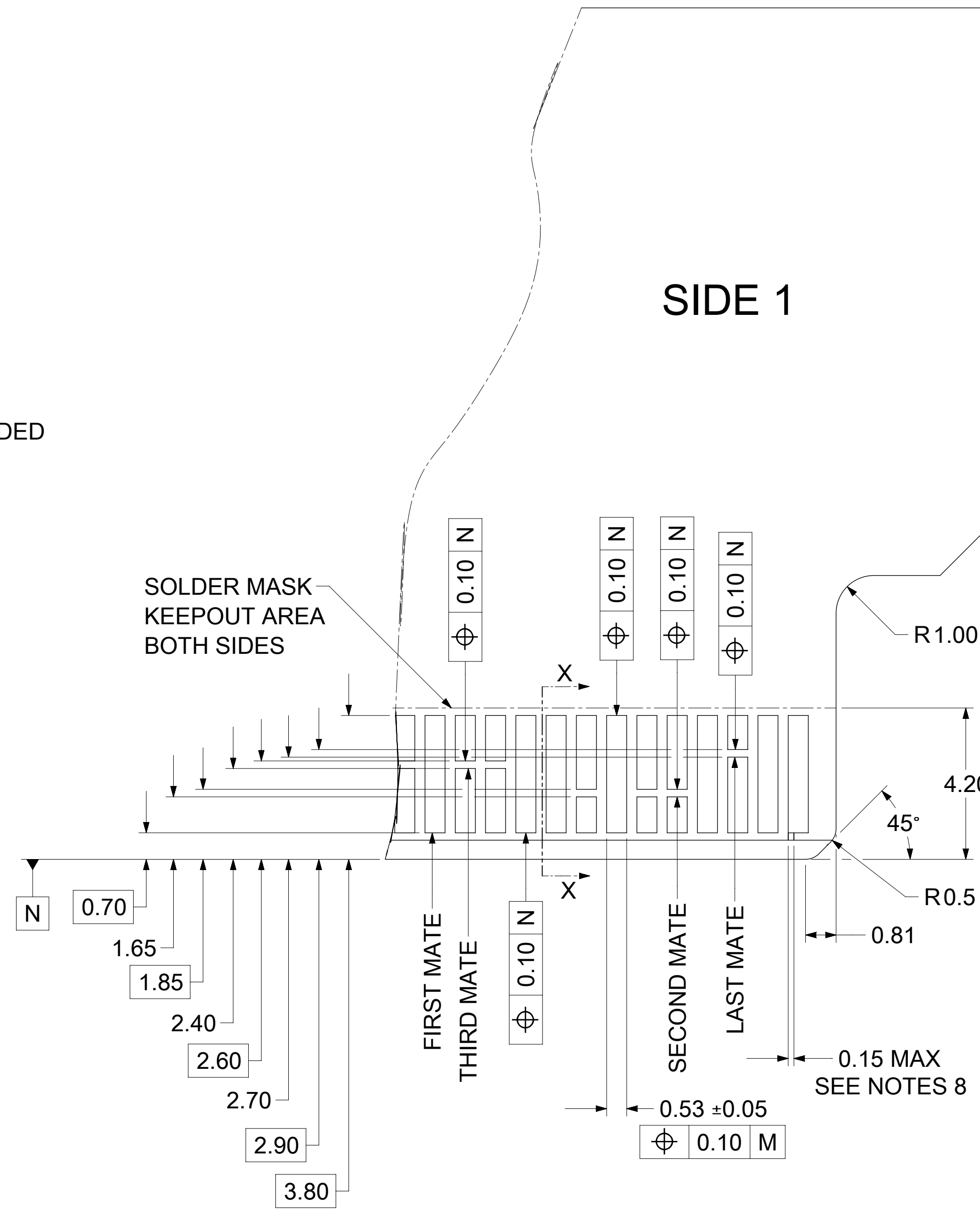
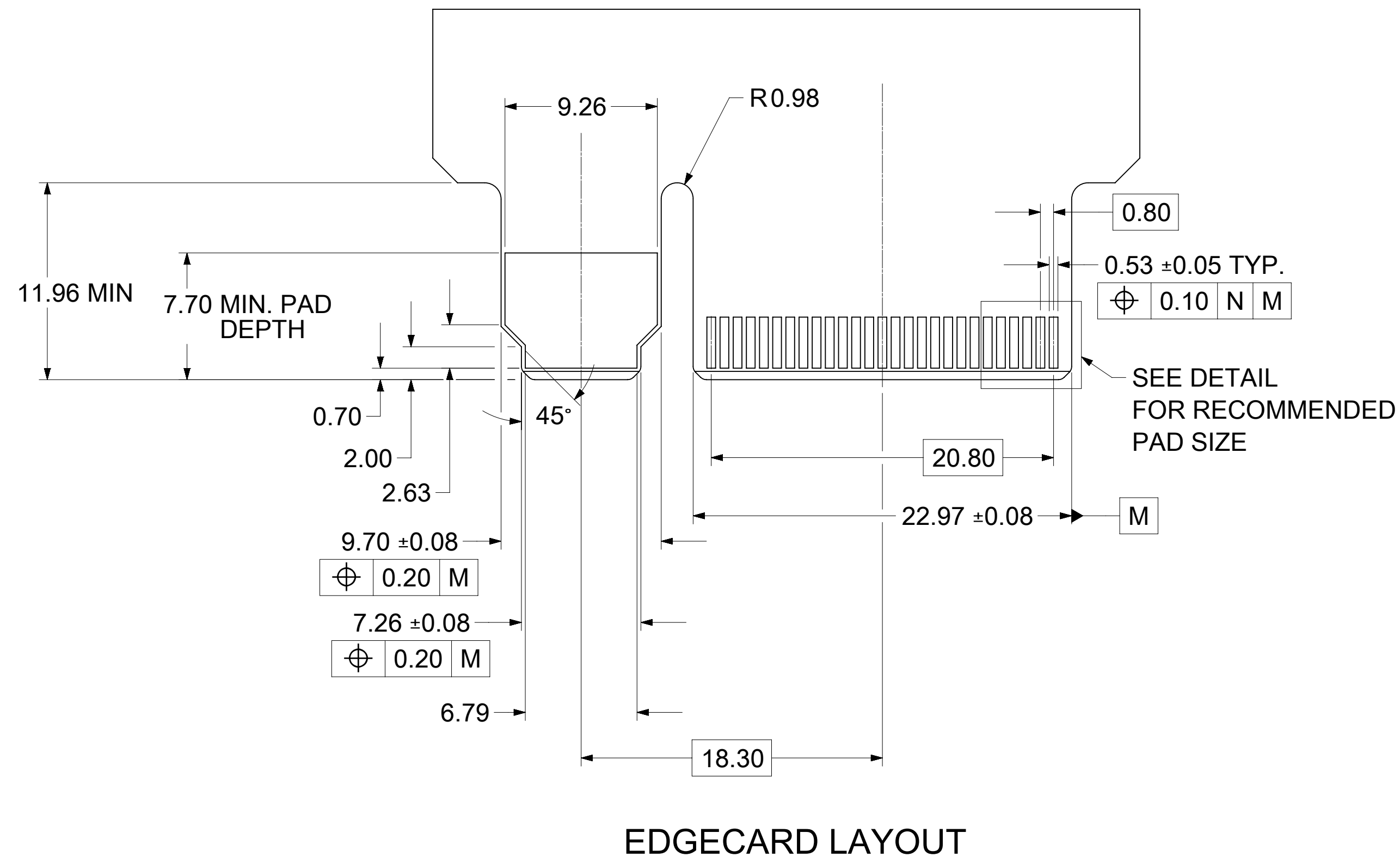


MOTHER BOARD HOLE LAYOUT
(BACK SIDE)

MOTHER BOARD HOLE LAYOUT
(COMPONENT SIDE)

| | | | |
|--------------------|---|----------------|--|
| FUNCTIONAL SYMBOLS | THIS DRAWING CONTAINS INFORMATION THAT IS PROPRIETARY TO MOLEX ELECTRONIC TECHNOLOGIES, LLC AND SHOULD NOT BE USED WITHOUT WRITTEN PERMISSION | | |
| | DIMENSION UNITS | SCALE | CURRENT REV DESC: SEE REVISION DESCRIPTION |
| FA = 0 | mm | NTS | |
| DIVISIONAL SYMBOLS | GENERAL TOLERANCES (UNLESS SPECIFIED) | | |
| | ANGULAR TOL ± 2.0° | | |
| | 4 PLACES | ± | EC NO: 695646 |
| | 3 PLACES | ± | DRWN: SSORADI 2020/02/24 |
| | 2 PLACES | ± 0.13 | CHK'D: JKACHLIC 2022/02/21 |
| | 1 PLACE | ± 0.25 | APPR: JKACHLIC 2022/02/21 |
| | 0 PLACES | ± | INITIAL REVISION: |
| | DRAFT WHERE APPLICABLE MUST REMAIN WITHIN DIMENSIONS | | DRWN: MPOFF 2014/05/23 |
| | THIRD ANGLE PROJECTION | | APPR: SMILLER 2014/07/23 |
| | DRAWING | SERIES | |
| | D-SIZE | 170545 | |
| MATERIAL NUMBER | | CUSTOMER | |
| 1705451054 | | GENERAL MARKET | |
| DOCUMENT NUMBER | | DOC TYPE | DOC PART |
| SD-170545-1054 | | PSD | 001 |
| REVISION | | | |
| F | | | |
| SHEET NUMBER | | 1 OF 4 | |

MODULE EDGE CARD CONTACT DETAIL



MATING PCB NOTES:

1. CONNECTOR LAND CONDITIONS SHALL MEET THE MOST CURRENT REVISION OF PCB SPECIFICATION IPC-6012C-2010 SECTION 3.5.4.4;
2. DIMENSIONS APPLY TO LANDS ON BOTH SIDES OF THE BOARD;
3. THE THICKNESS OF THE OUTER METAL LAYERS, INCLUDING FOIL, COPPER PLATING, AND THE PROTECTIVE SURFACE FINISH, SHALL BE 0.066mm MAXIMUM;
4. CHAMFER ROUGHNESS NOT TO EXCEED 3.17 MICROMETERS;
5. CHAMFER PROCESS SHALL NOT DAMAGE THE GOLD EDGE LANDS;
6. EDGE CARD CHAMFER NOT TO GO THROUGH GOLD LANDS;
7. 0.03mm MAXIMUM PLATING OVERHANG ON ALL GOLD LAND EDGES.
8. MOLEX RECOMMENDS NO TIE-BARS ON THE LEADING EDGE OF THE GOLD LAND. IF TIE-BARS ARE USED, THEY SHALL BE PLACED TO ONE SIDE OF THE GOLD LAND. APPLIES TO ALL GOLD LANDS.

| | | | | |
|--|---|--------------------|---|--------------|
| FUNCTIONAL SYMBOLS | THIS DRAWING CONTAINS INFORMATION THAT IS PROPRIETARY TO MOLEX ELECTRONIC TECHNOLOGIES, LLC AND SHOULD NOT BE USED WITHOUT WRITTEN PERMISSION | | CURRENT REV DESC: SEE REVERSION DESCRIPTION | |
| | FA = 0 | mm NTS | | |
| DIVISIONAL SYMBOLS | GENERAL TOLERANCES (UNLESS SPECIFIED) | | EC NO: 695646 | |
| | FC = 0 | ANGULAR TOL ± 2.0° | DRWN: SSORADI | 2020/02/24 |
| DIVISIONAL SYMBOLS | 4 PLACES | ± | CHK'D: JKACHLIC | 2022/02/21 |
| | 3 PLACES | ± | APPR: JKACHLIC | 2022/02/21 |
| | 2 PLACES | ± 0.13 | INITIAL REVISION: | |
| | 1 PLACE | ± 0.25 | DRWN: MPOFF | 2014/05/23 |
| DRAFT WHERE APPLICABLE MUST REMAIN WITHIN DIMENSIONS | 0 PLACES | ± | APPR: SMILLER | 2014/07/23 |
| | THIRD ANGLE PROJECTION | | DRAWING | SERIES |
| DOCUMENT STATUS | P1 | RELEASE DATE | 2022/02/21 | 07:18:12 |
| D-DRAWING | | D-SIZE | | 170545 |
| MATERIAL NUMBER | | CUSTOMER | | SHEET NUMBER |
| SD-170545-1054 | | GENERAL MARKET | | 2 OF 4 |

| DATE | REVERSION | DESCRIPTION |
|------------|-----------|--|
| 2021.12.10 | F | DRAWING MIGRATION; ADD DETAIL DIMENSION FOR PART AND RECOMMENDED PCB. |
| | | |

| | | | |
|--|---|----------------|---|
| FUNCTIONAL SYMBOLS FA = 0 FC = 0 FP = 0 DIVISIONAL SYMBOLS | THIS DRAWING CONTAINS INFORMATION THAT IS PROPRIETARY TO MOLEX ELECTRONIC TECHNOLOGIES, LLC AND SHOULD NOT BE USED WITHOUT WRITTEN PERMISSION | | |
| | DIMENSION UNITS | SCALE | CURRENT REV DESC: SEE REVERSION DESCRIPTION |
| | mm | NTS | |
| | GENERAL TOLERANCES (UNLESS SPECIFIED) | | |
| | ANGULAR TOL | ± 2.0° | |
| | 4 PLACES | ± | |
| | 3 PLACES | ± | |
| 2 PLACES | ± 0.13 | | |
| 1 PLACE | ± 0.25 | | |
| 0 PLACES | ± | | |
| DRAFT WHERE APPLICABLE MUST REMAIN WITHIN DIMENSIONS | THIRD ANGLE PROJECTION | DRAWING | SERIES |
| | | D-SIZE | 170545 |
| DOCUMENT NUMBER | | DOC TYPE | DOC PART |
| SD-170545-1054 | | PSD | 001 |
| MATERIAL NUMBER | | CUSTOMER | REVISION |
| 1705451054 | | GENERAL MARKET | F |
| SHEET NUMBER | | | |
| 4 OF 4 | | | |

molex

EDGELINE ESP30 12.5GB
0.093"PCB/0.8MM PITCH 54 CKTS

PRODUCT CUSTOMER DRAWING

| | | | |
|-----------------|----|--------------|---------------------|
| DOCUMENT STATUS | P1 | RELEASE DATE | 2022/02/21 07:18:12 |
|-----------------|----|--------------|---------------------|