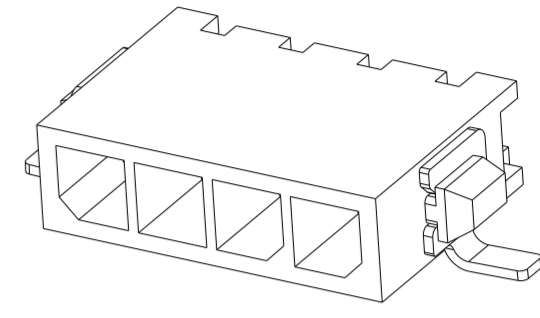
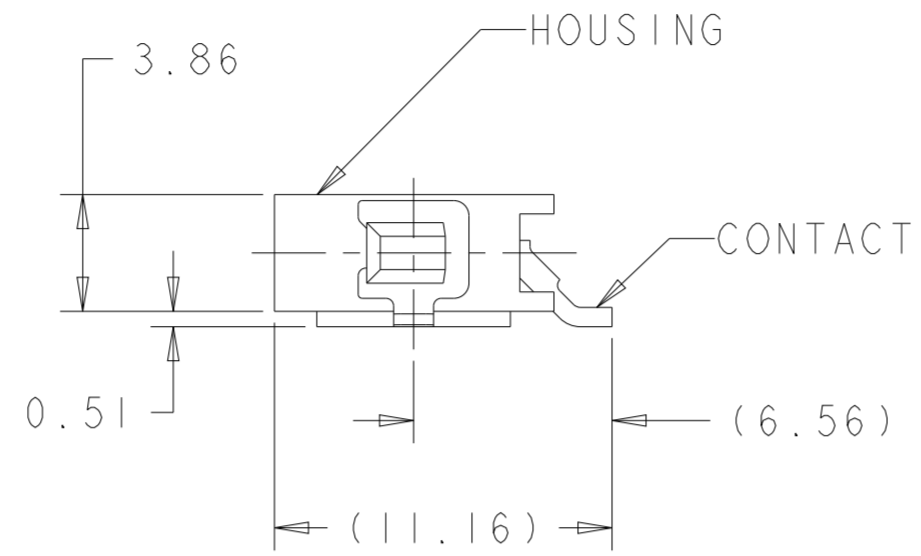
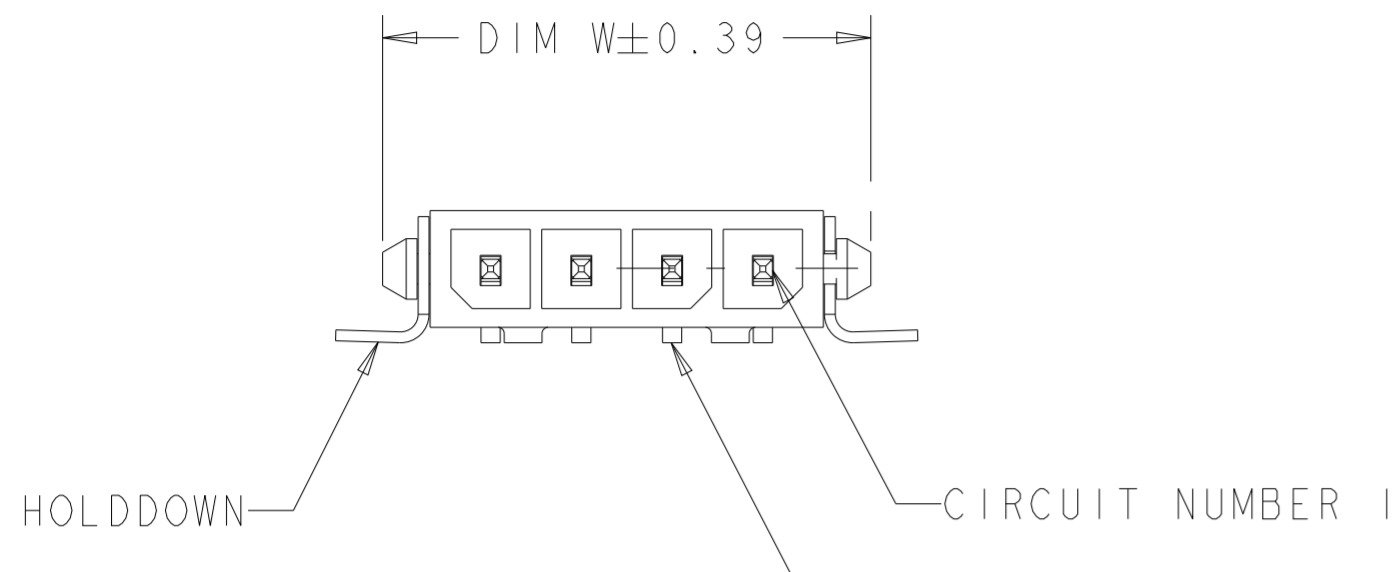
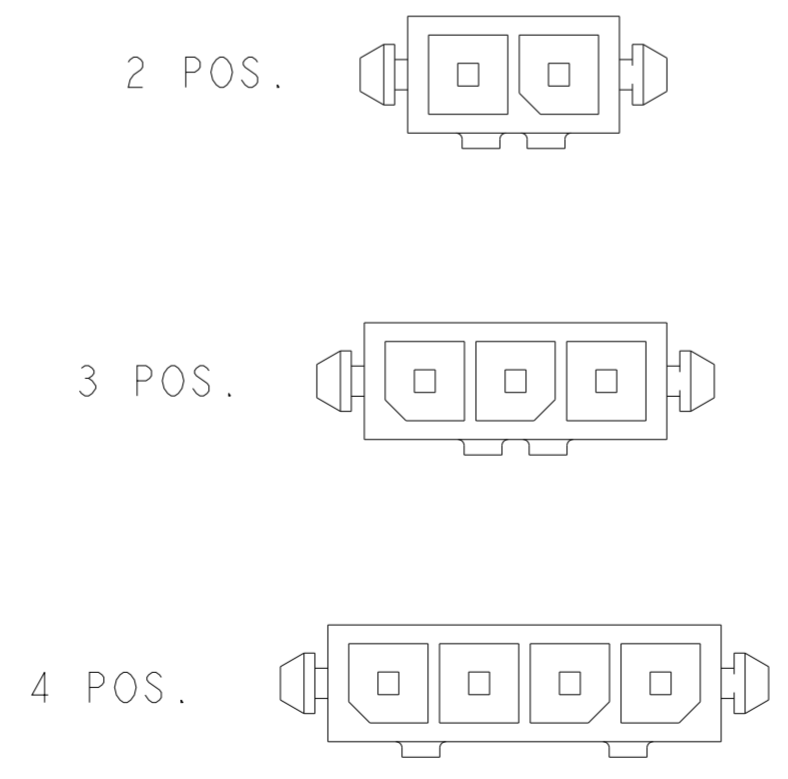
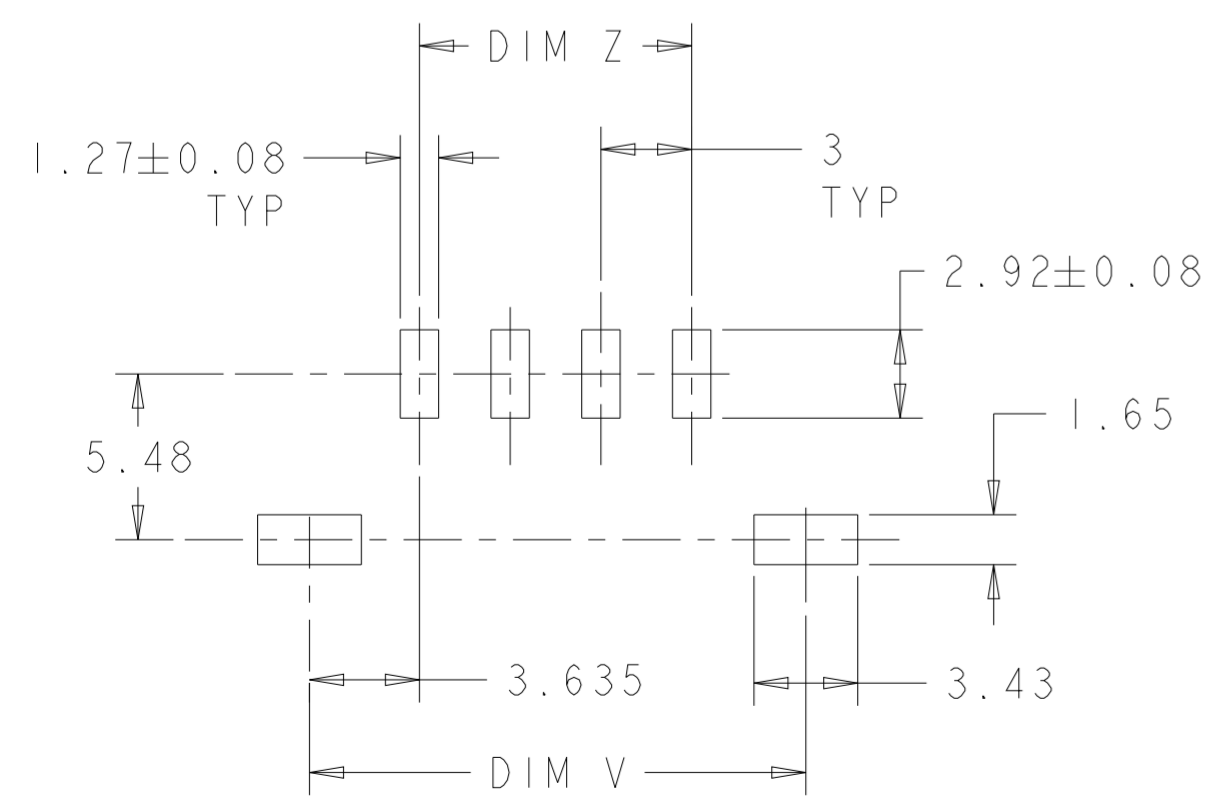
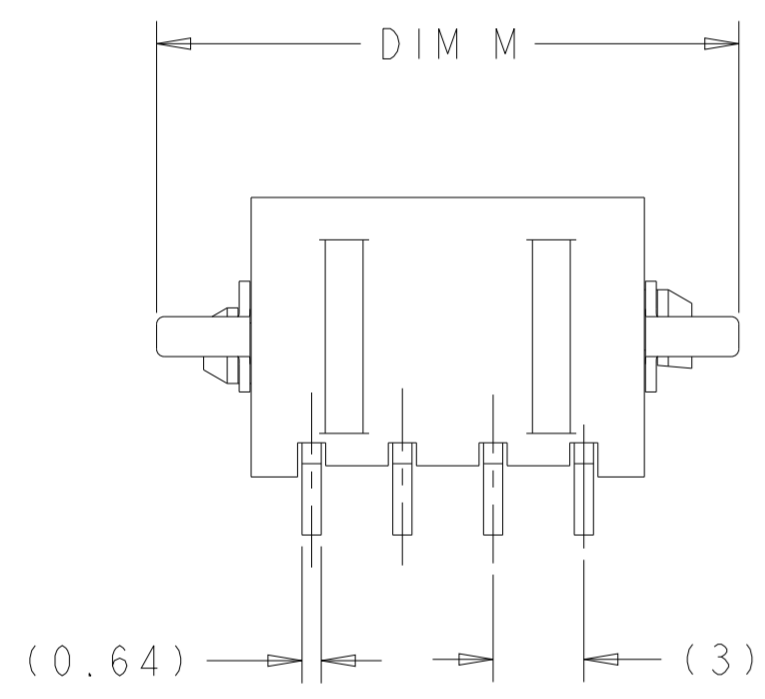


P	LTR	DESCRIPTION	DATE	DWN	APVD
A		WR-08-62	19NOV2008	KW	CJ
A1		ECO-19-006934	06MAY2019	AP	WS
A2		REVISED PER ECN-23-198901	24FEB2023	WLS	VS



0.15  
INCLUDES CONTACT TAILS,  
HOUSING STANDOFFS,  
AND BOARDLOCKS.

- 1 MATERIAL: HOUSING - UL 94V-0 RATED HIGH TEMP NYLON, COLOR BLACK.  
CONTACTS - BRASS.  
HOLDDOWNS - PHOSPHOR BRONZE.
- 2 PLATING: CONTACTS - 0.76µm MINIMUM GOLD ON MATING END,  
2.54µm MINIMUM MATTE TIN ON SOLDER TAILS,  
ALL OVER 1.27µm MINIMUM NICKEL.  
HOLDDOWNS - 2.54µm MINIMUM MATTE TIN OVER 1.27µm MINIMUM NICKEL.
- 3 RECOMMENDED PC BOARD THICKNESS OF 1.57.



PCB LAYOUT COMPONENT SIDE 3

KEYING BY POSITION SIZE

19.25	9	16	16.27	4	2029266-4
16.25	6	13	13.27	3	2029266-3
13.25	3	10	10.27	2	2029266-2
DIM M	DIM Z	DIM W	DIM V	NO. OF POSN	PART NUMBER

THIS DRAWING IS A CONTROLLED DOCUMENT.

DIMENSIONS: mm	TOLERANCES UNLESS OTHERWISE SPECIFIED: 0 PLC ± 1 PLC ± 2 PLC ±0.13 3 PLC ± 4 PLC ± ANGLES ±° FINISH	DWN K. WHITAKER 19NOV2008 CHK C. JONES 19NOV2008 APVD C. JONES 19NOV2008	TE Connectivity		
		PRODUCT SPEC 108-1836	NAME RTANG SURF MNT HDR ASSY, SIDE LOCK, 0.76 GOLD, SURF MOUNT HOLDDOWNS, SINGLE ROW, MICRO MATE-N-LOK(TM)		
MATERIAL 1	2	APPLICATION SPEC 114-13000	SIZE A2	CAGE CODE 00779	DRAWING NO C-2029266
CUSTOMER DRAWING		WEIGHT -	RESTRICTED TO -	SCALE 4:1	SHEET 1 OF 1
			REV A2		