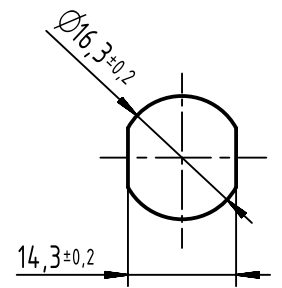
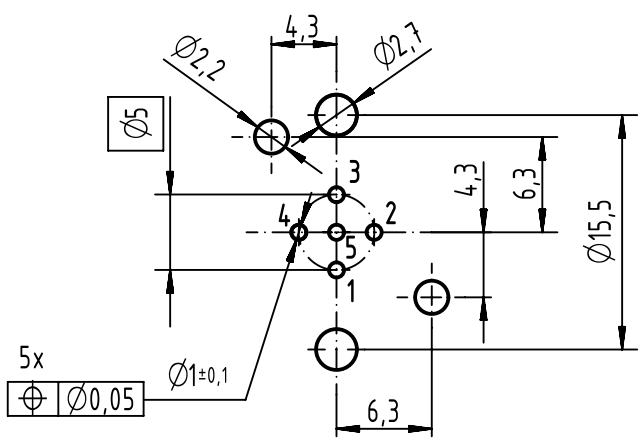


panel cut out (1:1)



PCB layout



1 top surface PCB

recommended PCB-thickness: 1,6mm

	All Dimensions in mm Original Size DIN A4		Scale 2:1	Free size tol.		Ref. Sub. TB 21033211520 / 500000056709 / 2012-11-26	
	All rights reserved Department EL PD		Created by 104122	Inspected by WELLMANN	Standardisation HOFFMANN	Date 2019-12-02	State Final Release
HARTING Electronics GmbH D-32339 Espelkamp			Title HARTING M12 PFT A-coded straight male IP67			Doc-Key / ECM-Nr. 100227335/UGD/002/D 500000157713	
			Type TB	Number 21033211520		Rev. D	Page 1/1