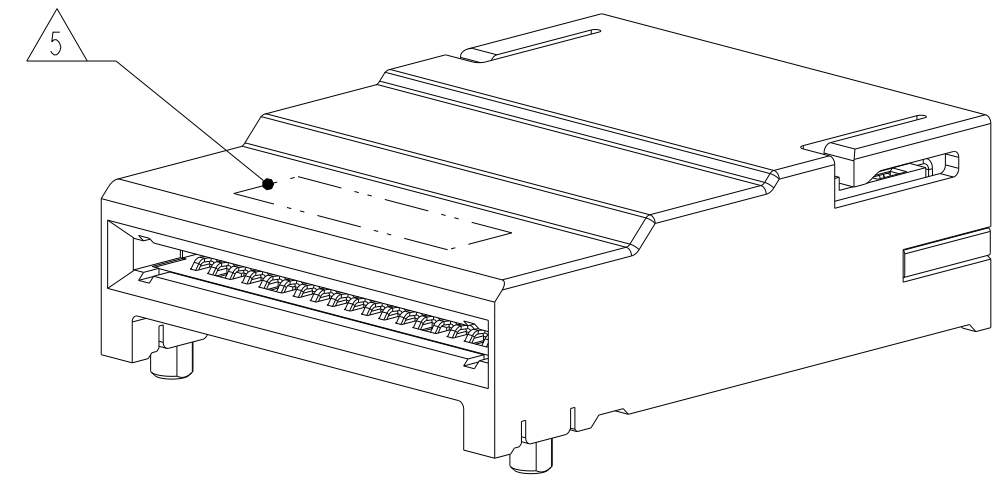
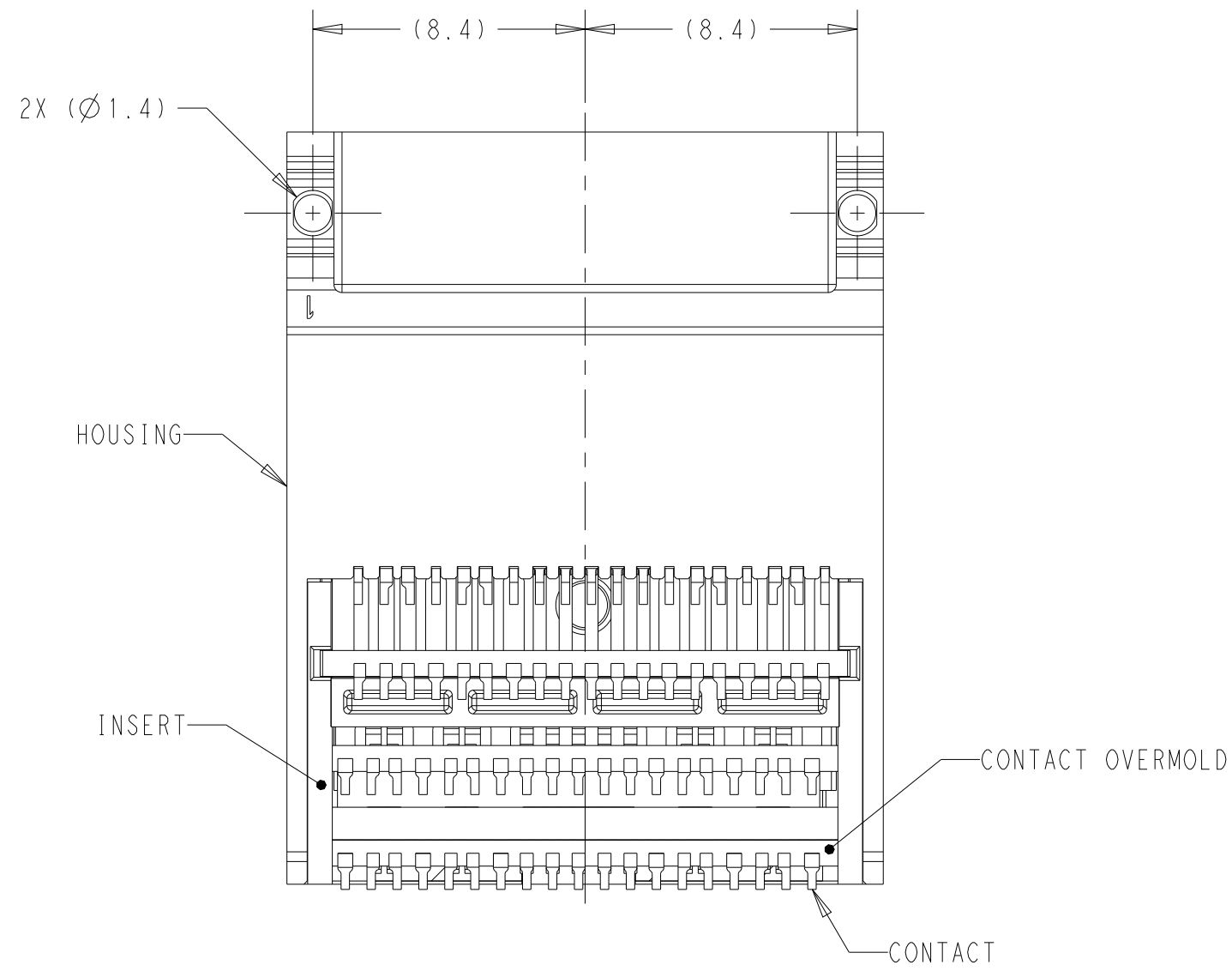
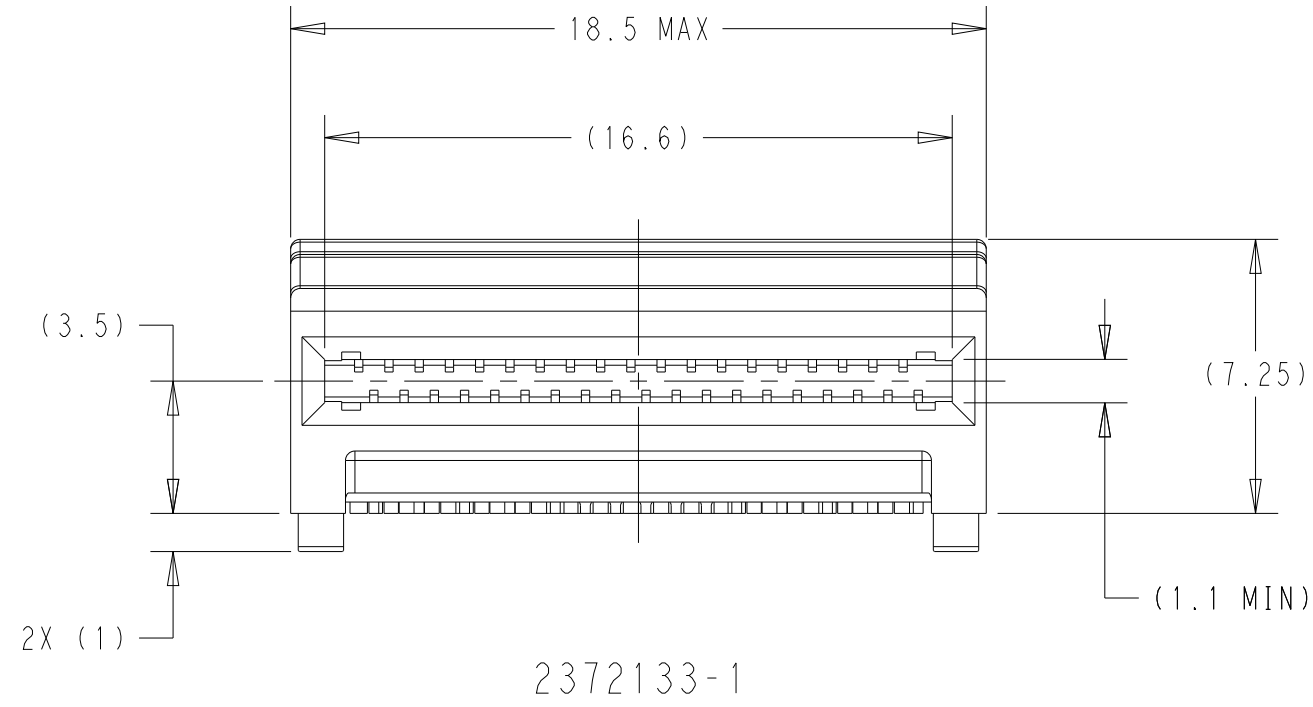
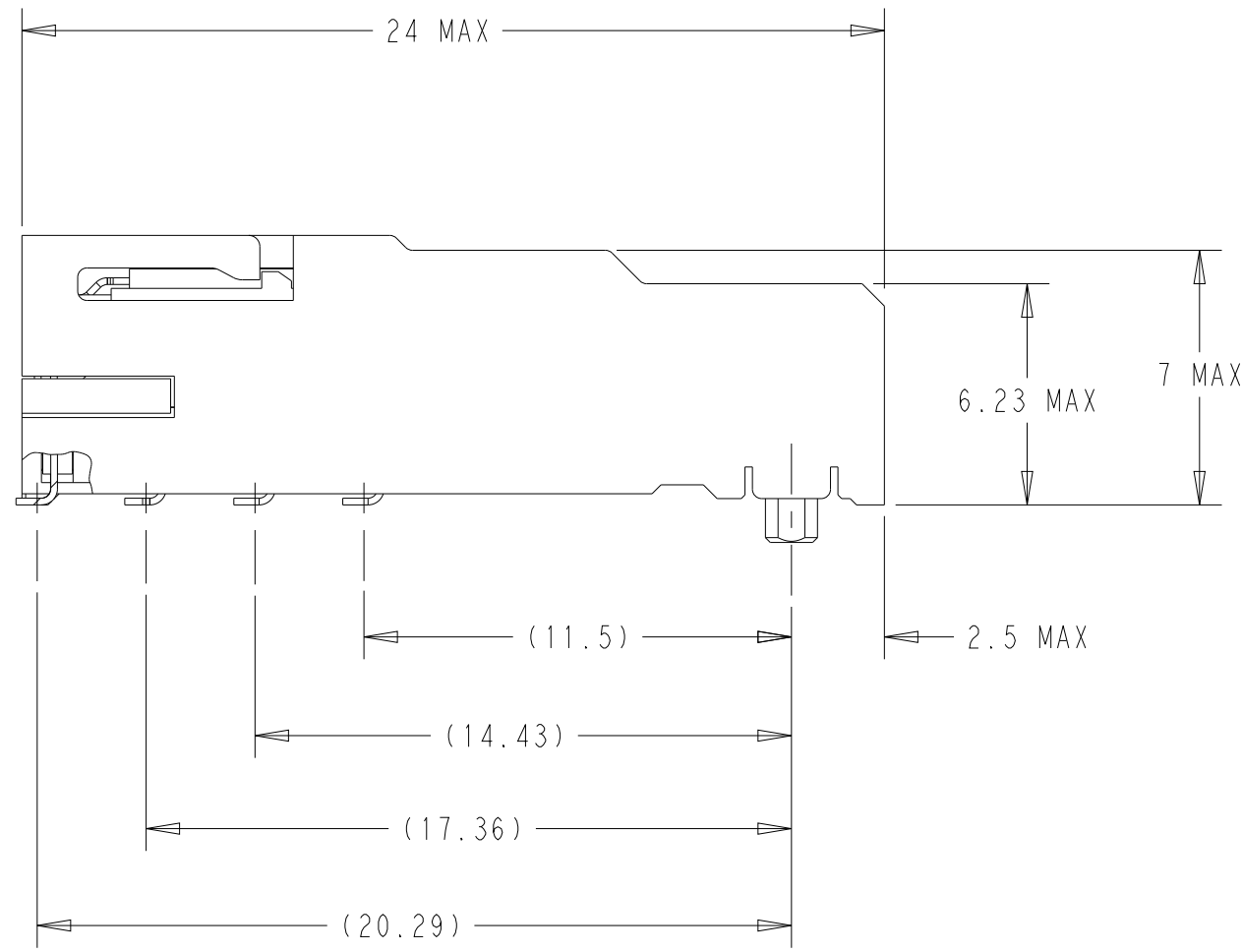


P	LTR	DESCRIPTION	DATE	DWN	APVD
A		REVISED PER ECN-22-144579	21MAR2022	AP	JW



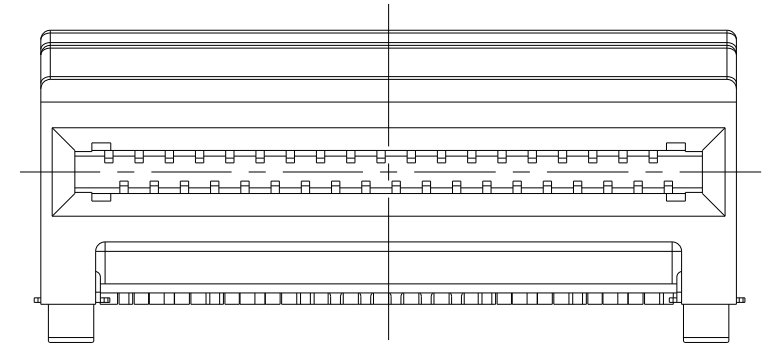
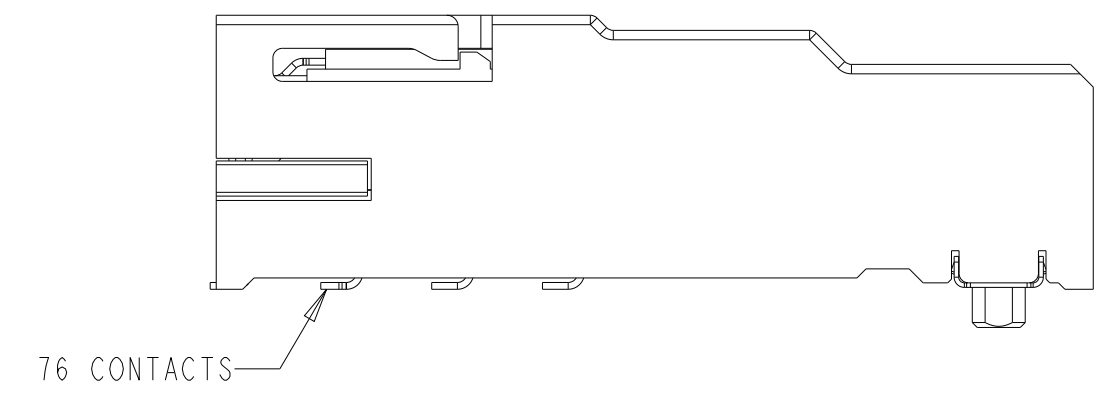
2372133-1
SCALE 4:1

- 1 HOUSING, INSERT AND CONTACT OVERMOLDS: LCP, BLACK.
CONTACTS: COPPER ALLOY.
SOLDER WASHERS: NICKEL SILVER.
- 2 CONTACTS: 0.76µm GOLD ON MATING INTERFACE.
TIN PLATED ON PCB TAILS.
- 3. MINIMUM PC BOARD THICKNESS:
SINGLE SIDED = 1.57 MIN
DOUBLE SIDED = 2.2 MIN
- 4 DATUM AND BASIC DIMENSION ESTABLISHED BY CUSTOMER.
- 5 PART NUMBER AND DATE CODE MARKED IN APPROXIMATE AREA SHOWN.

REMARKS	DESCRIPTION	PART NUMBER
SEE SHEET 2	WITH SOLDER WASHERS	2372133-2
AS SHOWN	WITHOUT SOLDER WASHERS	2372133-1

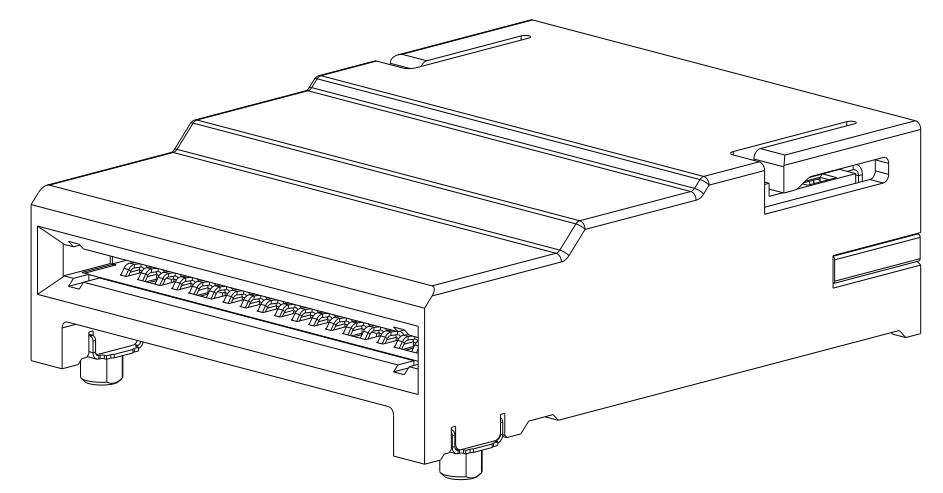
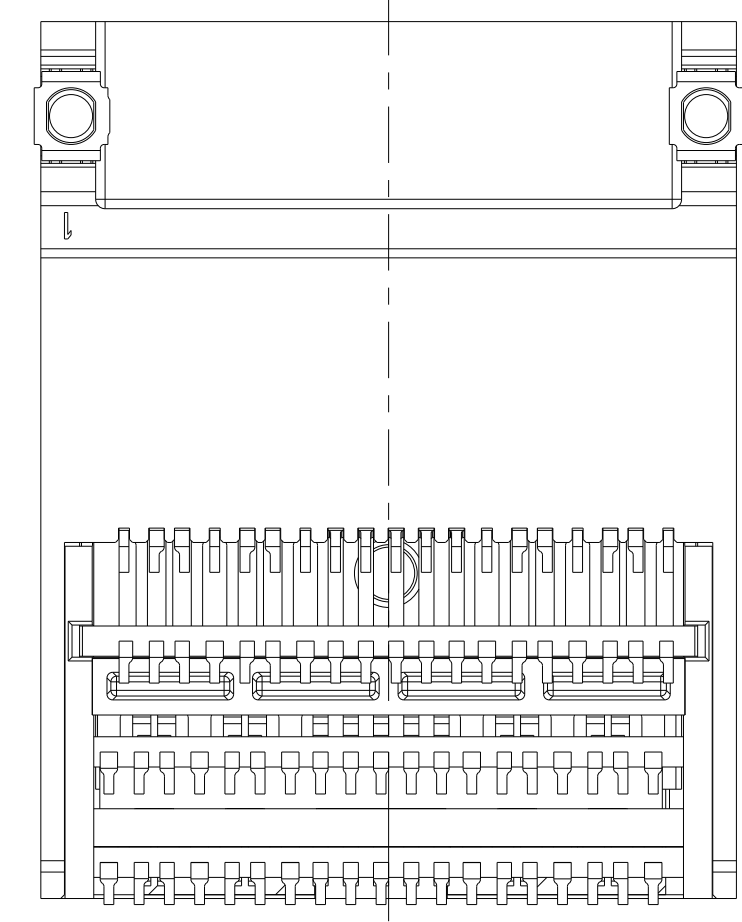
THIS DRAWING IS A CONTROLLED DOCUMENT.		DWN M. SHIRK 07OCT2020	TE Connectivity	
DIMENSIONS: mm		CHK M. PHILLIPS 07OCT2020		
TOLERANCES UNLESS OTHERWISE SPECIFIED:		APVD M. PHILLIPS 07OCT2020	NAME RECEPTACLE ASSEMBLY, 76 POSITION, QSFP DD 112	
0 PLC ±0.1 1 PLC ±0.1 2 PLC ±0.1 3 PLC ± 4 PLC ± ANGLES ± FINISH ±		PRODUCT SPEC 108-130016	SIZE A2	
MATERIAL -1		APPLICATION SPEC 114-130007	CAGE CODE 00779	DRAWING NO C-2372133
		WEIGHT -	RESTRICTED TO -	
		CUSTOMER DRAWING	SCALE 5:1	SHEET 1 OF 3 REV A

REVISIONS					
P	LTR	DESCRIPTION	DATE	DWN	APVD
-		SEE SHEET 1	-	-	-



2372133-2

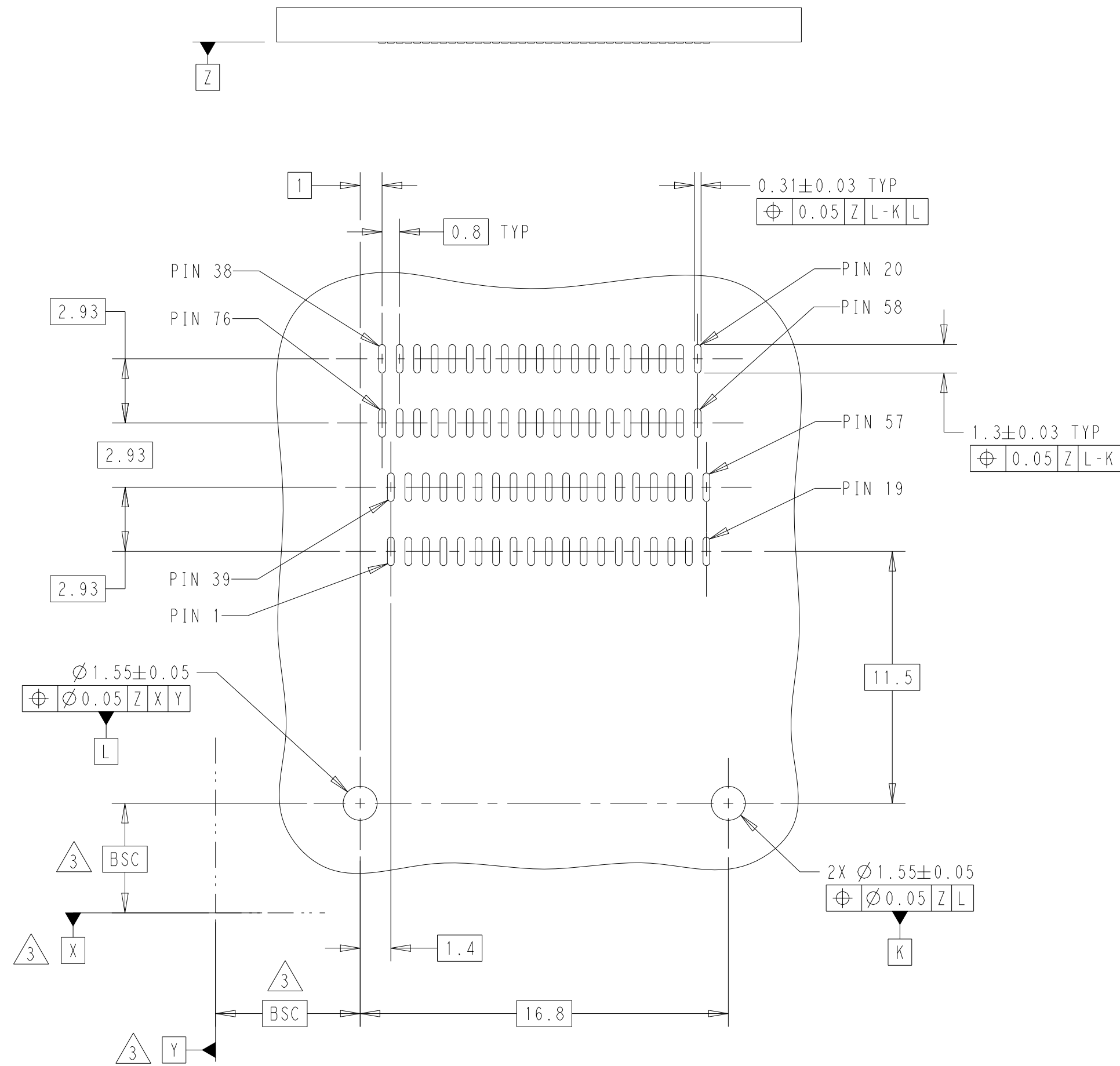
2X SOLDER WASHER



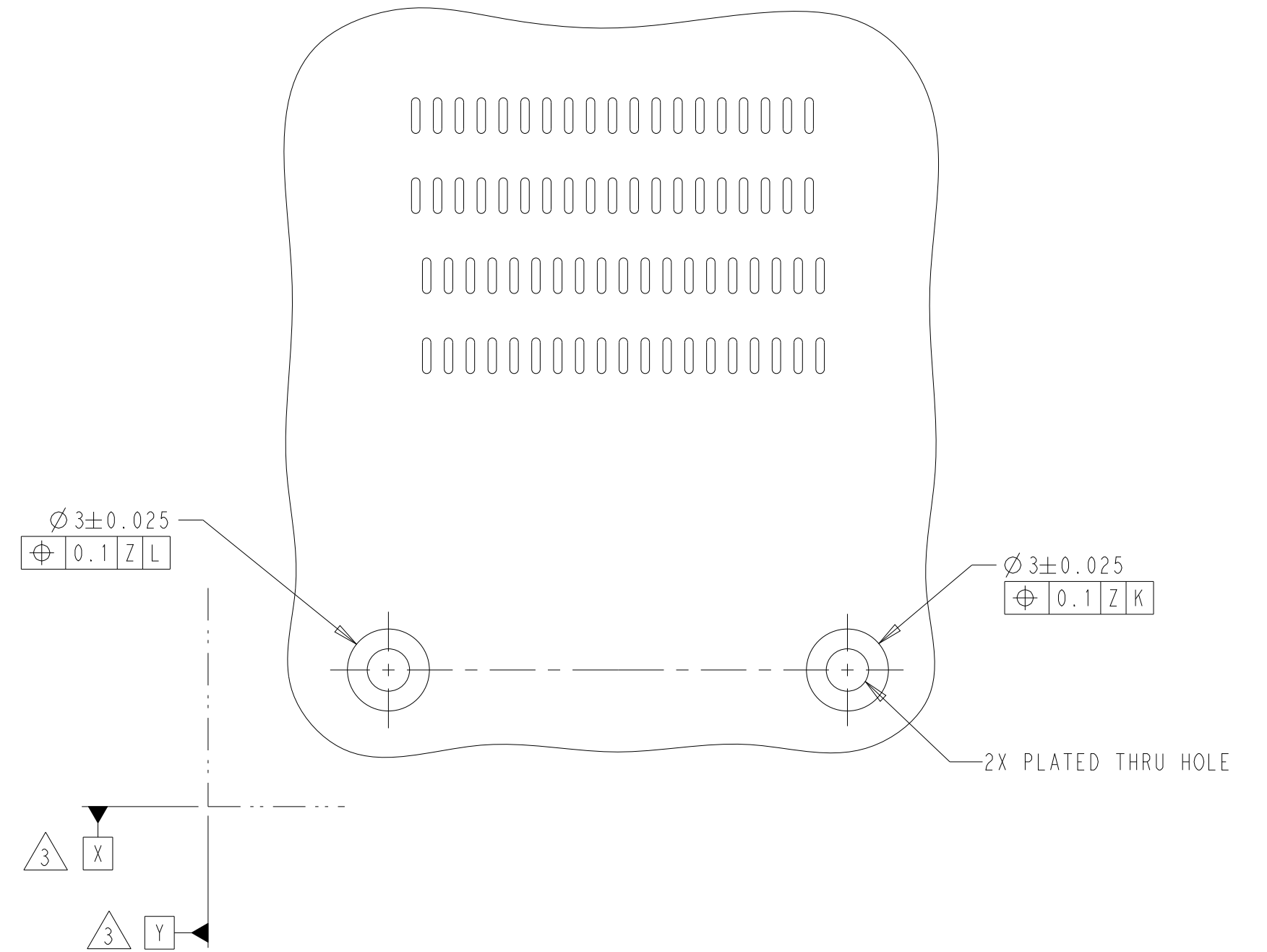
2372133-2
SCALE 4:1

THIS DRAWING IS A CONTROLLED DOCUMENT.		DWN M. SHIRK 07OCT2020																		
DIMENSIONS: mm		CHK M. PHILLIPS 07OCT2020																		
TOLERANCES UNLESS OTHERWISE SPECIFIED:		APVD M. PHILLIPS 07OCT2020	NAME RECEPTACLE ASSEMBLY, 76 POSITION, QSFP DD 112																	
<table border="1"> <tr><td>0 PLC</td><td>±0.1</td></tr> <tr><td>1 PLC</td><td>±0.1</td></tr> <tr><td>2 PLC</td><td>±0.1</td></tr> <tr><td>3 PLC</td><td>±</td></tr> <tr><td>4 PLC</td><td>±</td></tr> <tr><td>ANGLES</td><td>±</td></tr> <tr><td>FINISH</td><td>±</td></tr> </table>		0 PLC	±0.1	1 PLC	±0.1	2 PLC	±0.1	3 PLC	±	4 PLC	±	ANGLES	±	FINISH	±	PRODUCT SPEC 108-130016	SIZE A2	CAGE CODE 00779	DRAWING NO C-2372133	RESTRICTED TO -
0 PLC	±0.1																			
1 PLC	±0.1																			
2 PLC	±0.1																			
3 PLC	±																			
4 PLC	±																			
ANGLES	±																			
FINISH	±																			
MATERIAL -		APPLICATION SPEC 114-130007	SCALE 5:1			SHEET 2 OF 3	REV A													
		WEIGHT -	CUSTOMER DRAWING																	

P	LTR	DESCRIPTION	DATE	DWN	APVD
-	-	SEE SHEET 1	-	-	-



2372133-1
RECOMMENDED PCB LAYOUT



2372133-2
RECOMMENDED PCB LAYOUT
SAME AS 2372133-1 EXCEPT AS NOTED

THIS DRAWING IS A CONTROLLED DOCUMENT.		DWN M. SHIRK 07OCT2020	TE Connectivity	
DIMENSIONS: mm		CHK M. PHILLIPS 07OCT2020		
TOLERANCES UNLESS OTHERWISE SPECIFIED:		APVD M. PHILLIPS 07OCT2020	NAME RECEPTACLE ASSEMBLY, 76 POSITION, QSFP DD 112	
0 PLC ±0.1 1 PLC ±0.1 2 PLC ±0.1 3 PLC ± 4 PLC ± ANGLES ± FINISH -		PRODUCT SPEC 108-130016	SIZE A2	
MATERIAL -		APPLICATION SPEC 114-130007	CAGE CODE 00779	DRAWING NO C-2372133
-		WEIGHT -	RESTRICTED TO -	SCALE 5:1
-		CUSTOMER DRAWING	SHEET 3 OF 3	REV A