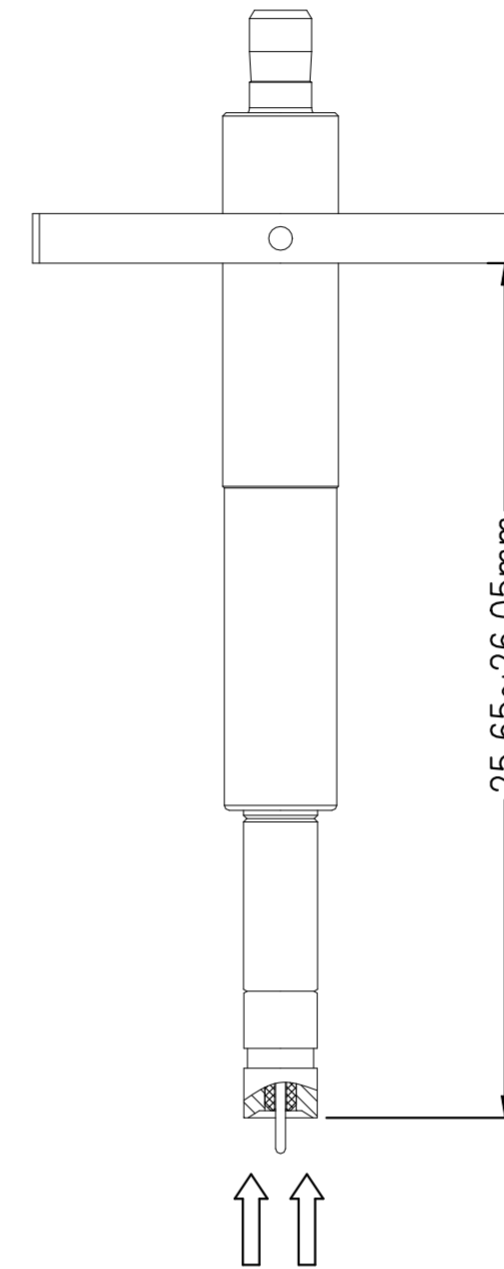
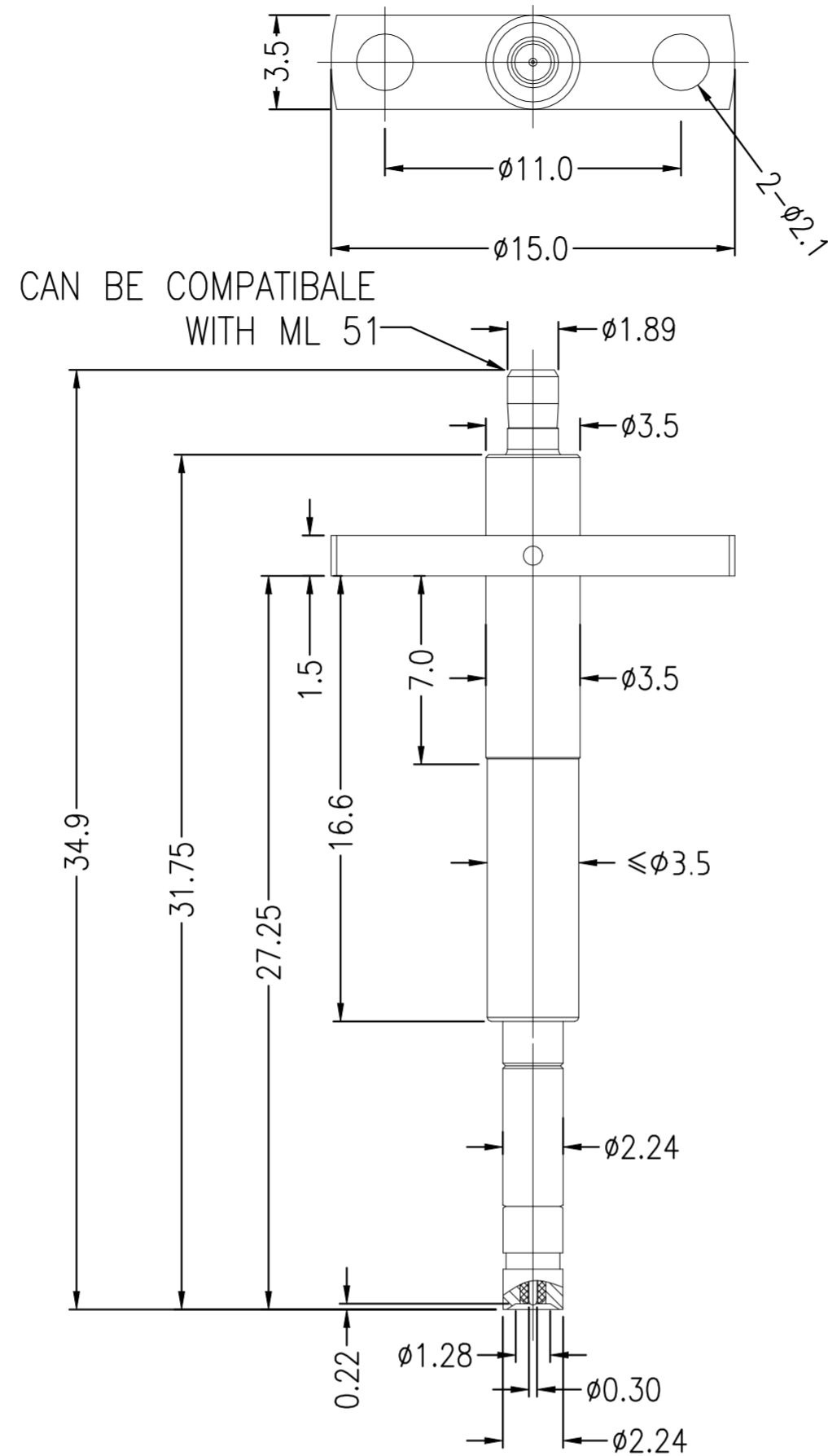


REVISIONS				
P	LTR	DESCRIPTION	DATE	APVD
A		ECN-22-152748	11MAY2022	PZ WKH



OUTER CONTACT PRESSURE 3.5+/-1N

ELECTRICAL	MECHANICAL	ENVIRONMENTAL
Impedance (Ohm): 50 Frequency Range: DC to 9GHz Voltage Rating (Peak) @ Sea Level 170 V RMS Insulation Resistance (MIN.) 500 M ohms Contact Resistance (mohms MAX) Center Contact 50 Outer Contact 20 Dielectric Withstand Voltage: 500 V RMS Max Insertion Loss : <0.6 dB @0-6GHz <0.8 dB @6-9GHz VSWR: 1.3 max @ DC~6GHz 1.5 max @ 6GHz~9GHz	Interface Dimension IV SWITCH Force to Engage and Disengage Engage: N/A Disengage: N/A CONDUCTOR ELASTICITY: OUTER CONDUCTOR ELASTICITY(PRESS 1.4±0.2mm) 250gf~450gf INNER CONDUCTOR ELASTICITY(PRESS 0.8±0.2mm) 200gf~320gf Cable Retention Axial (Lbs) N/A Mating cycles 10000 cycles (IV SWITCH)	TEMPERATURE RANGE -40 °C~+85 °C ROHS COMPLIANT

2408016-1	SPRING	STAINLESS STEEL	PASSIVATION
	CONTACT PIN	BERYLLIUM COPPER	PL.GOLD/NICKEL/COPPER
	INSULATOR	PTFE MIL-P-19468	N/A
	BODY	BRASS C3604	PL.NICKEL/COPPER
PART NUMBER	MATERIAL	PLATING	

THIS DRAWING IS A CONTROLLED DOCUMENT.		DWN	18FEB2022		TEST PROBE FOR RF SWITCH 4 ADAPTOR		
DIMENSIONS: mm		CHK	18FEB2022				
TOLERANCES UNLESS OTHERWISE SPECIFIED:		APVD	18FEB2022				
0 PLC ± - 1 PLC ± 0.2 2 PLC ± 0.1 3 PLC ± 0.05 4 PLC ± - ANGLES ± 5°		NAME					
MATERIAL	FINISH	WEIGHT		SIZE	CAGE CODE	DRAWING NO	RESTRICTED TO
				A2	00779	C=2408016	
CUSTOMER DRAWING			SCALE	1:1	SHEET	1 of 1	REV
							A