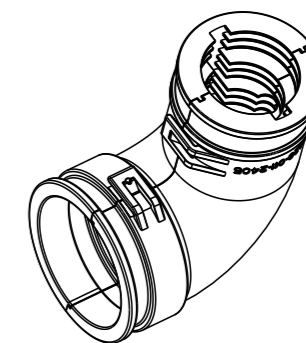
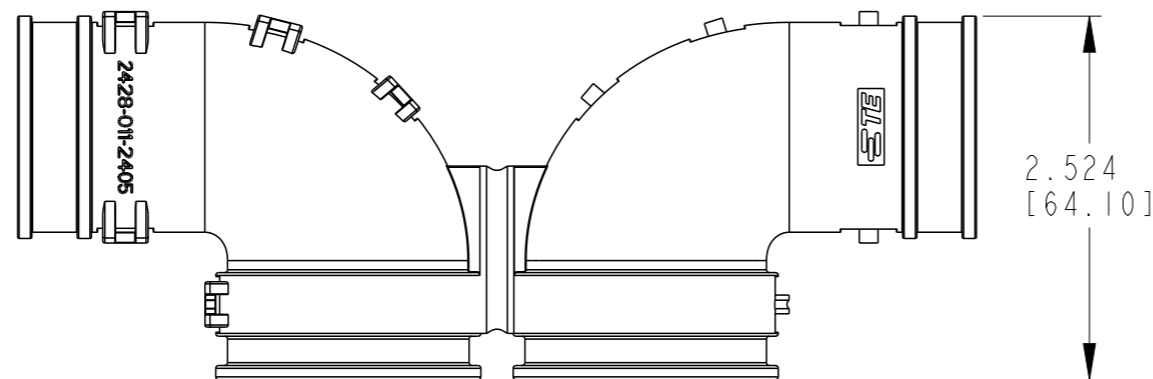
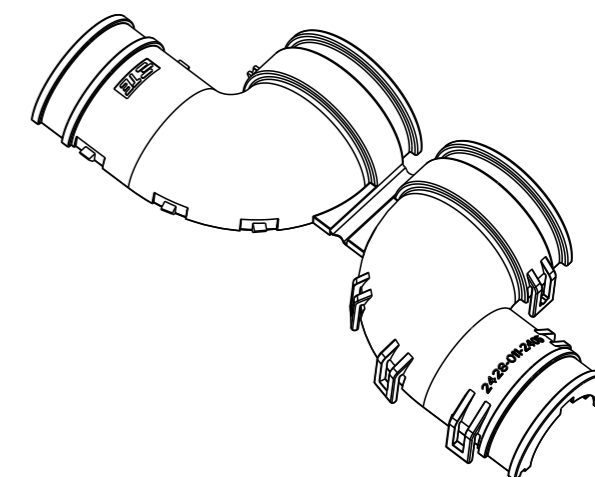
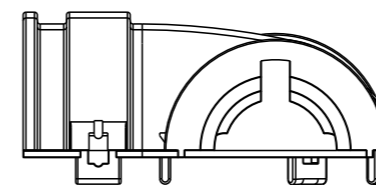
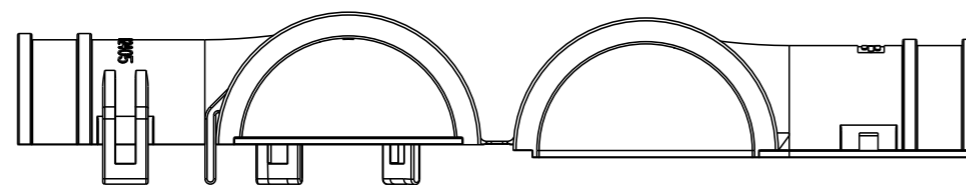
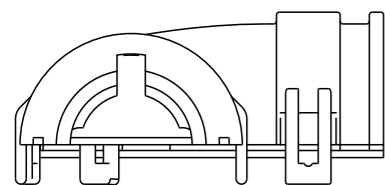


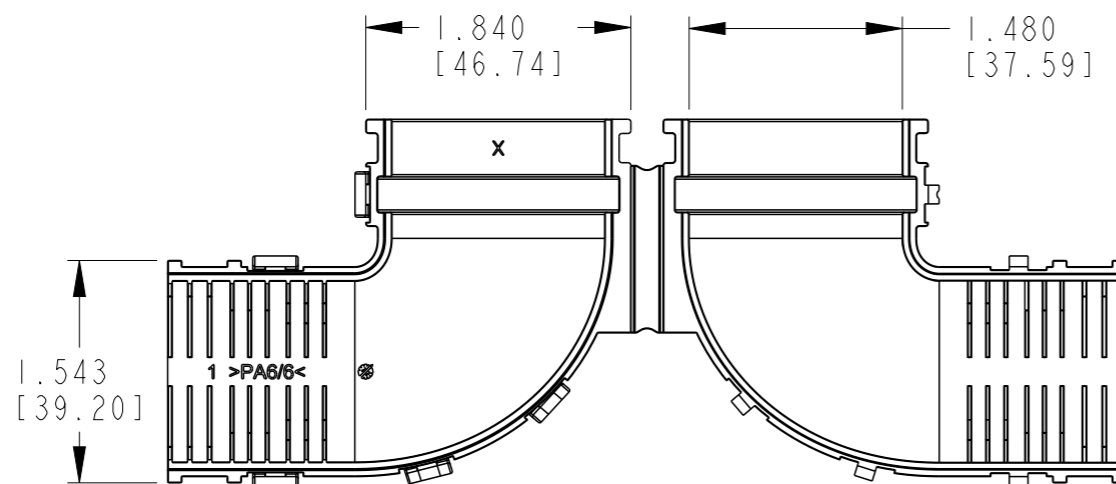
P	LTR	DESCRIPTION	DATE	DWN	APVD
NC		NEW RELEASE PER E.O. P18688	11DEC2007		RDR
A		REVISED PER E.O. P20010	01OCT2008		RDR
A1		REVISED PER ECR-20-014242	22OCT2020	EC	IG
A2		REVISED PER PCN-22-153957	18AUG2022	SN	AW



**3-D VIEW**  
CLOSED



**3-D VIEW**  
OPEN



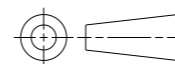
3. COLOR: BLACK

2. THIS PART ACCOMMODATES CORRUGATED TUBES SIZES NW 17, 19, 23, AND 26.

1. THIS PART MATES WITH HDP24/26-24-\*P/S\*-L017.

THIS DRAWING IS A CONTROLLED DOCUMENT.

DIMENSIONS:  
IN



TOLERANCES UNLESS OTHERWISE SPECIFIED:

0 PLC	±-
1 PLC	±-
2 PLC	±-
3 PLC	±.025 [.63]
4 PLC	±-
ANGLES	±-
FINISH	-

MATERIAL  
VYDYNE 47H  
PA 6/6

DWN 20OCT2004  
R. MESSENGER

CHK 30SEP2008  
J. APOSTOL

APVD 30SEP2008  
R. REED

PRODUCT SPEC

108-151015

APPLICATION SPEC

114-151015

WEIGHT 36 g

CUSTOMER DRAWING

**STE** TE Connectivity

NAME  
RIGHT ANGLE BACK SHELL 24 SIZE  
NW 17, 19, 23, 26 HDP SERIES

SIZE CAGE CODE DRAWING NO RESTRICTED TO

A3 00779 C-2428-011-2405 -

SCALE 1.000 SHEET 1 OF 1 REV A2