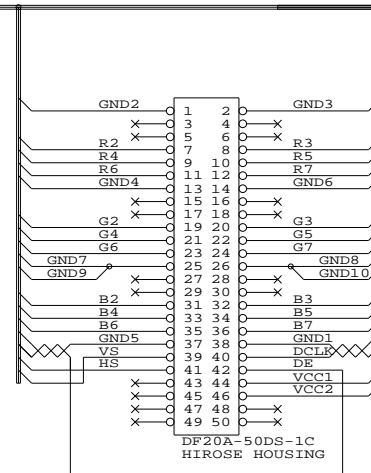
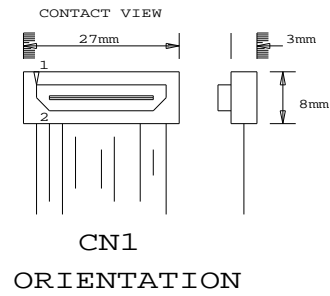
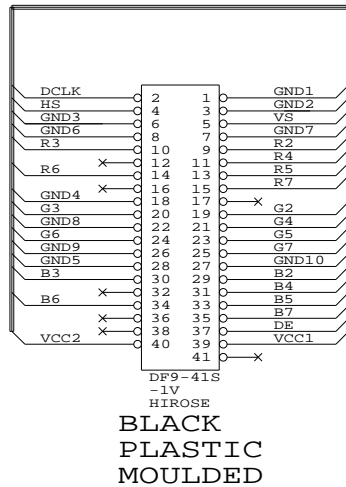


PANEL SIDE



CABLE: UL1571, 30AWG , COLOR CODED
 INNER SHIELDING: COPPER MESH
 OUTER SHIELDING: NYLON MESH FOR INSULATION

DCLK/GND1 & DE/GND5 MUST USE TWISTED PAIR WIRE

REMARK: SVH-1920 VERSION OF 426314600-3

P/N 426501000-3
 PANEL CABLE: TX31D30VC1CAA, 330mm

DIGITAL VIEW LTD.		
COPYRIGHT 2006, ALL RIGHTS RESERVED		
CONFIDENTIAL		
DRAWN BY: VICTOR NG		
Title		
P.CABLE: TX31D30VC1CAA,330mm		
Size Document Number		
B	(G:\...\DV\DV_CABLE\C6501000.SCH)	REV
Date:	August 21, 2006	Sheet 1 of 1