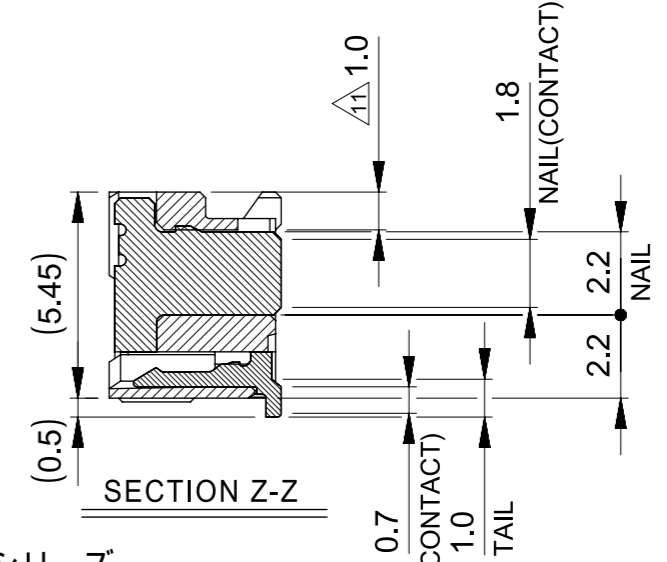
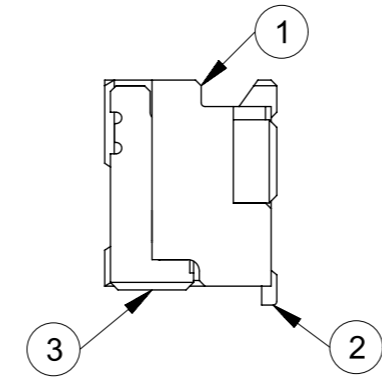
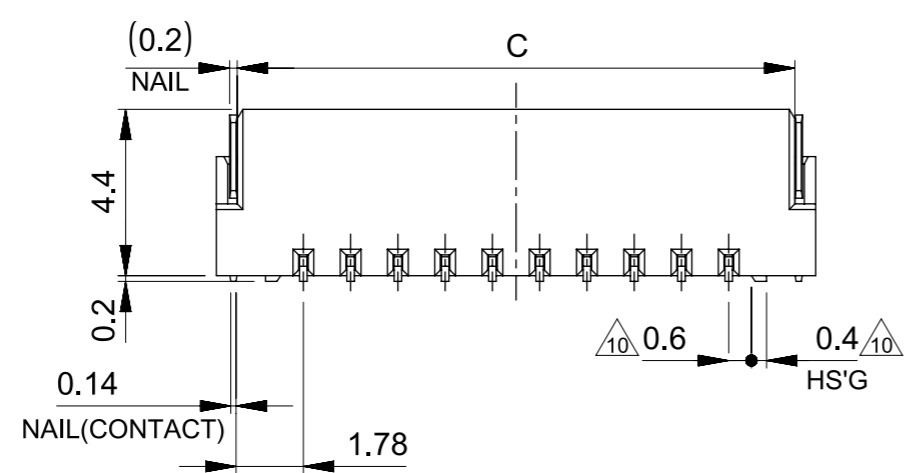
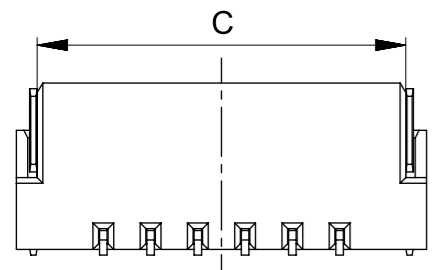
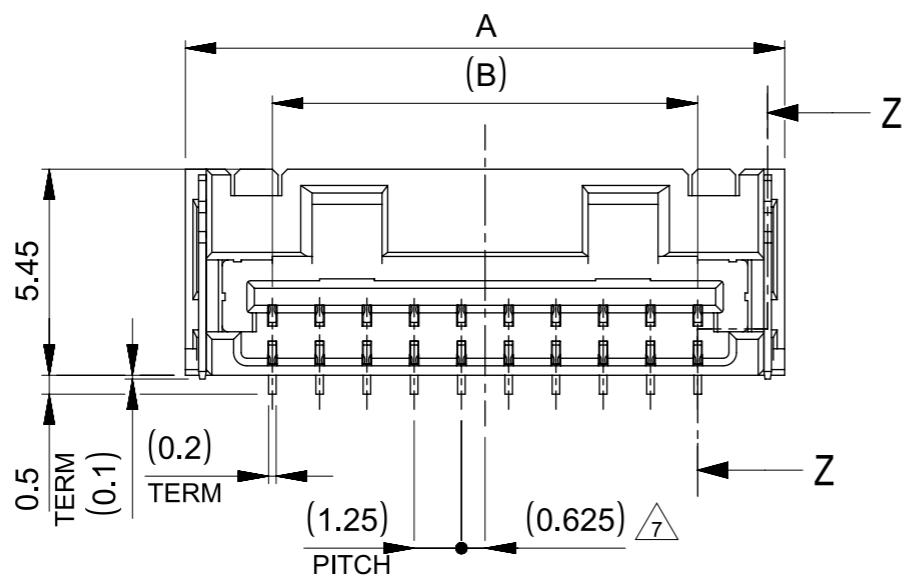
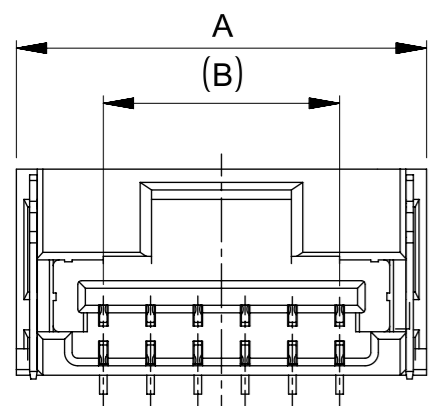
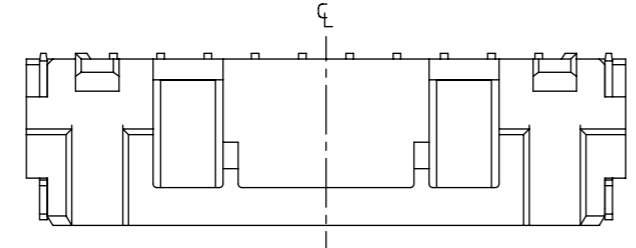
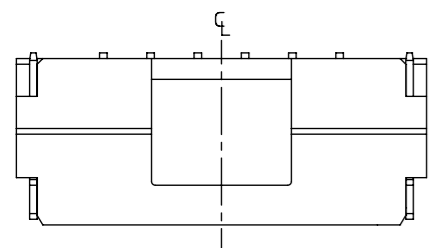
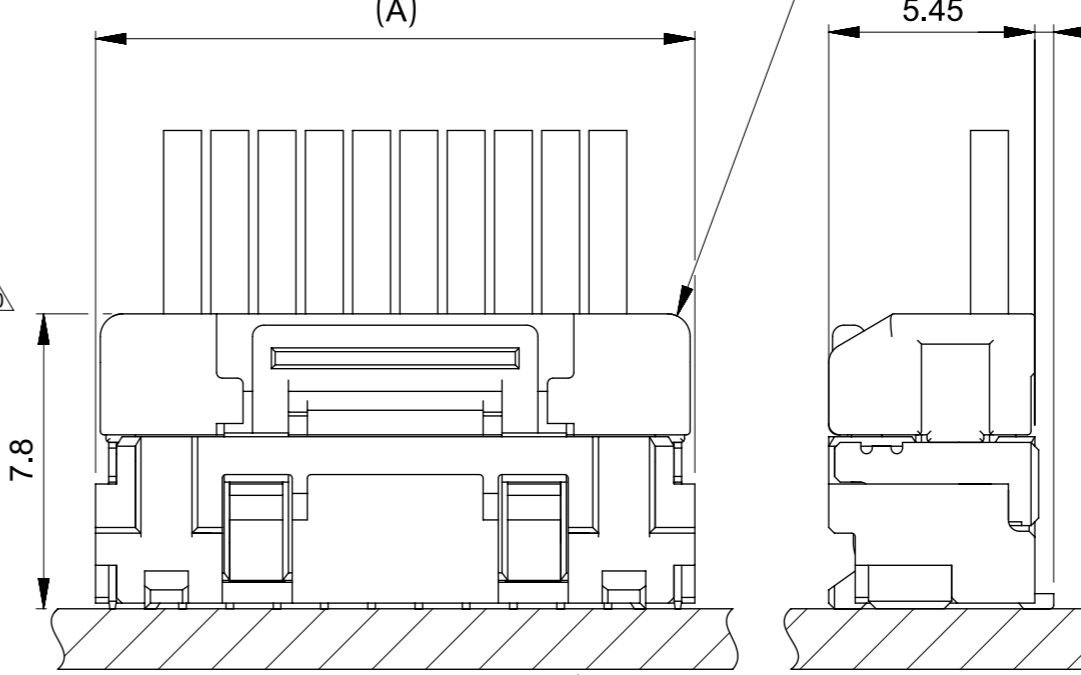


FORM OF 2-7 CIRCUIT

FORM OF 8-15 CIRCUIT



嵌合相手：502380シリーズ  
MATE WITH:502380 SERIES



4 嵌合図  
MATED CONNECTORS

21	17.5	22.1	15
19.75	16.25	20.85	14
18.5	15	19.6	13
17.25	13.75	18.35	12
16	12.5	17.1	11
14.75	11.25	15.85	10
13.5	10	14.6	9
12.25	8.75	13.35	8
11	7.5	12.1	7
9.75	6.25	10.85	6
8.5	5	9.6	5
7.25	3.75	8.35	4
6	2.5	7.1	3
4.75	1.25	5.85	2
C	B	A	極数 CIRCUIT SIZE

1 TABLE 1

番号 NO.	部品 PART	材質 MATERIAL
①	ハウジング HOUSING	ポリアミド(PA) UL94V-0 色 : ナチュラル POLYAMIDE(PA) UL94V-0 COLOR : NATURAL
②	ターミナル TERMINAL	銅合金 COPPER ALLOY
		金めっき : 0.1 micro-meter MIN. GOLD PLATING ニッケルめっき(下地) : 1.0 micro-meter MIN. NICKEL (UNDER PLATING)
③	ネイル NAIL	銅合金 COPPER ALLOY
		錫めっき : 1.0 micro-meter MIN. MATTE TIN PLATING ニッケルめっき(下地) : 1.0 micro-meter MIN. NICKEL (UNDER PLATING)

DOCUMENT STATUS	P1	RELEASE DATE	2018/09/14	07:01:27
-----------------	----	--------------	------------	----------

THIS DRAWING CONTAINS INFORMATION THAT IS PROPRIETARY TO MOLEX ELECTRONIC TECHNOLOGIES, LLC AND SHOULD NOT BE USED WITHOUT WRITTEN PERMISSION

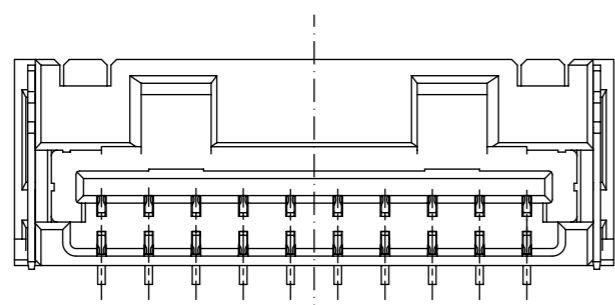
DIMENSION UNITS	SCALE	CURRENT REV DESC: REDRAWN AND REVISED
mm	NTS	
GENERAL TOLERANCES (UNLESS SPECIFIED)		
ANGULAR TOL	± 3.0 °	
4 PLACES	± 0.2	
3 PLACES	± 0.2	
2 PLACES	± 0.2	
1 PLACE	± 0.2	
0 PLACES	± 0.2	
DRAFT WHERE APPLICABLE MUST REMAIN WITHIN DIMENSIONS		

EC NO: 604371	DRWN: AISHIKAWA 2018/09/11	CHK'D: AIDA 2018/09/14	APPR: TKANEKO 2018/09/14
INITIAL REVISION:			
DRWN: AISHIKAWA 2018/09/11	APPR: TKANEKO 2018/09/14		

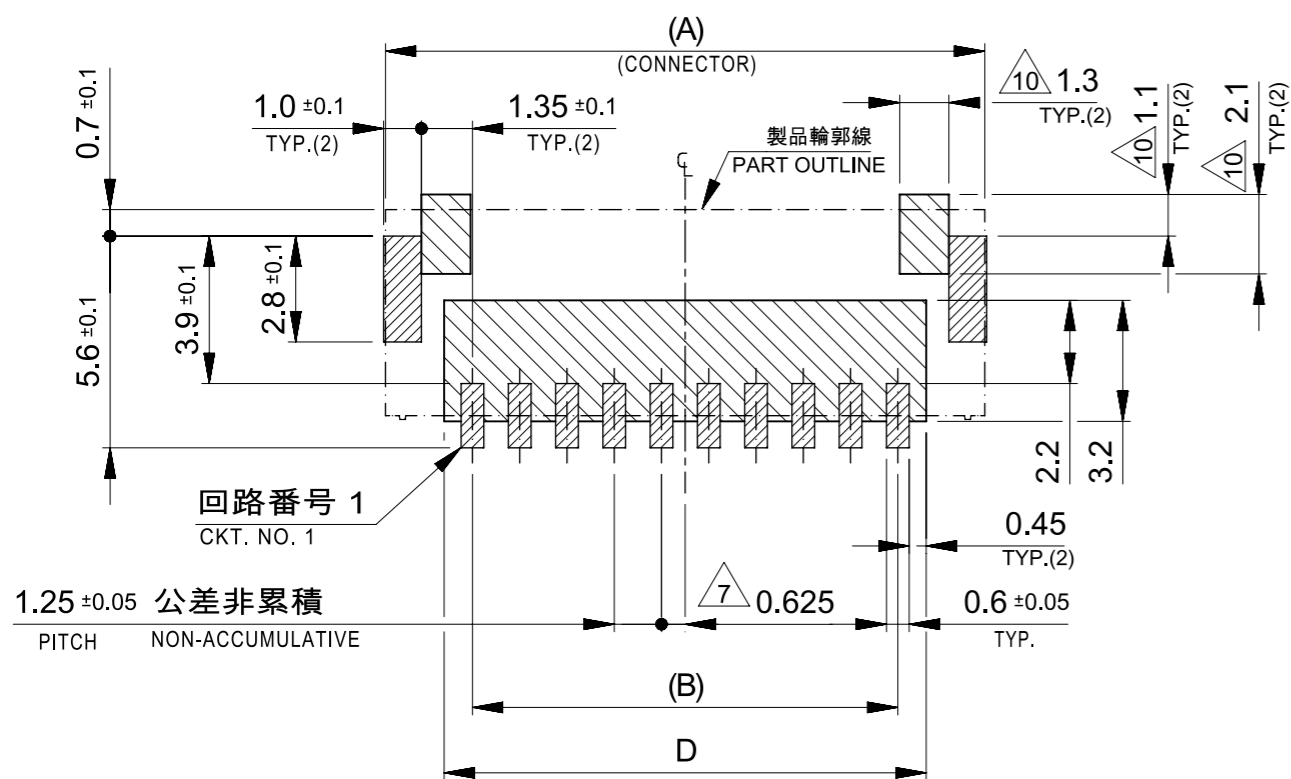
molex			
CLIK-MATE 1.25 SINGLE ROW S/T TYPE GOLD PLATING			
PRODUCT CUSTOMER DRAWING			
DOCUMENT NUMBER	DOC TYPE	DOC PART	REVISION
5023820000-SD	PSD	001	A
DRAFTING	SERIES	MATERIAL NUMBER	CUSTOMER
A3-SIZE	502382	SEE SHEET 4	GENERAL
SHEET NUMBER			1 OF 4

NOTE

1. 材料及び仕上げ(めっき仕様) : TABLE 1 参照  
MATERIAL AND FINISHES : SEE TABLE 1
2. 製品仕様書 : PS-502382-002  
PRODUCT SPECIFICATION:PS-502382-002
3. 梱包形態 : SHEET 4 参照  
PACKAGING INFORMATION : SEE SHEET 4
4. 嵌合相手 : 502380 シリーズ  
MATES WITH:502380 SERIES
5. アプリケーション仕様書(コネクタ取扱い説明書) : AS-502380-001(日本語版)/-002(英語版)  
APPLICATION SPECIFICATION(CONNECTOR MANNUAL):AS-502380-001(JAPANESE)/-002(ENGLISH)
6. 端子テール部及びネイルの平坦度:0.1 MAX.  
TAIL AND NAIL COPLANARITY TO BE 0.1 MAX.
7. 極数/2 = 偶数に適応  
APPLY FOR CIRCUIT SIZE / 2 =EVEN
8. ネイルに錫めっきを使用している為、外観に摺動痕が付く場合があります。  
THE WOUND OF FRICTION MIGHT ADHERE TO EXTERNALS BECAUSE THE TIN PLATING IS USED FOR THE NAIL.
9. 本製品のプラスチック部に黒点・白点等が確認される場合や色合いが異なる場合がありますが、製品性能に影響はありません。  
THERE IS NO INFLUENCE IN THE PRODUCT PERFORMANCE THOUGH THE BLACK AND WHITE SPOT ETC. MIGHT BE CONFIRMED TO THE PLASTIC PART OF THIS PRODUCT AND THE SHADE MIGHT BE DIFFERENT.
10. 8-15極のみ適応  
APPLY TO 8-15 CIRCUIT SIZE



製品レイアウト  
PRODUCT LAYOUT



推奨基板レイアウト : 実装面側  
(参考 : 基板厚 1.6mm, メタルマスク厚さ 0.15mm, マスク開口率100%)

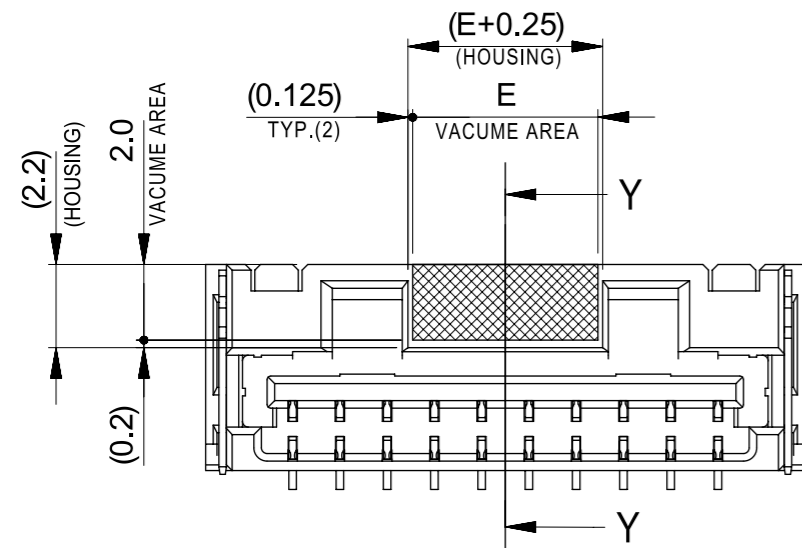
SUGGESTED PCB LAYOUT : COMPONENT SIDE  
(REFERENCE: PCB THICKNESS 1.6mm, STENCIL THICKNESS 0.15mm, APERTURE RATIO 100%)

:パターン禁止エリア  
RESTRICTED AREA  
NO PCB COMPONENTS ALLOWED

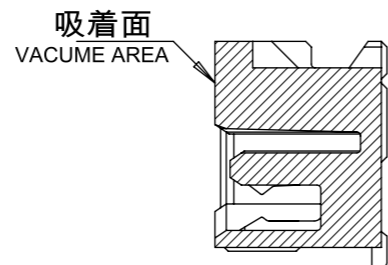
19	15
17.75	14
16.5	13
15.25	12
14	11
12.75	10
11.5	9
10.25	8
9	7
7.75	6
6.5	5
5.25	4
4	3
2.75	2
D	極数 CIRCUIT SIZE

THIS DRAWING CONTAINS INFORMATION THAT IS PROPRIETARY TO MOLEX ELECTRONIC TECHNOLOGIES, LLC AND SHOULD NOT BE USED WITHOUT WRITTEN PERMISSION									
DIMENSION UNITS	SCALE	CURRENT REV DESC: REDRAWN AND REVISED			<b>molex</b>				
mm	NTS								
GENERAL TOLERANCES (UNLESS SPECIFIED)		EC NO: 604371			CLIK-MATE 1.25 SINGLE ROW S/T TYPE GOLD PLATING				
ANGULAR TOL	± 3.0 °	DRWN: AISHIKAWA 2018/09/11							
4 PLACES	± 0.2	CHK'D: AIDA 2018/09/14			PRODUCT CUSTOMER DRAWING				
3 PLACES	± 0.2	APPR: TKANEKO 2018/09/14							
2 PLACES	± 0.2	INITIAL REVISION:			DOCUMENT NUMBER: 5023820000-SD				
1 PLACE	± 0.2	DRWN: AISHIKAWA 2018/09/11							
0 PLACES	± 0.2	APPR: TKANEKO 2018/09/14			DOC TYPE: PSD DOC PART: 001 REVISION: A				
DRAFT WHERE APPLICABLE MUST REMAIN WITHIN DIMENSIONS		THIRD ANGLE PROJECTION	DRAWING	SERIES					
			A3-SIZE	502382	SEE SHEET 4	GENERAL		2 OF 4	

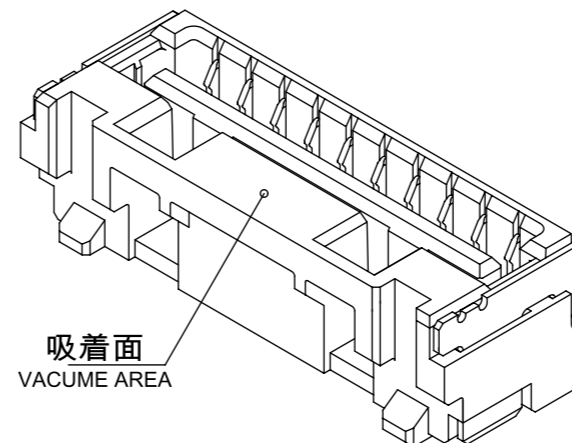
# CASE OF 8-15CIRCUIT



吸着範囲  
VACUME RANGE

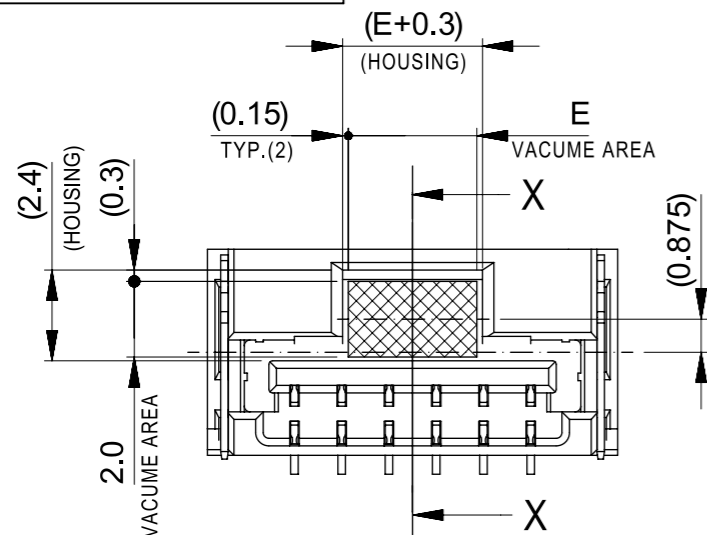


SECTION Y-Y

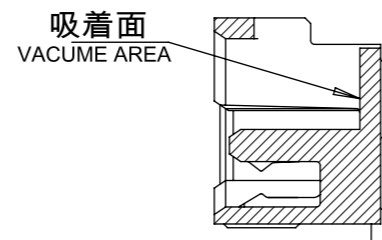


吸着面  
VACUME AREA

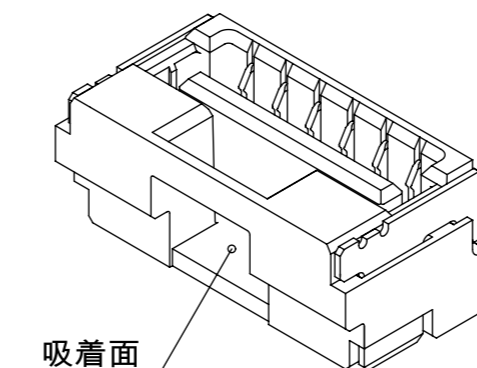
# CASE OF 2-7CIRCUIT



吸着範囲  
VACUME RANGE



SECTION X-X

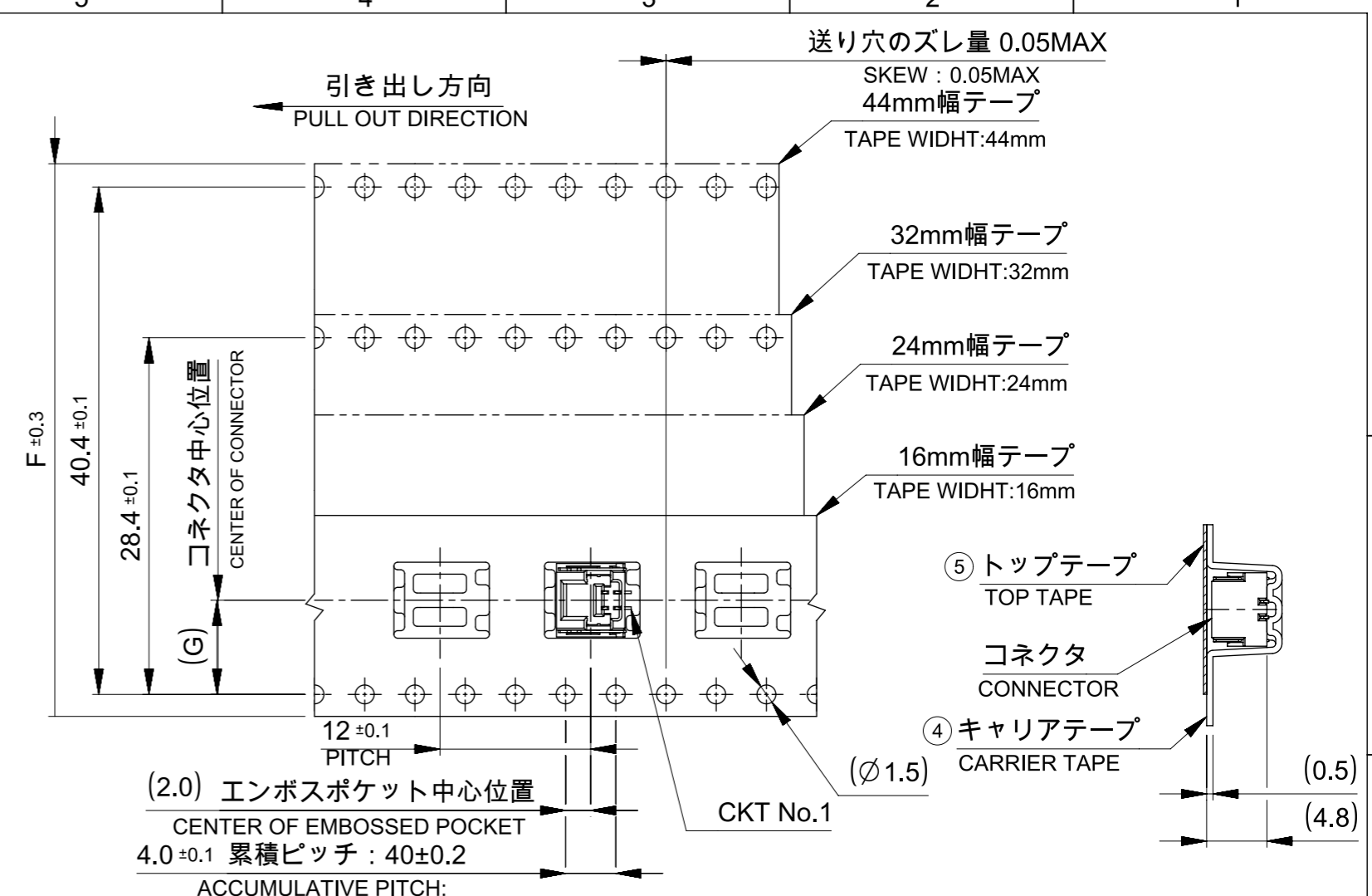
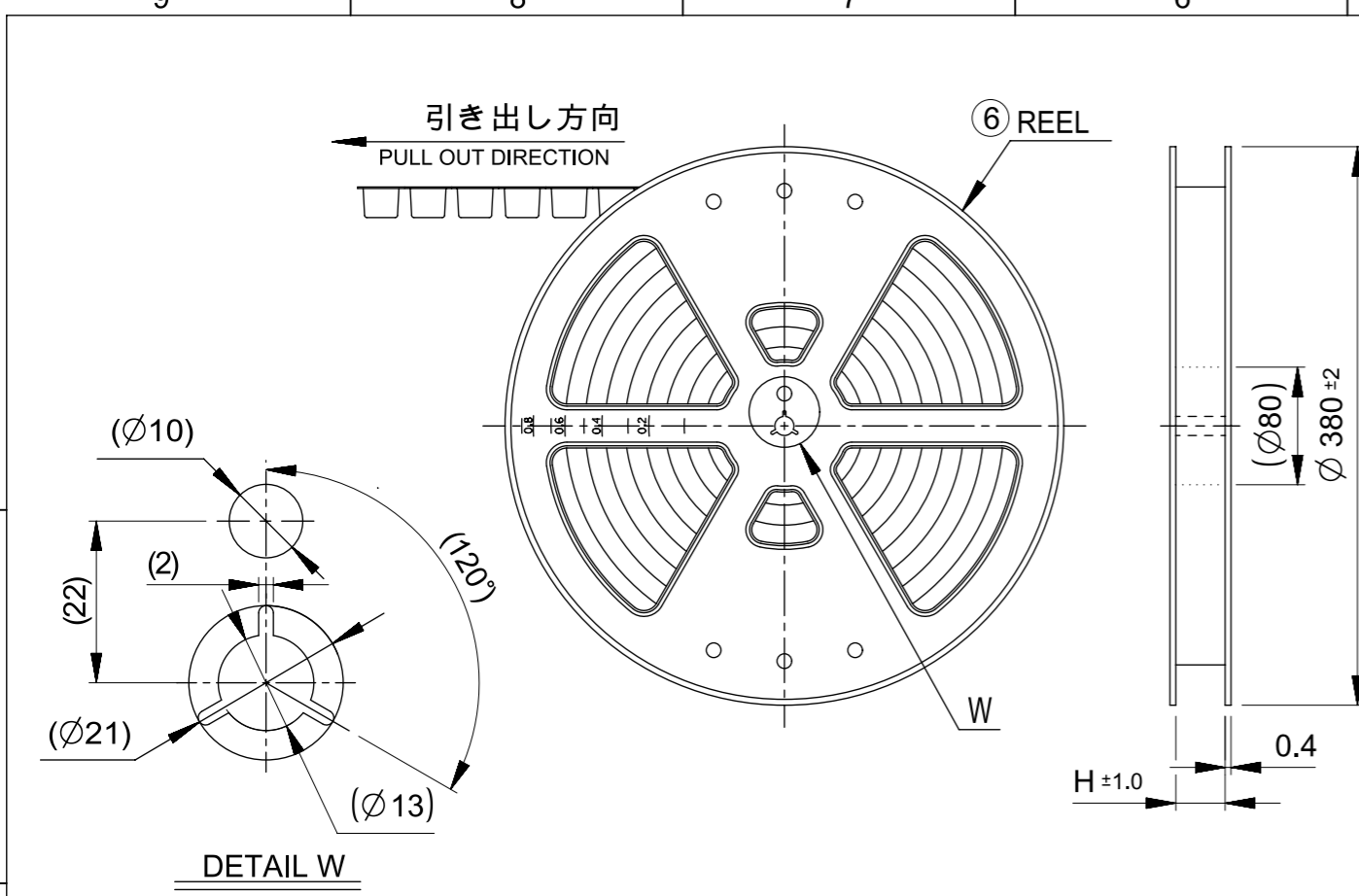


吸着面  
VACUME AREA

11.15	15
9.9	14
8.65	13
7.4	12
6.15	11
4.9	10
3.65	9
2.4	8
3.4	7
	6
	5
	4
2.7	3
2.3	2
E	極数 CIRCUIT SIZE

THIS DRAWING CONTAINS INFORMATION THAT IS PROPRIETARY TO MOLEX ELECTRONIC TECHNOLOGIES, LLC AND SHOULD NOT BE USED WITHOUT WRITTEN PERMISSION

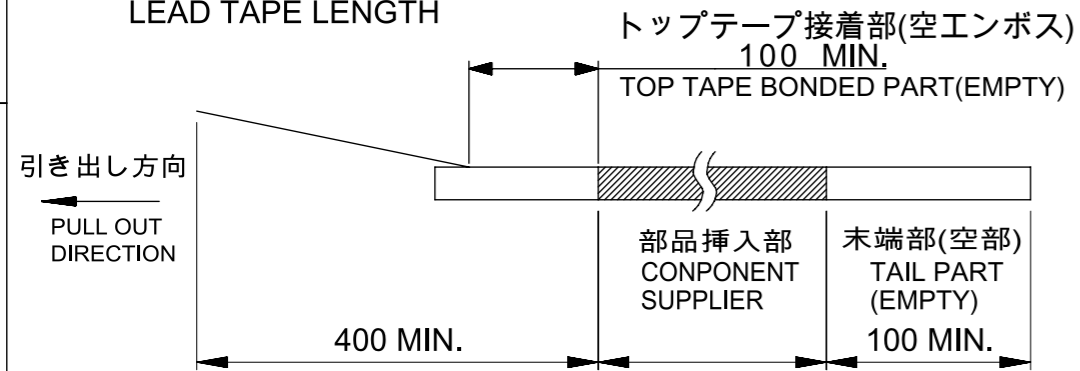
DIMENSION UNITS <b>mm</b>	SCALE <b>NTS</b>	CURRENT REV DESC: REDRAWN AND REVISED	<b>molex</b>		
GENERAL TOLERANCES (UNLESS SPECIFIED)		EC NO: 604371			
ANGULAR TOL	± 3.0 °	DRWN: AISHIKAWA 2018/09/11	PRODUCT CUSTOMER DRAWING		
4 PLACES	± 0.2	CHK'D: AIDA 2018/09/14	DOCUMENT NUMBER		
3 PLACES	± 0.2	APPR: TKANEKO 2018/09/14	5023820000-SD		
2 PLACES	± 0.2	INITIAL REVISION:	DOC TYPE	DOC PART	REVISION
1 PLACE	± 0.2	DRWN: AISHIKAWA 2018/09/11	PSD	001	A
0 PLACES	± 0.2	APPR: TKANEKO 2018/09/14	SHEET NUMBER		
DRAFT WHERE APPLICABLE MUST REMAIN WITHIN DIMENSIONS	THIRD ANGLE PROJECTION	DRAWING	SERIES	MATERIAL NUMBER	CUSTOMER
		A3-SIZE	502382	SEE SHEET 4	GENERAL



NOTES

12. 梱包数量 : 1400個/リール  
NUMBER OF CONNECTORS : 1400 PIECES/REEL

13. リードテープ長さ  
LEAD TAPE LENGTH



14. トップテープの剥離強度はIEC60286-3に準拠。  
TOP TAPE PEELING FORCE IS DEFINED BY IEC60286-3.

15. 本ドキュメントは、SD-502382-004,-005,-006を統合したものです。  
形状に関する変更はありません。  
THIS DOCUMENT IS A COMBINATION OF SD-502382-004,-005,-006.  
THERE IS NO CHANGE ON THE SHAPE.

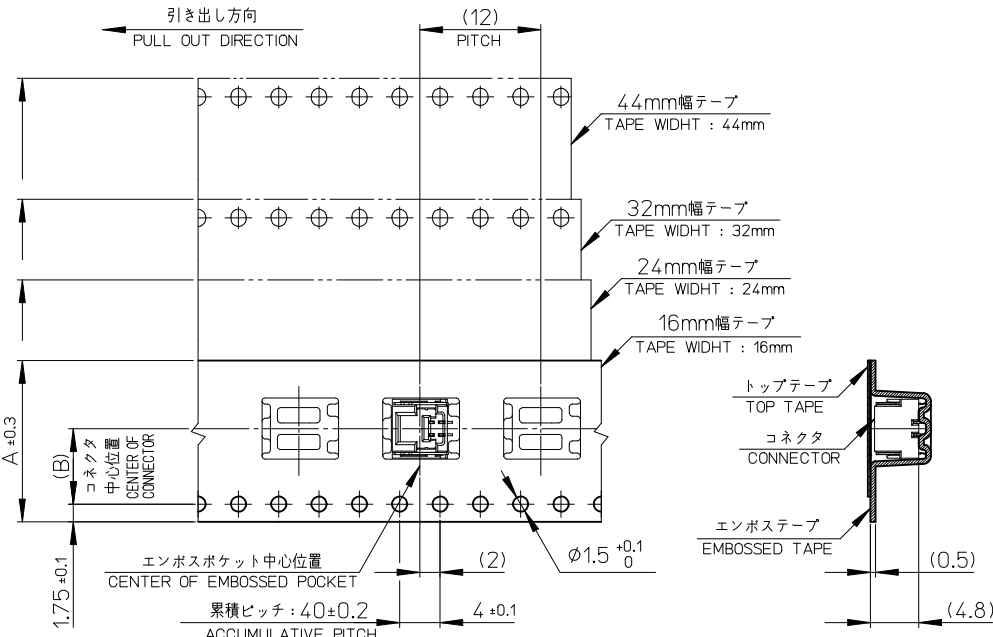
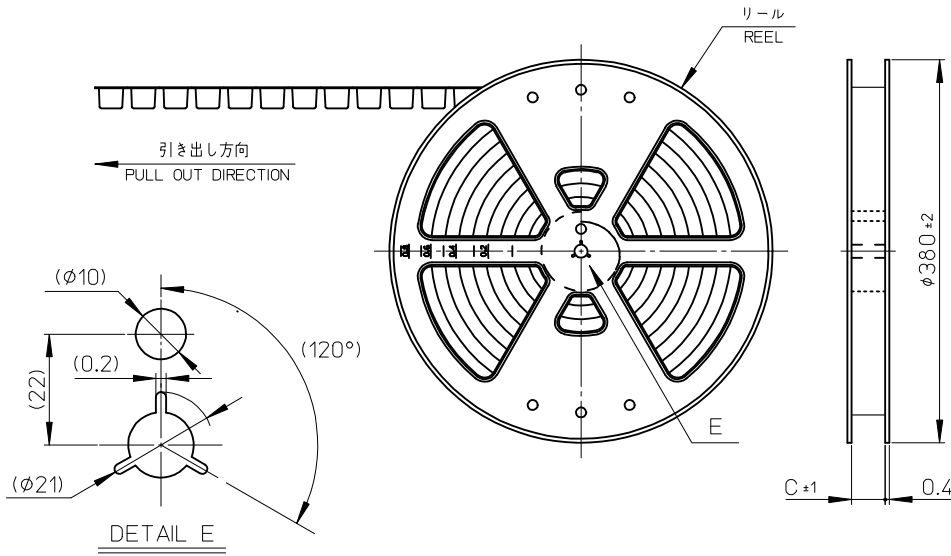
45.5	20.2	44±0.3	502382 1571	15
			↑ 1471	14
33.5	14.2	32±0.3	1371	13
			1271	12
			1171	11
			1071	10
25.5	11.5	24 <sup>+0.3</sup> <sub>-0.1</sub>	0971	9
			0871	8
			0771	7
			0671	6
			0571	5
			0471	4
17.5	7.5	16 <sup>+0.3</sup> <sub>-0.1</sub>	↓ 0371	3
			502382 0271	2
H	G	エンボステープ幅 F WIDTH OF TAPE	発注番号 ORDER No. PACKAGE : EMBOSSED REEL	極数 CIRCUIT SIZE

番号 NO.	部品 PART	材質 MATERIAL
④	キャリアテープ CARRIER TAPE	ポリスチレン(PS)、その他 POLYSTYRENE(PS), etc
⑤	トップテープ TOP TAPE	ポリエチレン(PE)、その他 POLYETHYLENE(PE), etc
⑥	リール REEL	ポリスチレン(PS) <リサイクル材を含む> POLYSTYRENE(PS) <RECYCLE MATERIAL CONTAINED>

THIS DRAWING CONTAINS INFORMATION THAT IS PROPRIETARY TO MOLEX ELECTRONIC TECHNOLOGIES, LLC AND SHOULD NOT BE USED WITHOUT WRITTEN PERMISSION

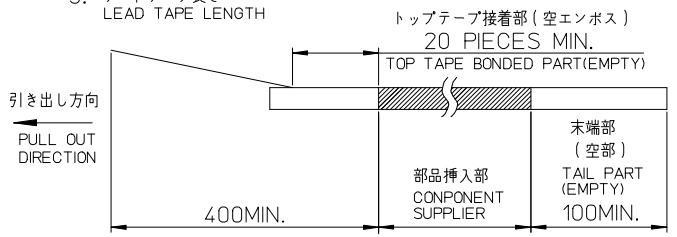
DIMENSION UNITS	SCALE	CURRENT REV DESC: REDRAWN AND REVISED	<b>molex</b>		
mm	NTS				
GENERAL TOLERANCES (UNLESS SPECIFIED)			CLIK-MATE 1.25 SINGLE ROW S/T TYPE GOLD PLATING		
ANGULAR TOL	± 3.0 °	EC NO: 604371	PRODUCT CUSTOMER DRAWING		
4 PLACES	± 0.2	DRWN: AISHIKAWA 2018/09/11	DOCUMENT NUMBER		
3 PLACES	± 0.2	CHK'D: AIDA 2018/09/14	DOC TYPE DOC PART REVISION		
2 PLACES	± 0.2	APPR: TKANEKO 2018/09/14	5023820000-SD PSD 001 A		
1 PLACE	± 0.2	INITIAL REVISION:	MATERIAL NUMBER		
0 PLACES	± 0.2	DRWN: AISHIKAWA 2018/09/11	CUSTOMER		
DRAFT WHERE APPLICABLE MUST REMAIN WITHIN DIMENSIONS			SEE SHEET 4 GENERAL		
THIRD ANGLE PROJECTION			SHEET NUMBER		
DRAWING			4 OF 4		
SERIES					
A3-SIZE 502382					

10 9 8 7 6 5 4 3 2 1



NOTES

- 製品詳細寸法は製品単体図面を参照して下さい。  
FOR DETAIL OF CONNECTOR DIMENSIONS, PLEASE SEE THE DRAWING OF CONNECTOR ITSELF (NOT PACKAGED).
- 梱包数量 : 1400個  
NUMBER OF CONNECTORS : 1400 PIECES/REEL.
- リードテープ長さ  
LEAD TAPE LENGTH



- 材料  
MATERIAL  
キャリアテープ : ポリスチレン  
CARRIER TAPE : POLYSTYRENE  
トップテープ : ポリエステル, ポリエチレン, ポリエチレンテレフタレート  
TOP TAPE : POLYESTER, POLYETHYLENE, POLYETHYLENE TEREPHTHALATE  
リール : ポリスチレン <リサイクル材を含む>  
REEL : POLYSTYRENE <RECYCLE MATERIAL CONTAINED>
- ELV AND RoHS COMPLIANT.

45.5	20.2	44	502382-1407	502382-1471	14
33.5	14.2	32	-1207	-1271	12
33.5	14.2	32	-1007	-1071	10
25.5	11.5	24	-0907	-0971	9
25.5	11.5	24	-0607	-0671	6
25.5	11.5	24	-0507	-0571	5
25.5	11.5	24	-0407	-0471	4
17.5	7.5	16	502382-0307	502382-0371	3
C	B	エンボステープ幅 A WIDTH OF TAPE	コネクタ CONNECTOR	製品番号 MATERIAL NO.	モデル番号 MODEL NO. (KT. NO.)

REVISED EC NO: J2009-0677 DRWN: YA0YAGI 2008/10/20 CHKD: THARUYAMA 2008/10/21 APPR: NUKITA 2008/10/21	DESCRIPTION	GENERAL TOLERANCES (UNLESS SPECIFIED)		DIMENSION STYLE		SCALE		DESIGN UNITS		TITLE 1.25 W/B CONN. SINGLE S/T REC. EMBTP PKG
		10 UNDER ±0.2		MM ONLY		---		METRIC		
		10 OVER 30 UNDER ±0.25		DRAWN BY DATE		TITLE		THIRD ANGLE PROJECTION		
		30 OVER ±0.3		Y. A0YAGI 2007/06/28		MOLEX INCORPORATED		DOCUMENT NO.		
A	REV	ANGULAR ±3 °		MATERIAL NO.		SEE TABLE		SD-502382-006		SHEET NO. 1 OF 1
		DRAFT WHERE APPLICABLE MUST REMAIN WITHIN DIMENSIONS		SIZE A3		THIS DRAWING CONTAINS INFORMATION THAT IS PROPRIETARY TO MOLEX INCORPORATED AND SHOULD NOT BE USED WITHOUT WRITTEN PERMISSION				