

**ebm-papst St. Georgen GmbH & Co. KG**

Hermann-Papst-Str. 1  
 D-78112 St. Georgen  
 Phone +49 (0) 7724 81-0  
 Fax +49 (0) 7724 81-1309  
 info2@de.ebmpapst.com  
 www.ebmpapst.com

**Nominal data**

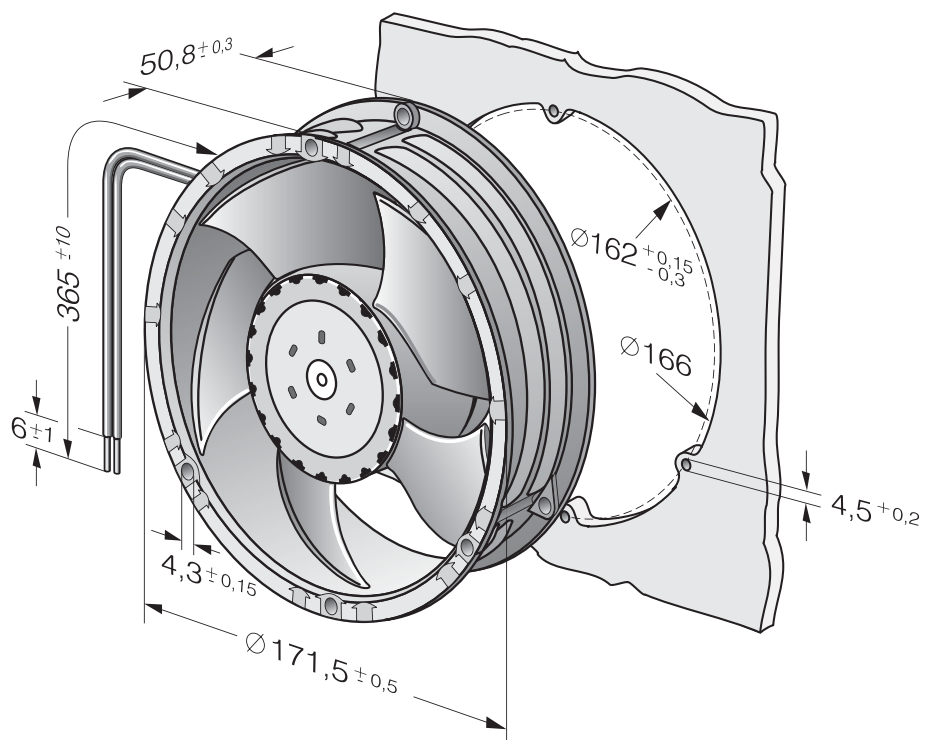
| Type                     | 6314 /2MP         |          |
|--------------------------|-------------------|----------|
| Nominal voltage          | VDC               | 24       |
| Nominal voltage range    | VDC               | 16 .. 30 |
| Speed (rpm)              | min <sup>-1</sup> | 3700     |
| Power consumption        | W                 | 14       |
| Min. ambient temperature | °C                | -20      |
| Max. ambient temperature | °C                | 75       |
| Air flow                 | m <sup>3</sup> /h | 395      |
| Sound power level        | B                 | 6.0      |
| Sound pressure level     | dB(A)             | 51       |

ml = Max. load · me = Max. efficiency · fa = Free air · cs = Customer specification · ce = Customer equipment  
 Subject to change

**Technical description**

|  |   |
|--|---|
| <b>General description</b>                     | Housing with grounding lug for M4 x 8 screw (Torx)<br>Power consumption when wide open; these values may be considerably higher at the operating point. |
| <b>Impeller material</b>                       | Glass-fiber reinforced PA plastic   |
| <b>Weight</b>                                  | 0.825 kg  |
| <b>Dimensions</b>                              | Ø 172 x 51 mm   |
| <b>Housing material</b>                        | Die-cast aluminum   |
| <b>Airflow direction</b>                       | Exhaust over struts   |
| <b>Direction of rotation</b>                   | Counterclockwise, viewed toward rotor   |
| <b>Storage</b>                                 | Ball bearing  |
| <b>Service life L10 at 40 °C</b>               | 82500 h   |
| <b>Service life L10 at maximum temperature</b> | 32500 h   |
| <b>Cable</b>                                   | With leads AWG 22, TR 64  |

## Product drawing



Curves

