

Data sheet | Item number: 773-492

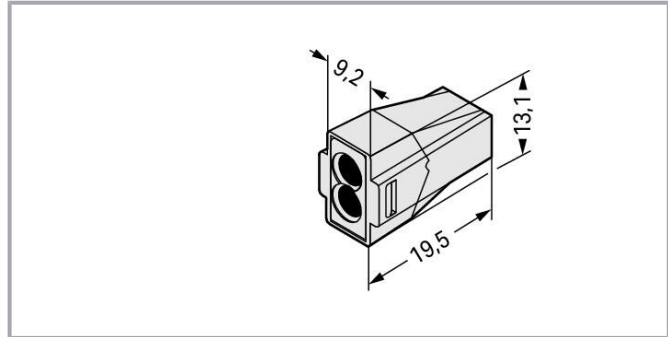


PUSH WIRE® connector for junction boxes; for solid and stranded conductors; for Ex applications; max. 2.5 mm²; 2-conductor; light gray housing; light gray cover; Surrounding air temperature: max 60°C; 2,50 mm²; light gray

www.wago.com/773-492



Color: ■



Data

Notes

Safety information 2

To be used only in conjunction with a mounting carrier (773-331).

Electrical data

Ratings per IEC/EN

Ratings per

EN 60079

Ex information

Rated voltage EN (Ex e II)

550 V

Subject to changes. Please also observe the further product documentation!

WAGO GmbH & Co. KG
Hansastr. 27
32423 Minden
Phone: +49571 887-0 | Fax: +49571 887-169
Email: info.de@wago.com | Web: www.wago.com

Do you have any questions about our products?
We are always happy to take your call at +49 (571) 887-44222.



Note (rated voltage)	275 V at a distance < 10 mm to parts of other potentials
Rated current (Ex e II)	24 A

Connection data

Connection points	2
Total number of potentials	1

Connection 1

Connection technology	PUSH WIRE®
Actuation type	Push-in
Connectable conductor materials	Copper Aluminum

Connectable conductor materials (note)	<p>Terminating Aluminum Conductors WAGO spring clamp terminal blocks are suitable for solid aluminum conductors up to 4 mm²/12 AWG if WAGO "Alu-Plus" Contact Paste 249-130 is used for termination.</p>
--	--

"Alu-Plus" Contact Paste Advantages:

- Automatically destroys the oxide film during clamping.
- Prevents fresh oxidation at the clamping point.
- Prevents electrolytic corrosion between aluminum and copper conductors (in the same terminal block).
- Provides long-term protection against corrosion.

For spring clamp connections with PUSH WIRE® connection technology, **WAGO recommends that the aluminum conductor first be cleaned** and then immediately inserted into the clamping unit filled with "Alu-Plus" contact paste.

It is also possible to apply WAGO "Alu-Plus" **additionally** on the whole surface of the aluminum conductor before termination.

Please note that the nominal currents must be adapted to the reduced conductivity of the aluminum conductors::

2.5 mm² = 16 A

4 mm² = 22 A

Solid conductor	0.75 ... 2.5 mm ² / 18 ... 14 AWG
Stranded conductor	0.75 ... 2.5 mm ² / 16 ... 12 AWG
Strip length	12 mm / 0.47 inches

Subject to changes. Please also observe the further product documentation!

WAGO GmbH & Co. KG
Hansastr. 27
32423 Minden
Phone: +49571 887-0 | Fax: +49571 887-169
Email: info.de@wago.com | Web: www.wago.com

Do you have any questions about our products?
We are always happy to take your call at +49 (571) 887-44222.



Wiring direction

Side-entry wiring

Physical data

Width	9.2 mm / 0.362 inches
Height	13.1 mm / 0.516 inches
Depth	19.5 mm / 0.768 inches

Material Data

Note (material data)

Information on material specifications can be found here

Color	light gray
Cover color	light gray
Flammability class per UL94	V2
Fire load	0.039 MJ
Weight	1.6 g

Environmental requirements

Ambient temperature (operation)	+60 °C
Continuous operating temperature	105 °C

Commercial data

Product Group	7 (Push Wire Conn.)
eCl@ss 10.0	27-14-11-04
eCl@ss 9.0	27-14-11-04
ETIM 8.0	EC000446
ETIM 7.0	EC000446
PU (SPU)	1000 (100) pcs
Packaging type	box
Country of origin	CN
GTIN	4055143026420
Customs tariff number	85369010000

Environmental Product Compliance

RoHS Compliance Status	Compliant, No Exemption
------------------------	-------------------------


Approvals / Certificates

Subject to changes. Please also observe the further product documentation!



WAGO GmbH & Co. KG
 Hansastr. 27
 32423 Minden
 Phone: +49571 887-0 | Fax: +49571 887-169
 Email: info.de@wago.com | Web: www.wago.com

Do you have any questions about our products?
 We are always happy to take your call at +49 (571) 887-44222.

General approvals


Logo	Approval	Additional Approval Text	Certificate name
	UL UL International Germany GmbH	UL 486C	E69654

Approvals for hazardous areas

Logo	Approval	Additional Approval Text	Certificate name
	ATEX UL International Demko A/S	EN 60079	DEMKO 03 ATEX 131845U Rev. 1 (II 2 G Ex e IIC Gb)
	EAC Brjansker Zertifizierungsstelle	TP TC 012/2011	RU C-DE. AM02.B. 00127/19 (Ex e IIC Gb U)

Optional accessories

Mounting adapter

Mounting accessories			
	Item no.: 773-331 Mounting carrier; for Ex applications; 773 Series - 2.5 mm ² / 6 mm ² ; for DIN-35 rail mounting/screw mounting; light gray	www.wago.com/773-331	

Downloads

Documentation

Bid Text

773-492 X81 - Datei	2019 Feb 19	xml 3.2 kB	Download
773-492 doc - Datei	2017 May 17	doc 25.6 kB	Download
ausschreiben.de 773-492		URL	Download

Subject to changes. Please also observe the further product documentation!



CAD/CAE-Data

CAD data

2D/3D Models 773-492	URL	Download
----------------------	---------------------	--------------------------

CAE data

EPLAN Data Portal 773-492	URL	Download
---------------------------	---------------------	--------------------------

WSCAD Universe 773-492	URL	Download
------------------------	---------------------	--------------------------

ZUKEN Portal 773-492	URL	Download
----------------------	---------------------	--------------------------

Environmental Product Compliance

Compliance Search

Environmental Product Compliance 773-492	URL	Download
--	---------------------	--------------------------

PUSH WIRE® connector for junction boxes; for solid and stranded conductors; for Ex applications; max. 2.5 mm²; 2-conductor; light gray housing; light gray cover; Surrounding air temperature: max 60°C; 2,50 mm²; light gray

Installation Notes

Subject to changes. Please also observe the further product documentation!