

# C3225X7S1A476M250AC

TDK Item Description : C3225X7S1A476MT\*\*\*\*

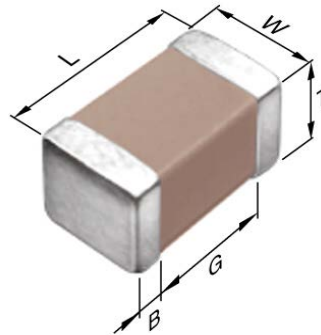


## Application & Main Feature

Commercial Grade ( General (Up to 75V) )

## Series

C3225 [EIA 1210]



## Dimensions

L	3.20mm +/-0.40mm
W	2.50mm +/-0.30mm
T	2.50mm +/-0.30mm
B	0.20mm Min.
G	---

## Temperature Characteristic

X7S (-55 to +125 degC +/-22%)

## Rated Voltage

1A (10Vdc)

## Capacitance

47µF

## Capacitance Tolerance

M (+/-20%)

## Dissipation Factor

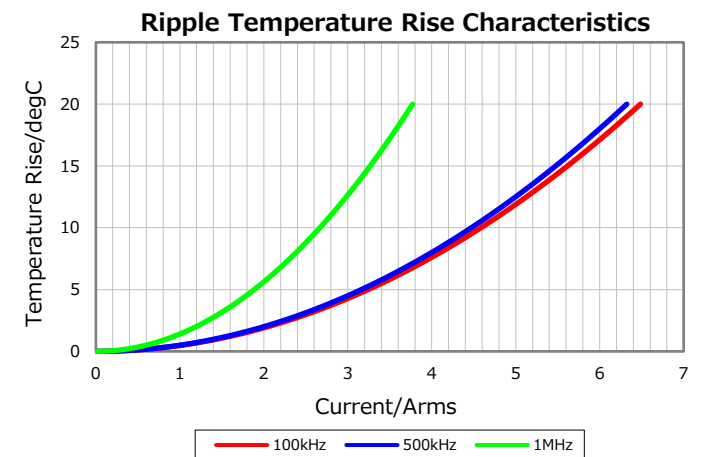
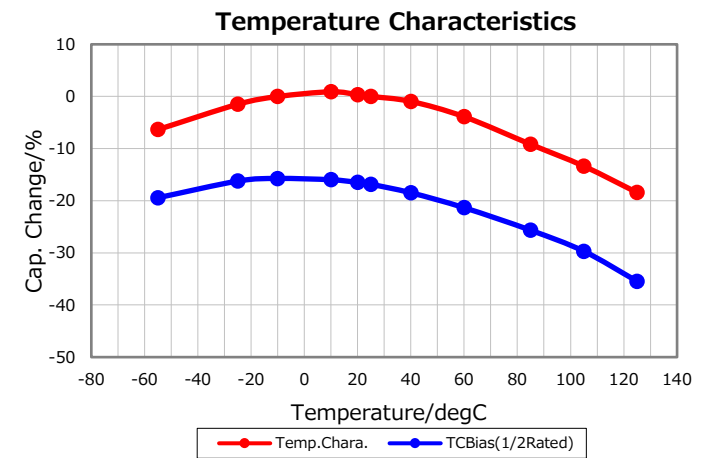
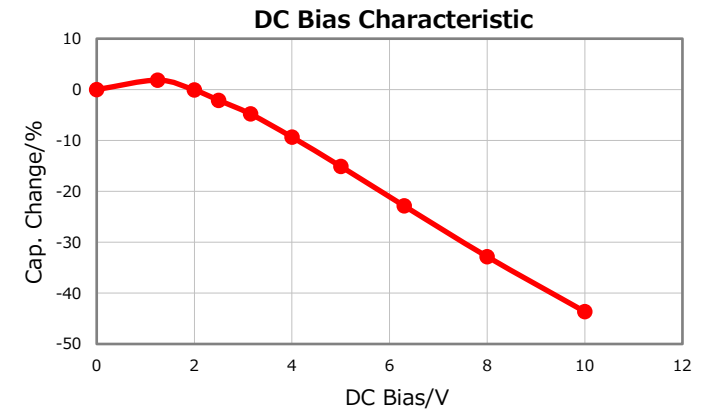
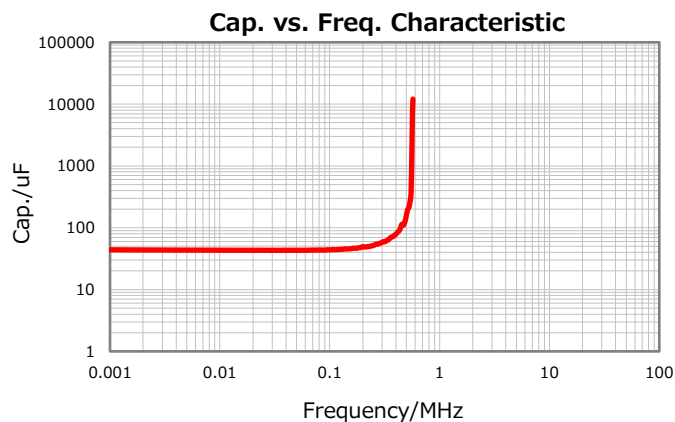
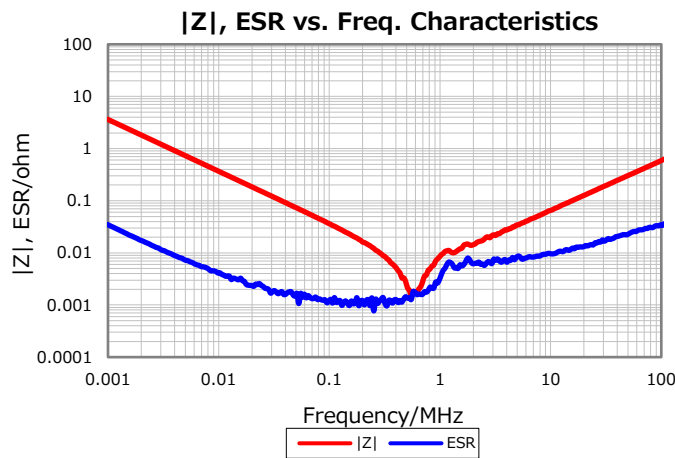
7.5% Max.

## Insulation Resistance

2Mohm Min.

## AEC-Q200

Not Applicable



Characterization Sheet ( Multilayer Ceramic Chip Capacitors )



All specifications are subject to change without notice.

July 25, 2019