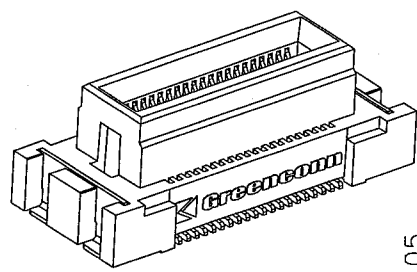
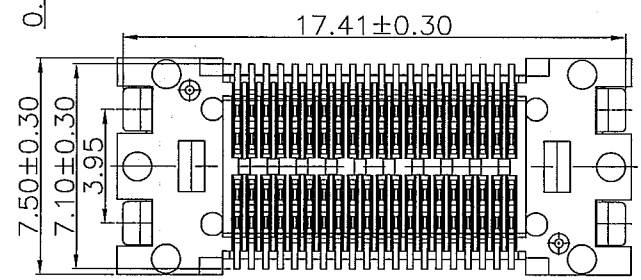
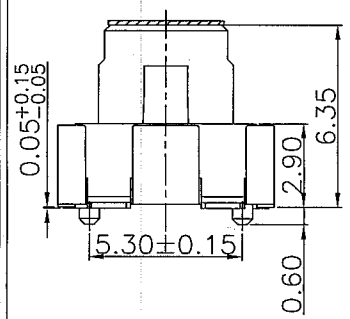
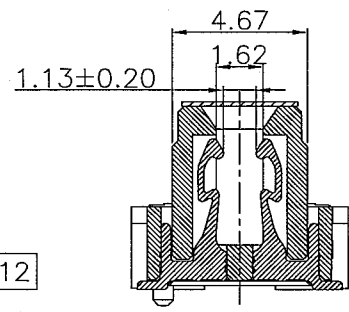
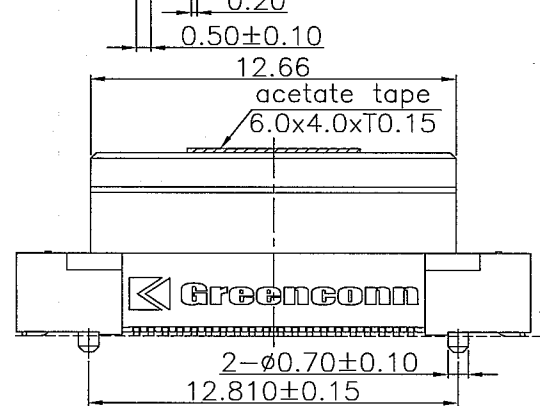
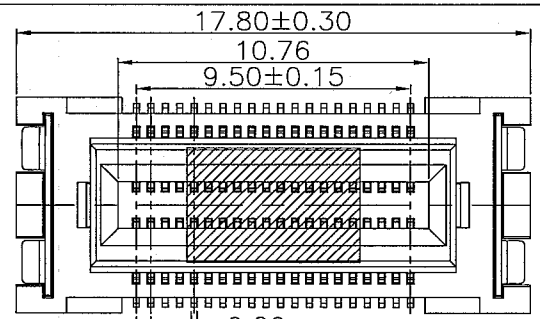
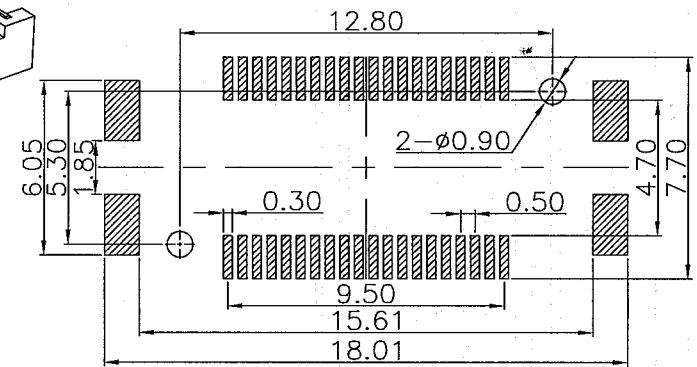


REV.	LOCAS.	DESCRIPTION	DATE	DRAWN
01	NEW	BATCH PRODUCTION INITIAL RELEASE.	2020.12.01	Cao Liang



Specifications  
 Current Rating:0.4Amp  
 Insulation Resistance:500MΩMin.  
 Dielectric Withstanding Voltage:250VAC/60S  
 Contact Resistance:100mΩMax.  
 Operating Temperature:-40°C to +105°C  
 Materials  
 Contact Material:Phosphor Bronze  
 Insulator Material:High Temperature Thermoplastic, UL 94V-0 LCP or the equivalent material  
 ☆ All materials must meet GREENCONN hazardous substances control standards.  
 "★": Critical Characteristics. indicates product characteristics, functionalities, and manufacturing processes regarding to customer's specifications  
 "☆": Safety Features indicates product characteristics, functionalities, and manufacturing processes complying to legal regulations stated by local government

Recommended P.C.Board Layout  
 (Tolerance:±0.05)



### Ordering Information

C BAC229 - XX XX B 001 C 1 N X

No. of Pins per Row 20  
 Standard Plating 79=5u"AU/80~160u"MATTE TIN  
 75=0.6u"AU/80~160u"MATTE TIN  
 Color 1=Black  
 Standard Packing H=Acetate Tape+Tape&Reel

Greenconn P/N	Customer	Remarks
CBAC229-20XXB001C1NH	N/A	Automotive connector

REV. 01	UNIT. mm	SCALE. 4:1
---------	----------	------------

3RD.ANG PROJ.		GENERAL TOLERANCE	
		X.±5.0'	X.±0.30
		.X'±3.0'	.X±0.25
		.XX'±2.0'	.XX±0.15
		.XXX'±1.0'	.XXX±0.10

DESIGNED: Cao Liang DATE: 2020.12.01  
 CHECKED: *Binghuo/yan* DATE: 2020.12.01  
 APPROVED: *Binghuo/yan* DATE: 2020.12.01

DWG. NO. CBAC229-CB1CN  
 PART NO. CBAC229-20XXB00XC1NX

TITLE. 0.5mm PITCH BTB FLOATING CONNECTOR