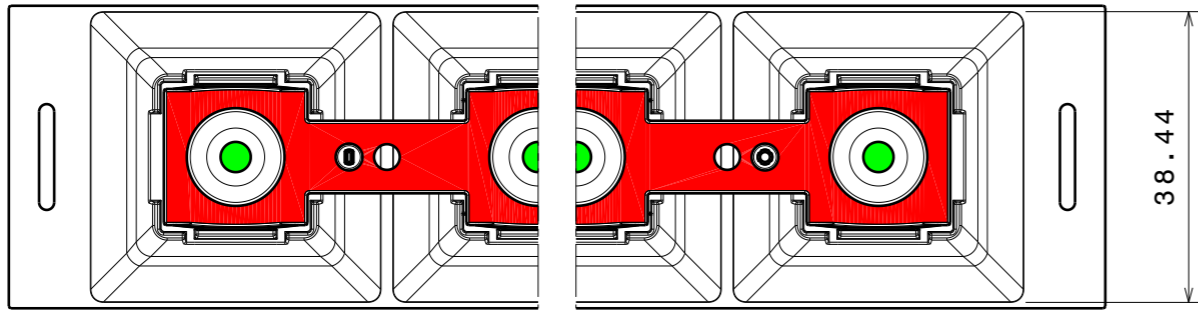
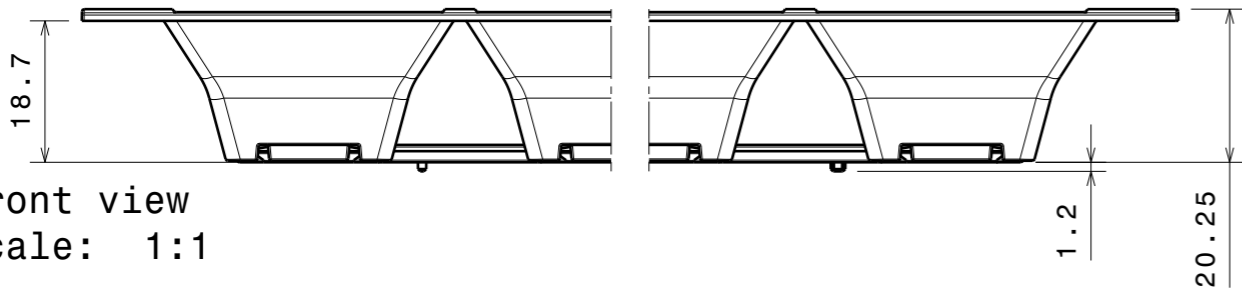


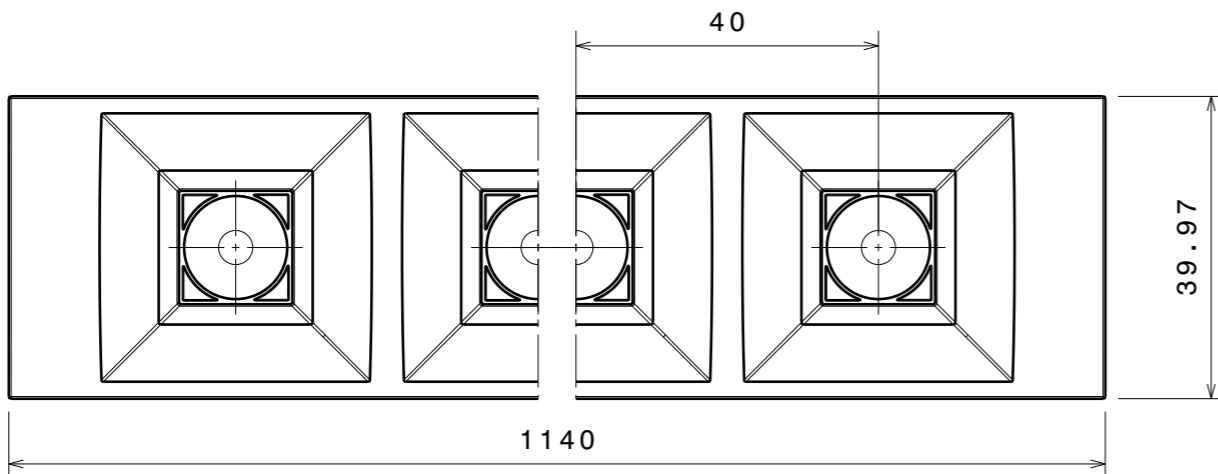
H G F E D C B A



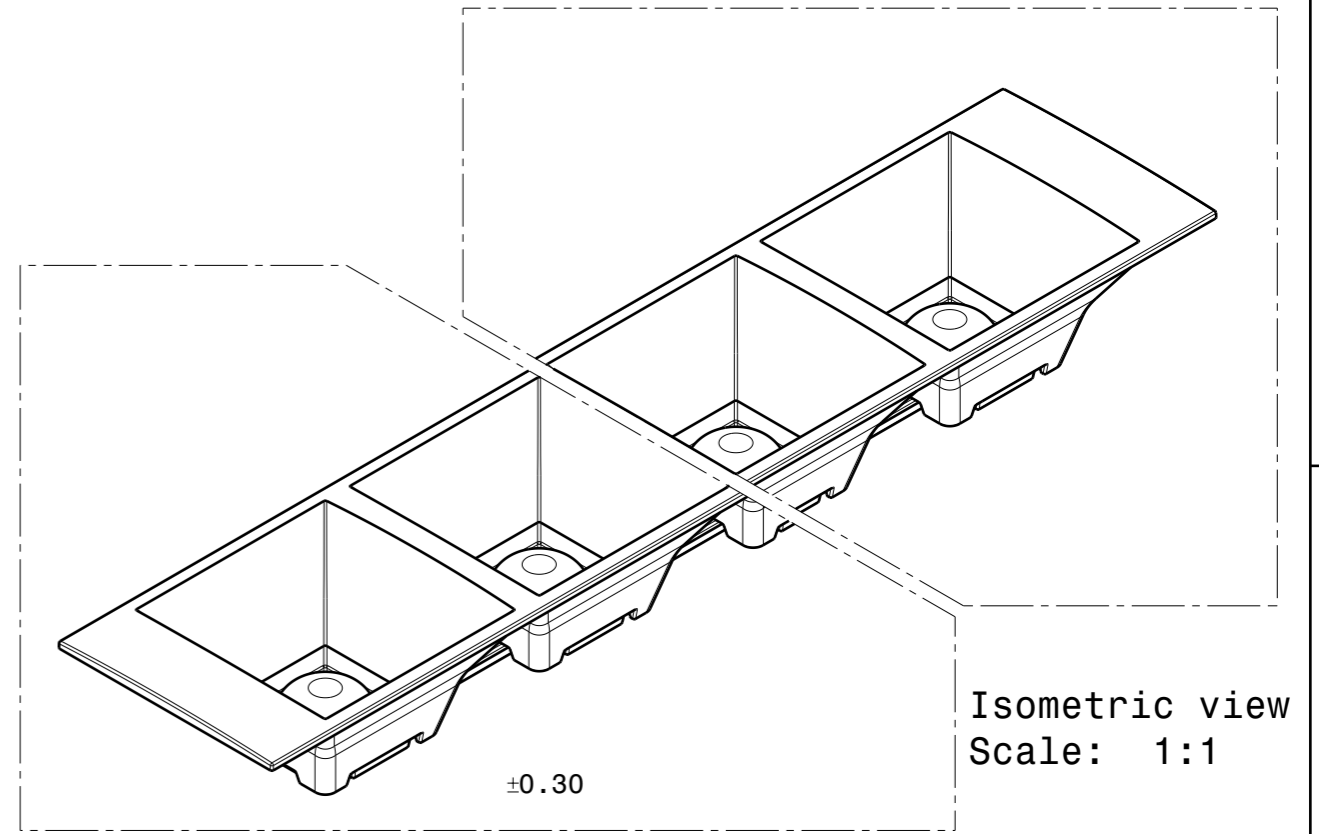
Bottom view  
Scale: 1:1



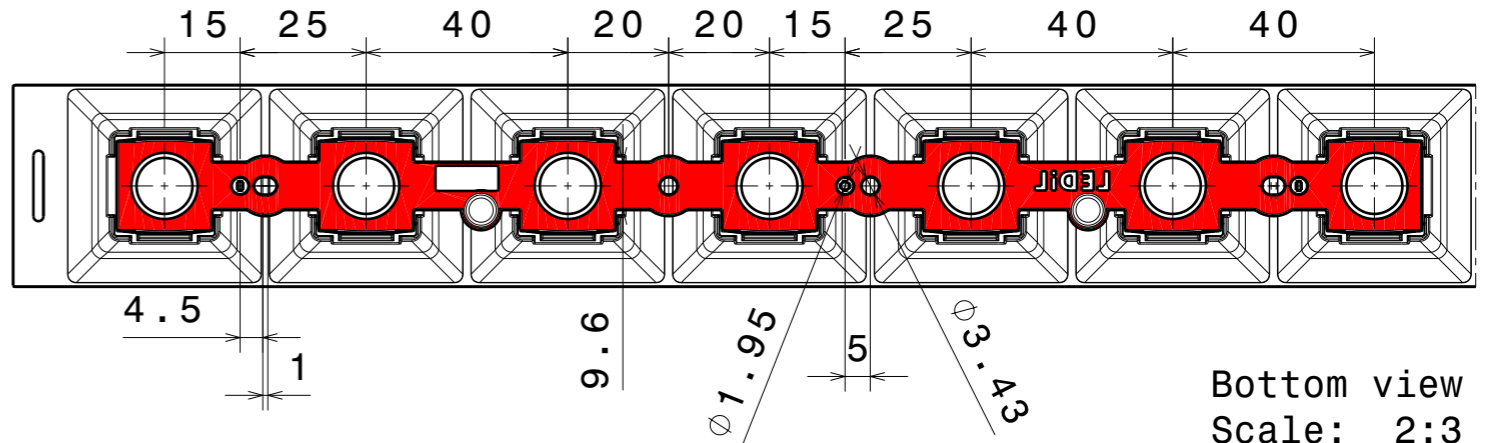
Front view  
Scale: 1:1



Top view  
Scale: 1:1



Isometric view  
Scale: 1:1



Bottom view  
Scale: 2:3

CN17381\_DAISSY-28X1-W2-B-D

INDEX	QTY.	PART NO	TYPE	MATERIAL	COLOR / COATING
1	4	C17363_DAISSY-7X1-W2-D	LENS	PMMA	MILKY
2	1	C16585_DAISSY_28X1-SHD	SHD	PC/ABS	BLACK

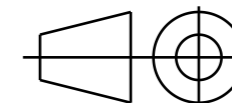
**MECHANICAL DRAWING**

PRODUCT  
**DAISSY-28X1**

**LEDiL®**

Plastic moulding general tolerances according to DIN 16901-130 and applies if not otherwise shown in the drawing. Silicone moulding general tolerances according to ISO 3302-1 Class M3 and applies if not otherwise shown in the drawing.

FIRST ANGLE PROJECTION:



This drawing is the property of LEDiL Oy. It may not be copied or otherwise distributed without prior written permission from LEDiL Oy.

SCALE 1:1

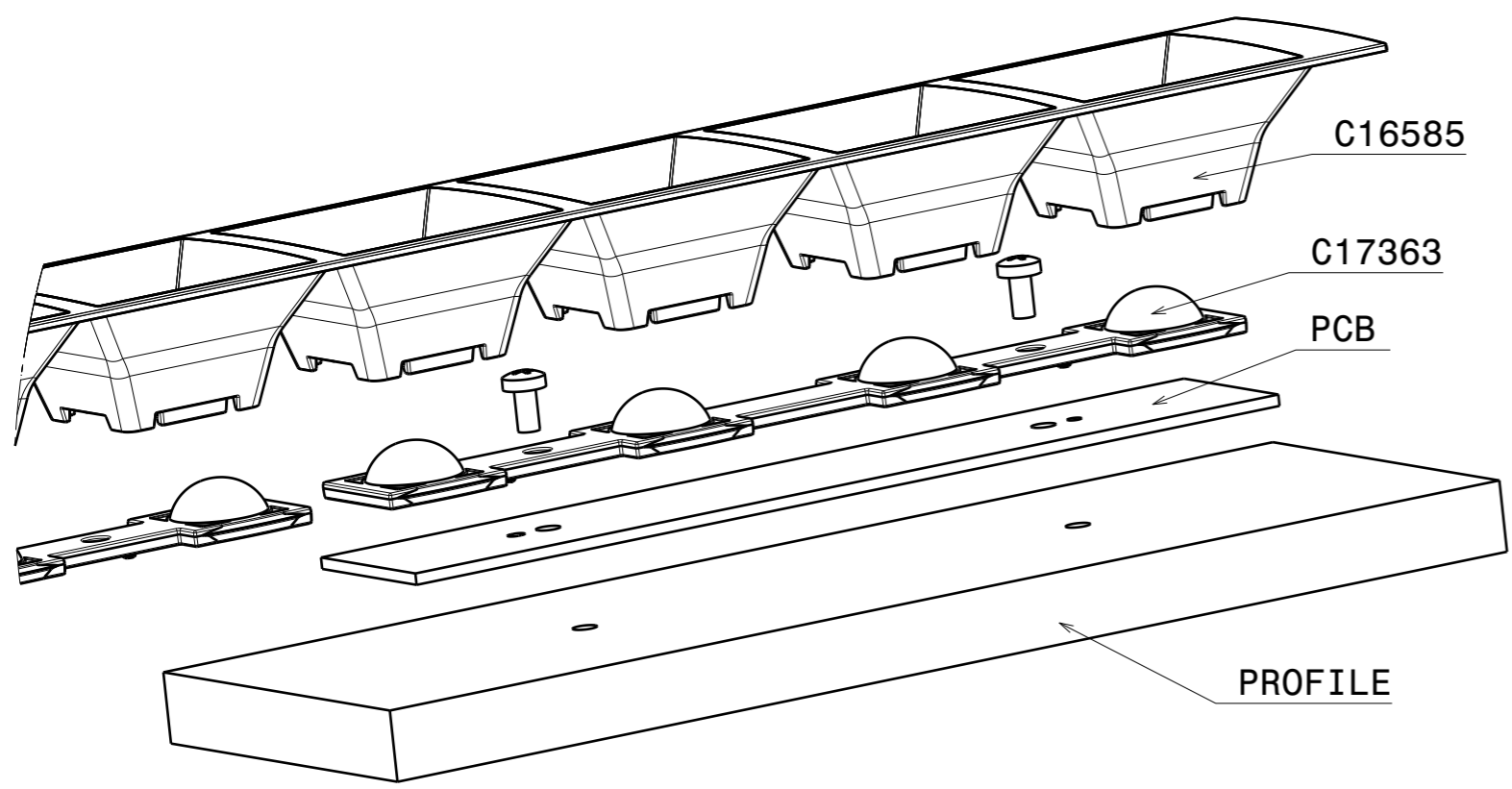
WEIGHT -

A3 SHEET 1/1

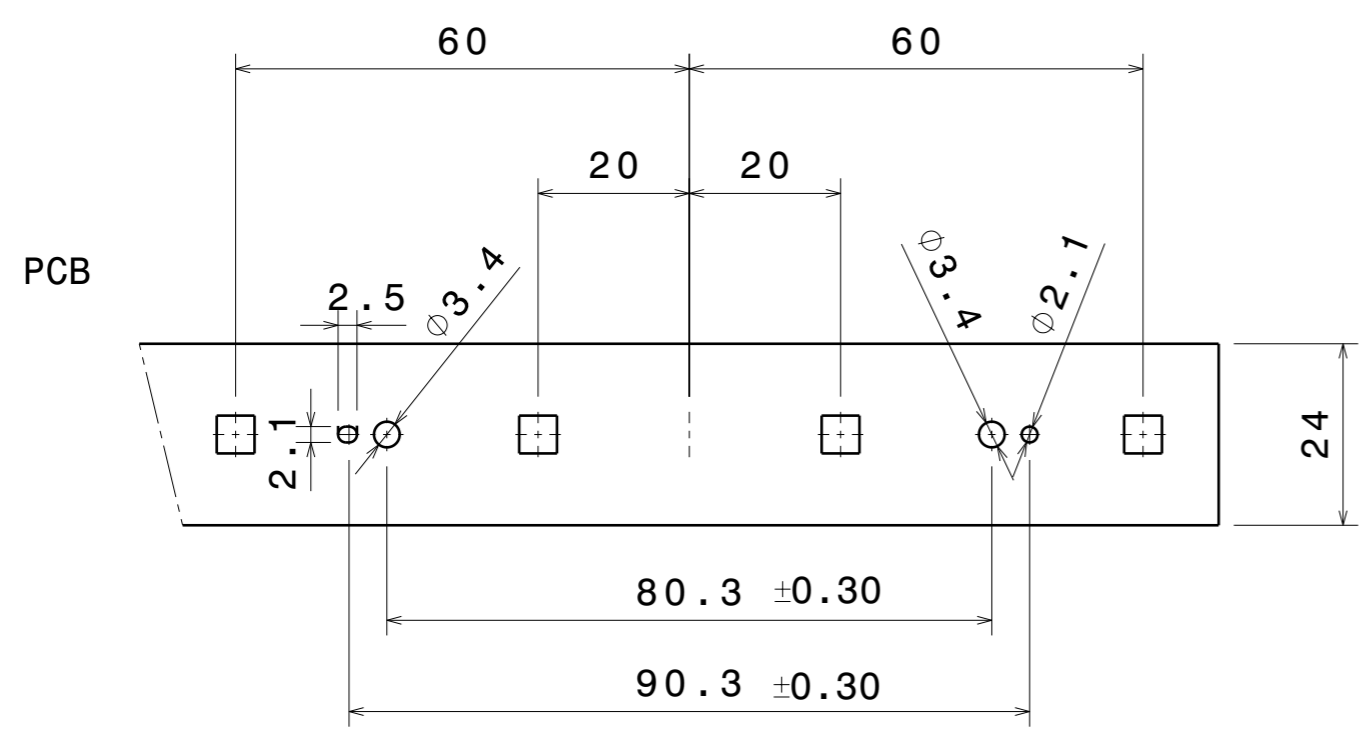
**Notes**

Ensure LED fitting from a product specific 3D model available from [www.ledil.com](http://www.ledil.com)  
For more details about installation please see LEDiL Installation Guide on [www.ledil.com](http://www.ledil.com)

@ A B A



Scale: 1:1



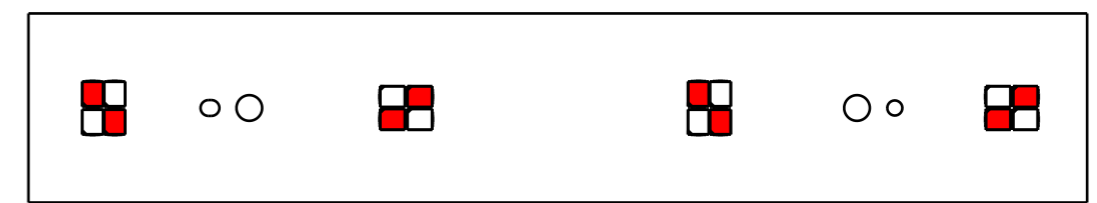
Positioning of different LED combinations  
Recommended LED spacing in clusters 0.2mm



LED 1 X 5050



LED 2 X 5630



LED 4 X 2835

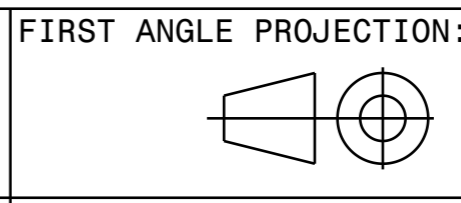
CN17381\_DAISSY-28X1-W2-B-D

INDEX	QTY.	PART NO	TYPE	MATERIAL	COLOR / COATING
1	4	C17363_DAISSY-7X1-W2-D	LENS	PMMA	MILKY
2	1	C16585_DAISSY_28X1-SHD	SHD	PC/ABS	BLACK

<b>MECHANICAL DRAWING</b>	
PRODUCT	<b>DAISSY - 28X1</b>



Plastic moulding general tolerances according to DIN 16901-130 and applies if not otherwise shown in the drawing.  
Silicone moulding general tolerances according to ISO 3302-1 Class M3 and applies if not otherwise shown in the drawing.



This drawing is the property of LEDiL Oy. It may not be copied or otherwise distributed without prior written permission from LEDiL Oy.

SCALE	1:1	WEIGHT	-	A3	SHEET 1/1
-------	-----	--------	---	----	-----------

**Notes**

Ensure LED fitting from a product specific 3D model available from [www.ledil.com](http://www.ledil.com)  
For more details about installation please see LEDiL Installation Guide on [www.ledil.com](http://www.ledil.com)