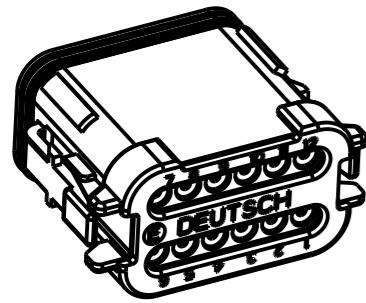
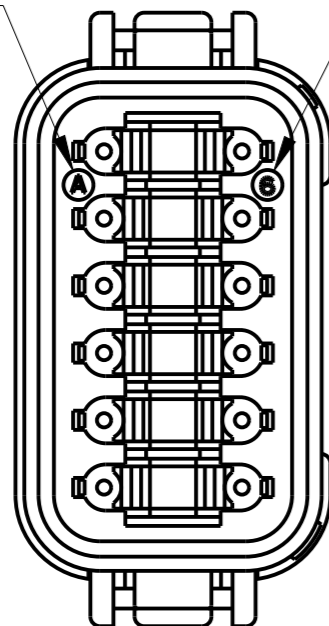


P	LTR	DESCRIPTION	DATE	DWN	APVD
	NC	NEW RELEASE PER E.O. P19569	7-17-2007	RLM	RDR
	A	REVISED PER PCN E-19-007117	09SEP2020	AP	IG
	A1	REVISED PER PCN E-21-003625	07APR2021	MK	IG



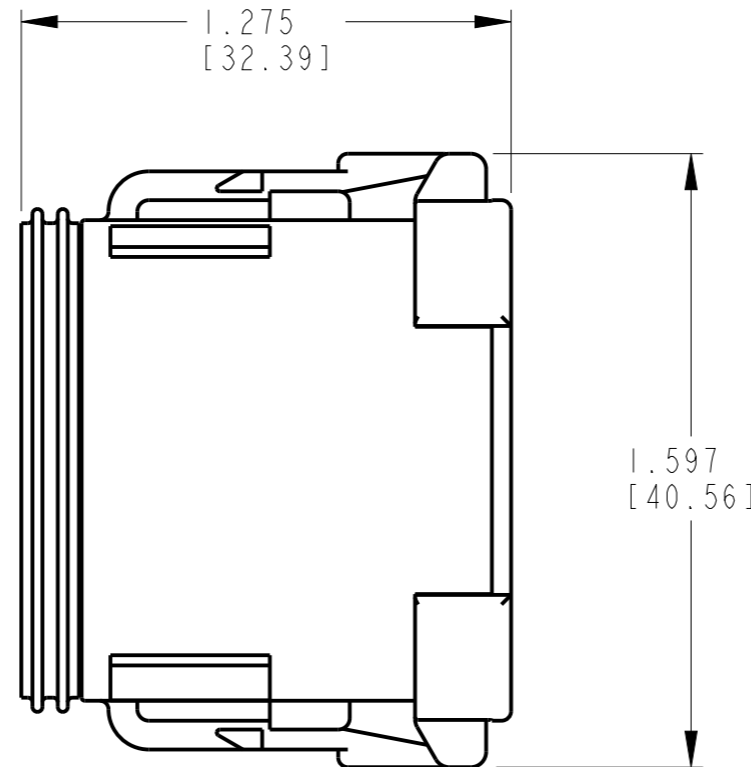
EX: A = JANUARY

EX: 6 = 2016

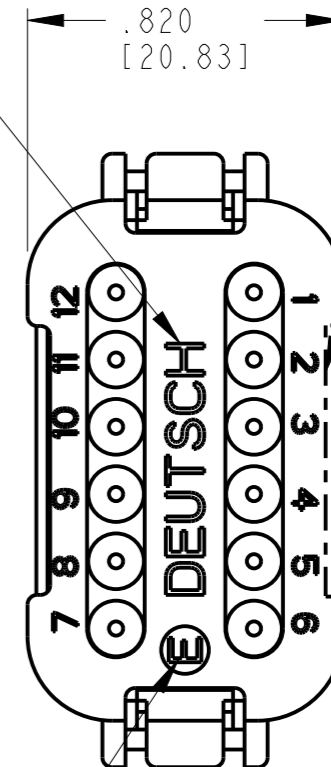


DATE CODE

MONTH IS REPRESENTED BY SEQUENTIAL ALPHA CHARACTERS.
YEAR IS REPRESENTED BY THE LAST NUMERICAL DIGIT.



TEXT ORIENTATION
OPTIONAL



ALTERNATE CAP
CUTOUT POSITION

-E- DESIGNATES REDUCED
WIRE SEAL

CONTACT SIZE	MIN. INSUL O.D.	MAX. INSUL O.D.	WIRE RANGE [mm]
16	.053 [1.35]	.120 [3.05]	14-20 AWG [2.0-0.5]

4. MATERIAL: HOUSING: PA66 GF15
GROMMET: VMQ (BURNT RED)
FRONT SEAL: VMQ (RED-ORANGE)

3. THIS PLUG MATES WITH DT04-12P*-*** (**** = ALL MODIFICATIONS, * = KEY ARR.) CONSULT FACTORY FOR MODIFICATIONS.

2. FOR CONTACTS AND WIRE PERFORMANCE AND APPLICATION CHARACTERISTICS SEE SPECIFICATION 0425-015-0000.

1. USE WITH WEDGELOCK WI2S. SOLD SEPARATELY.

NOTES:

THIS DRAWING IS A CONTROLLED DOCUMENT.		DWN R. MESSENGER 7/12/2007	TE Connectivity	
DIMENSIONS: IN [mm]		CHK B. BYFORD 7/16/2007		
TOLERANCES UNLESS OTHERWISE SPECIFIED:		APVD S. BEARD 7/16/2007	NAME 12 WAY PLUG REDUCED WIRE SEAL END CAP DT SERIES	
0 PLC ± 1 PLC ± 2 PLC ± 3 PLC ±.025 [0.63] 4 PLC ± ANGLES ±		PRODUCT SPEC 108-151009	RESTRICTED TO	
MATERIAL 4		APPLICATION SPEC 114-151009	SIZE A3	CAGE CODE 00779
FINISH		WEIGHT 16 GR	DRAWING NO G-DT06-12SX-CE01	
		CUSTOMER DRAWING	SCALE 1:1	SHEET 1 OF 2
			REV A1	

P	LTR	DESCRIPTION	DATE	DWN	APVD
-		SEE SHEET 1	-	-	-

DT06-12SA-CE01
KEY ARR. -A-
COLOR: GRAY

DT06-12SB-CE01
KEY ARR. -B-
COLOR: BLACK

DT06-12SC-CE01
KEY ARR. -C-
COLOR: GREEN

DT06-12SD-CE01
KEY ARR. -D-
COLOR: BROWN

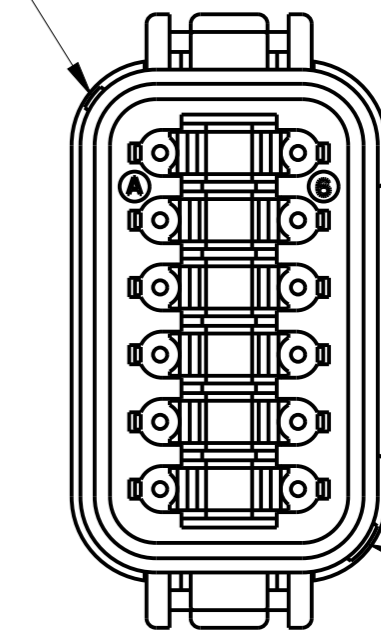
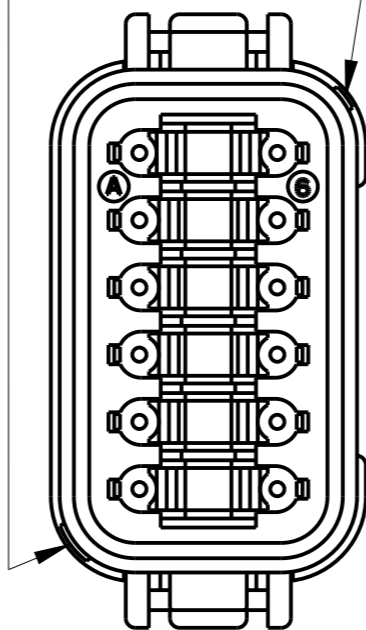
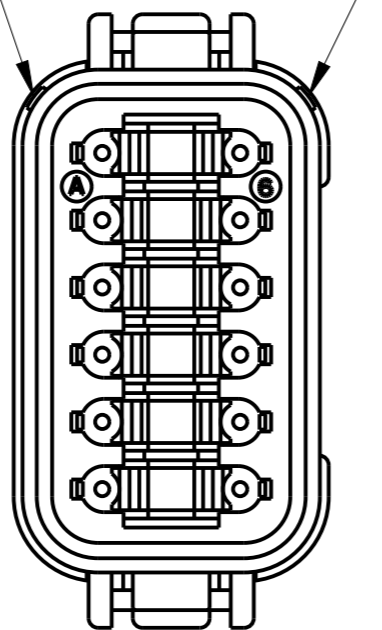
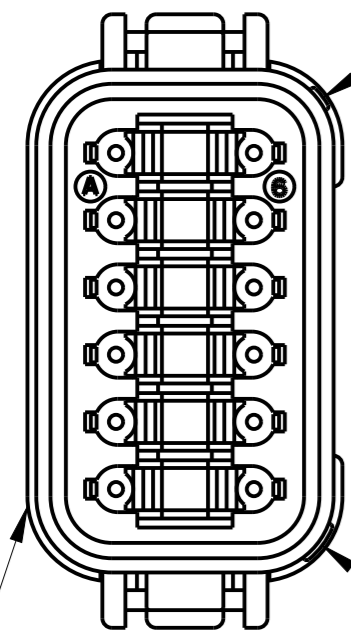
-B- KEYS

-C- KEYS

-D- KEYS

-A- KEYS

ALTERNATE CAP
CUTOUT POSITION
ALL KEYS



THIS DRAWING IS A CONTROLLED DOCUMENT.

DIMENSIONS: IN [mm]	TOLERANCES UNLESS OTHERWISE SPECIFIED:
	0 PLC ±
	1 PLC ±
	2 PLC ±
	3 PLC ±.025 [0.63]
	4 PLC ±
	ANGLES ±

MATERIAL

FINISH

DWN R. MESSENGER 7/12/2007
CHK B. BYFORD 7/16/2007
APVD S. BEARD 7/16/2007

PRODUCT SPEC 108-151009
APPLICATION SPEC 114-151009

WEIGHT 16 GR

TE TE Connectivity

NAME 12 WAY PLUG
REDUCED WIRE SEAL
END CAP DT SERIES

SIZE A3	CAGE CODE 00779	DRAWING NO. C-DT06-12SX-CE01	RESTRICTED TO -
---------	-----------------	------------------------------	-----------------

CUSTOMER DRAWING SCALE 1:1 SHEET 2 OF 2 REV A1