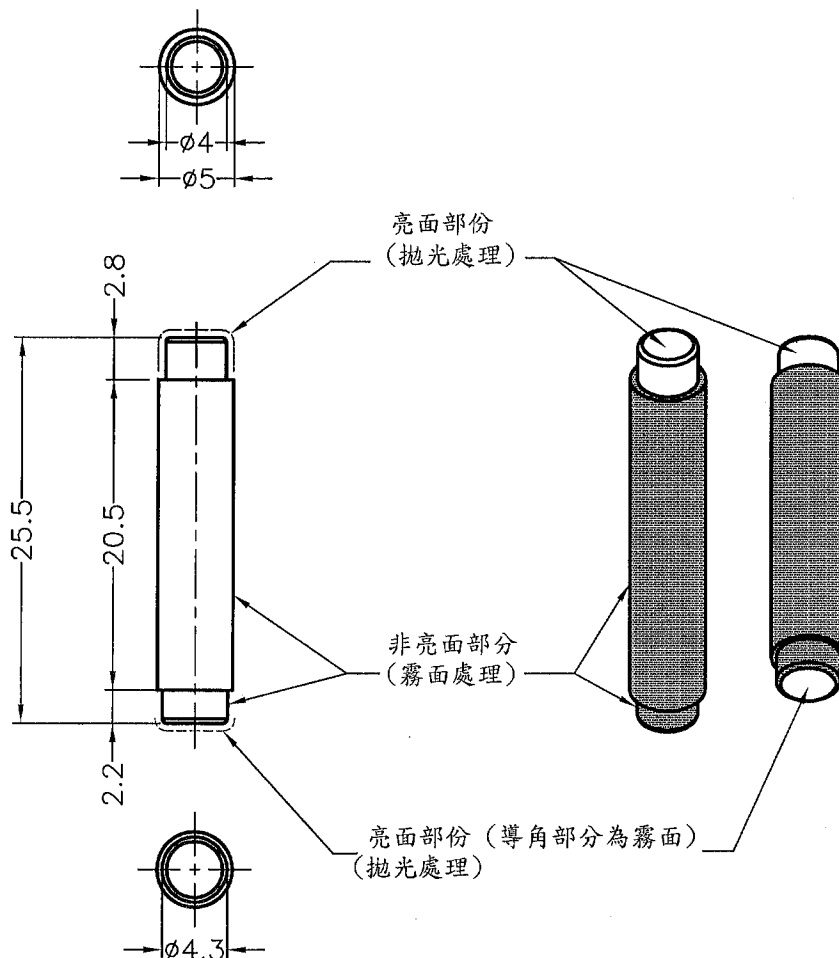


成型尺寸	公差
L≤10	±0.2
10<L≤30	±0.3
30<L≤50	±0.5
50<L≤100	±0.7
100<L≤250	±1.2
ABOVE 250	±1.5

REVISIONS			
REV	DESCRIPTION	DATE	BY



QMFZ2 Component - Plastics
 TEIJIN CHEMICALS LTD
 HIBIYA DAIBIRU BLDG 2-2 UCHISAIWAI-CHO 1-CHOME CHIYODA-KU TOKYO 100-0011 JAPAN
 Material Designation: L-1225(#)(f2)

Tuesday, June 08, 2004

E50075

Product Description: Polycarbonate (PC), designated "Panlite" furnished as pellets, powder.

Color	Min. Thick. (mm)	Flame Class	HWI	HAI	RTI Elec	RTI Imp	RTI Str	IEC GWIT	IEC GWFI
ALL	0.4	V-2	4	3	80	80	80	-	-
	0.75	V-2	3	1	80	80	80	-	-
	1.5	V-2	3	1	125	115	125	-	-
	1.9	HB	3	1	125	115	125	-	-
	3	HB	2	1	125	115	125	-	-
	6	HB	1	1	125	115	125	-	-

CTI: 2 HVTR: 4

D495: 5

IEC Ball Pressure (C): -

Dielectric Strength (kV/mm): 30

Volume Resistivity (10¹⁰ohm-cm): 16

Dimensional Stability(%): 0

ISO Tensile Strength (MPa): -

ISO Flexural Strength (MPa): -

ISO Heat Deflection (C): -

ISO Tensile Impact (kJ/m²): -

ISO Izod Impact (kJ/m²): -

ISO Charpy Impact (kJ/m²): -

(#)

Material designation may be suffixed with any one or two letters.

(f2)

Subjected to one or more of the following tests: Ultraviolet Light, Water Exposure or Immersion in accordance with UL 746C, where the acceptability for outdoor use is to be determined by UL Inc.

Report Date: 2/10/1989

Underwriters Laboratories Inc®

<p>康揚企業股份有限公司 KANG YANG HARDWARE ENTERPRISE CO., LTD. 康揚塑膠(東莞)有限公司 KANG YANG PLASTIC(DONG GUAN) CO., LTD. 康哲電腦配件(吳江)有限公司 KANG CHE COMPUTER COMPONENTS(WUJIANG) CO., LTD.</p>		TITLE	導光柱	產品規格圖面			
		MATERIAL	PC UL94V-2	DATE	2011.04.22		
		FINISH		DRAWN	K.W		
		COLOR	CLEAR	CHECK			
PART NUMBER	LEM-107	DRAWING NUMBER	LEM-107	UNLESS OTHERWISE SPECIFIED TOLERANCE	SEE ABOVE	APPROVED	
SIZE	A4	SCALE	2:1	UNIT	mm	REV	A