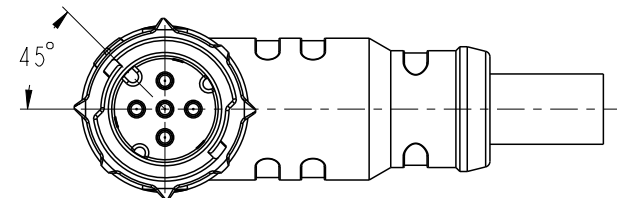
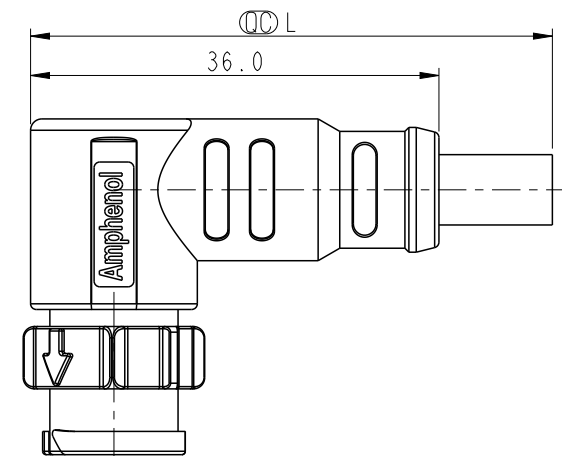
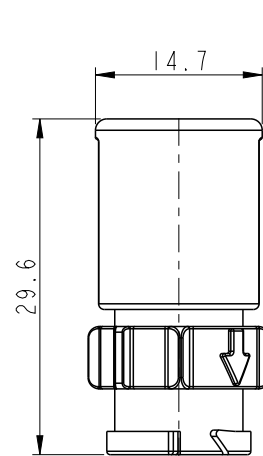
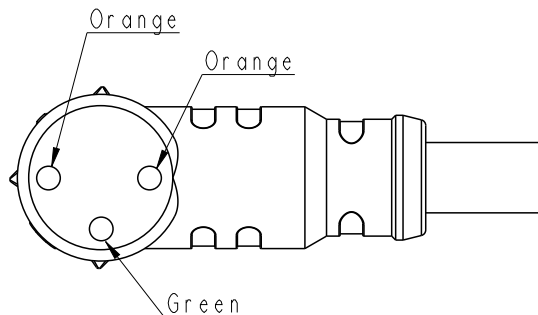
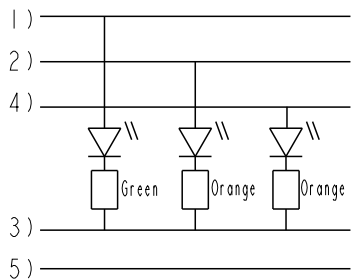


THIS DOCUMENT IS SUBJECT TO CHANGE WITHOUT NOTICE. IT IS CONFIDENTIAL AND A PROPERTY OF Amphenol LTW. DISCLOSURE TO THIRD PARTY HAS TO BE AUTHORIZED BY Amphenol LTW.

5 Pin	PVC	6.2	20	LAD-05BMMM-QR8DXX
4 Pin		6.0		LAD-04BMMM-QR8DXX
3 Pin		5.5		LAD-03BMMM-QR8DXX
Contacts	Cable Jacket	Cable OD	AWG	Item No.

REV.	ECN NO.	DATE	SIGN	DESCRIPTION
A		2021-05-26	Sam Ho	Rev.01 to A, Initial Released



Note:

- * ∅L Important Dimension
- * Waterproof Rate: IPX8, Mated 1m/24h
- * Connector
 - Housing: Thermoplastic, Black
 - Pin: Copper Alloy, Gold Plated
 - Outer Mold: Thermoplastic, Transparent Black.
- * Cable: UL21388, PVC Jacket, Black
- * Cable Length Tolerance:

- IM: +50/-0 mm
- 1M < L ≤ 3M: +100/-0 mm
- 3M < L ≤ 5M: +150/-0 mm
- 5M < L ≤ 10M: ±100 mm
- 10M < L ≤ 20M: ±200 mm
- 20M < L ≤ 30M: ±300 mm
- 30M < L ≤ 99M: ±500 mm

LAD- XX BMMM-QR8D XX

No. Of Pin

XX:L=0~99Meters
 01:L=1Meters
 02:L=2Meters
 :
 99:L=99Meters

5	-	-	5	-	-	5	Yellow	黃
4	Brown	棕	4	Orange	橘	4	Orange	橘
3	Red	紅	3	Red	紅	3	Red	紅
2	-	-	2	Brown	棕	2	Brown	棕
1	Black	黑	1	Black	黑	1	Black	黑
Pin #	Wire		Pin #	Wire		Pin #	Wire	

Pin Out		
3 Pin	4 Pin	5 Pin
Pin Assignments Front View		

UNIT:mm		TITLE		ITEM NO.		DRAWN BY		DATE
		XLOK, LED-A-5A, 05P, CABLE W/O SR M, M, MOLDING, PUSH LOCK				Sam Ho		2021-05-11
TOLERANCE		SCALE	SIZE	SHEET	DWG NO.	CHECKED BY		DATE
±0.50mm		3:2	A4	1 OF 1	LAD-XXBMMM-QR8DXX	Fred Lee		2021-05-11
REV.	WC-REV.	∅C: Inspection item		CUSTOMER	APPROVED BY		DATE	
A				ALTW	Fred Lee		2021-05-11	

Amphenol LTW

安費諾亮泰企業股份有限公司