

**J1 - Mains Input**

Housing

- Molex - Part # - 0010013036
- 5.08mm (0.200"), 3Way Housing with Friction Lock
- or any direct equivalent

Terminal

- Molex - Part # - 0008701031
- Crimp terminal, 18-24 AWG
- or any direct equivalent

**J2 - Global Signal**

Housing

- Molex - Part # - 0511101251
- 2.00mm (0.079"), 12Way Housing with Friction Lock
- or any direct equivalent

Housing IDT

- Molex - Part # - 0875681273
- 2.00mm (0.079"), 12Way IDT Housing with Lock
- or any direct equivalent

Terminal

- Molex - Part # - 0503948051
- Crimp terminal, 24-30 AWG
- or any direct equivalent

**J3/J4 - Output Power Terminal**

Terminal

- Various - Tab size - 0.80mm x 6.35mm
- Crimp terminal must have current rating higher than short circuit current of output module e.g.

Isc OP 1 = 25Amp \* 1.25 = 31.25Amp

Always use appropriate wire size, see Instruction Manual

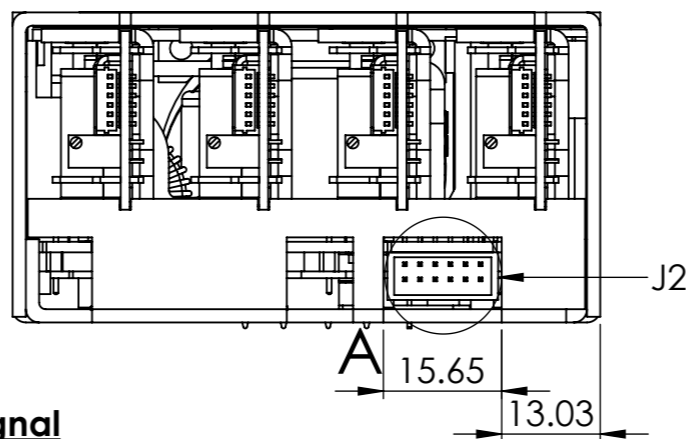
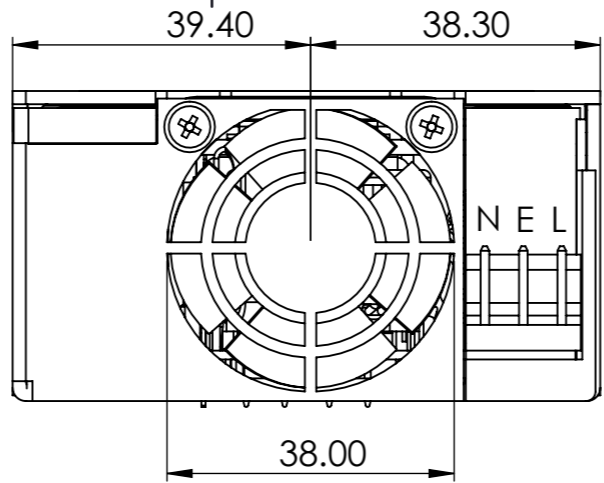
**J5 - Output Signal**

Housing

- Molex - Part # - 01510210600
- 1.25mm (0.049"), 6Way Housing
- or any direct equivalent

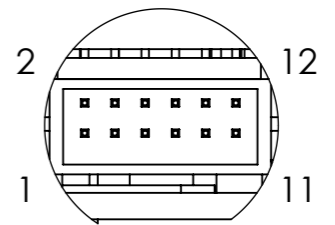
Terminal

- Molex - Part # - 050058800
- Crimp terminal, 28-32 AWG
- or any direct equivalent



IF IN DOUBT ALWAYS ASK

NEXT HIGHER ASSY



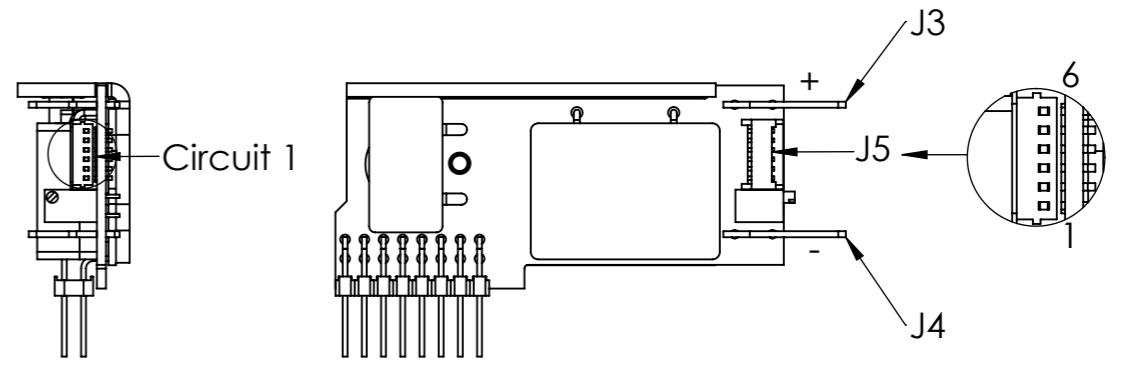
DETAIL A  
SCALE 2 : 1

**J2 - Global Signal**

Pin	Signal
1	Module Power Good Slot A
2	Module Inhibit Slot A
3	Module Power Good Slot B
4	Module Inhibit Slot B
5	Module Power Good Slot C
6	Module Inhibit Slot C
7	Module Power Good Slot D
8	Module Inhibit Slot D
9	Global Inhibit
10	AC OK
11	Global Bias Supply +5V
12	GND

**J5 - Output Signal**

Pin	Signal
1	- Sense
2	+ Sense
3	Voltage Control
4	Current Out / Current Control / Current Share
5	GND
6	Module Bias Supply +5V



REV.	RB	SIGNED	DATE	NA	ECD#
01			19-11-2020		

UNLESS OTHERWISE SPECIFIED  
DIMENSIONS ARE IN MILLIMETERS

TOLERANCES:  
As Per DIN 2768-1/-2CLASS M

FINISH:  
NA

PART NUMBER:  
NA

MATERIAL:  
NA

TITLE: NEVO600 2D Public Facing Drawing

DWG NO. DOC-DWG-004

