

Buccaneer 6000 Series Waterproof Connector

For Power - Metal Body

Wiring and Assembly instructions



IMPORTANT - PLEASE READ

It is important that these instructions are fully complied with to ensure this product is completely watertight and electrically safe - IF IN DOUBT CONSULT A QUALIFIED ELECTRICIAN. NEVER UNMATE OR MATE THE PRODUCT WHILE STILL UNDER LOAD.

Always wire socket insert to supply, wire plug insert to appliance.

However plug/socket inserts can be fitted into any style of main body to give correct plug/socket combination for your application.

Do not twist bodies when unmating connector, ensure a linear pull is applied.

Cable Glands

To ensure the correct cable sealing pairs of cable glands and collets are available to accurately fit cable diameters from 4.0mm up to 10.0mm. It is important to match the correct gland to the cable used, these are:

Cable diameter	Gland Colour
4.0-5.0mm	Dark Grey
5.0-7.0mm	White
7.0-9.0mm	Yellow
9.0-10.0mm	Light Grey

Ratings

Poles:	2	3	8	16	22
Current Rating:	16A	12A	10A	3A	3A
Voltage Rating:	277V	277V	277V	60V	60V
Conductor accommodation:	14-18AWG	14-18AWG	18-20AWG	22-26AWG	22-26AWG
metric equivalents:	2.0-0.75mm ²	2.0-0.75mm ²	0.75-0.5mm ²	0.33-0.14mm ²	0.33-0.14mm ²

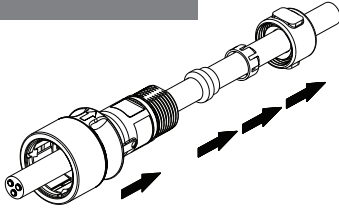


www.elektron-bulgin.com

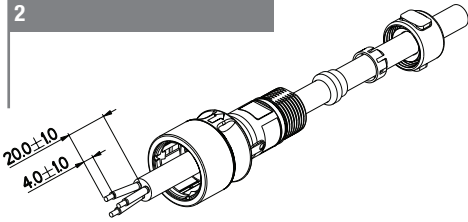
For full technical specification visit: www.elektron-bulgin.com

6000 Series - PXM0610 & PXM0611

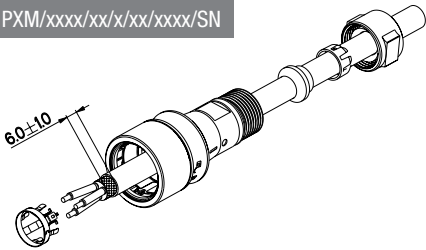
1



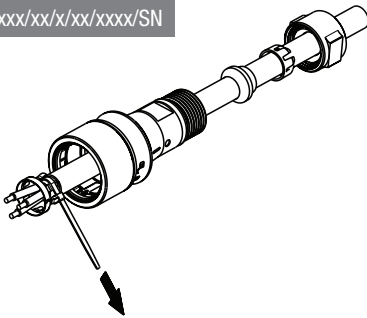
2



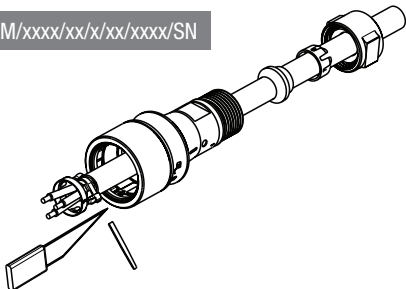
2a PXM/xxxx/xx/x/xx/xxxx/SN



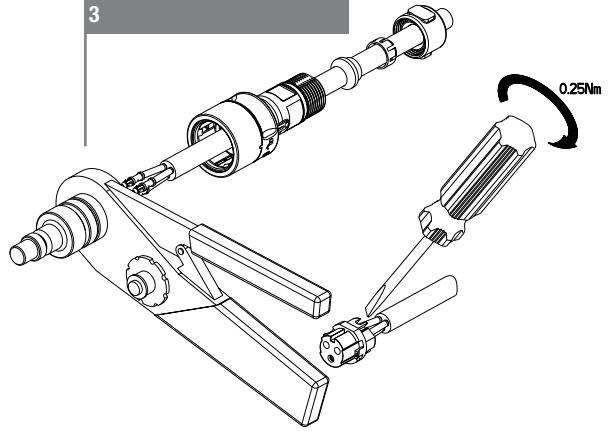
2b PXM/xxxx/xx/x/xx/xxxx/SN



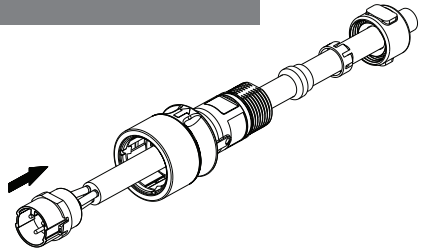
2c PXM/xxxx/xx/x/xx/xxxx/SN



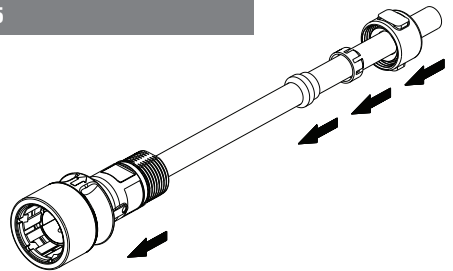
3



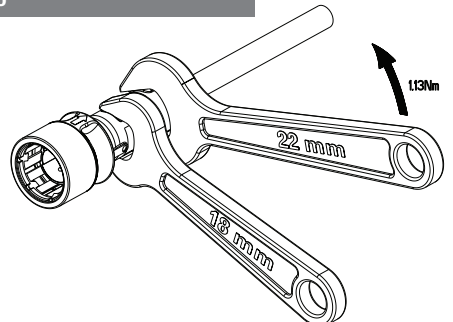
4



5

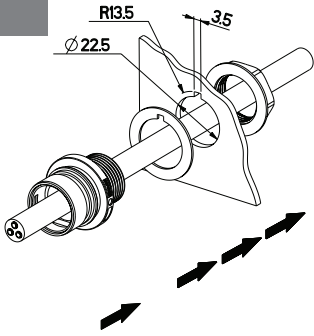


6

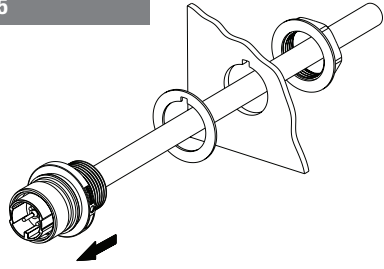


6000 Series - PXM0612

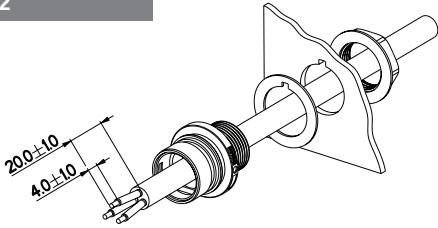
1



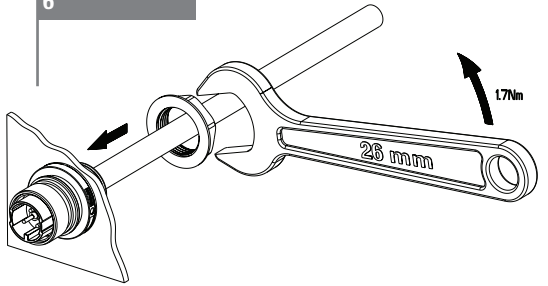
5



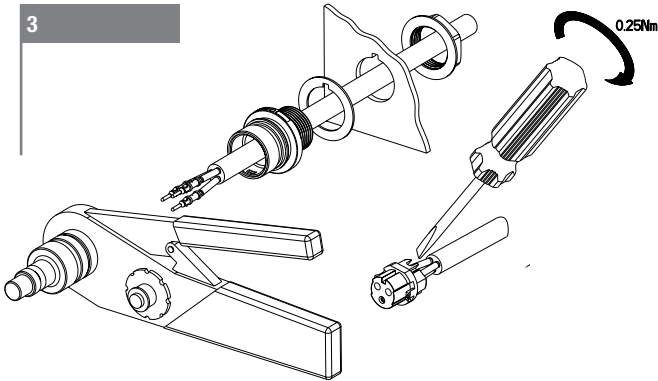
2



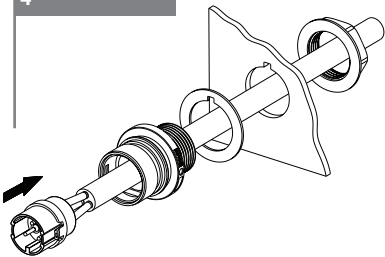
6



3



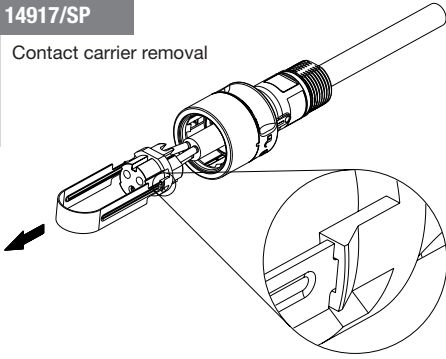
4



6000 Series

14917/SP

Contact carrier removal



14944-45-46

Contact pin/socket extraction

