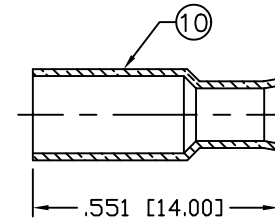
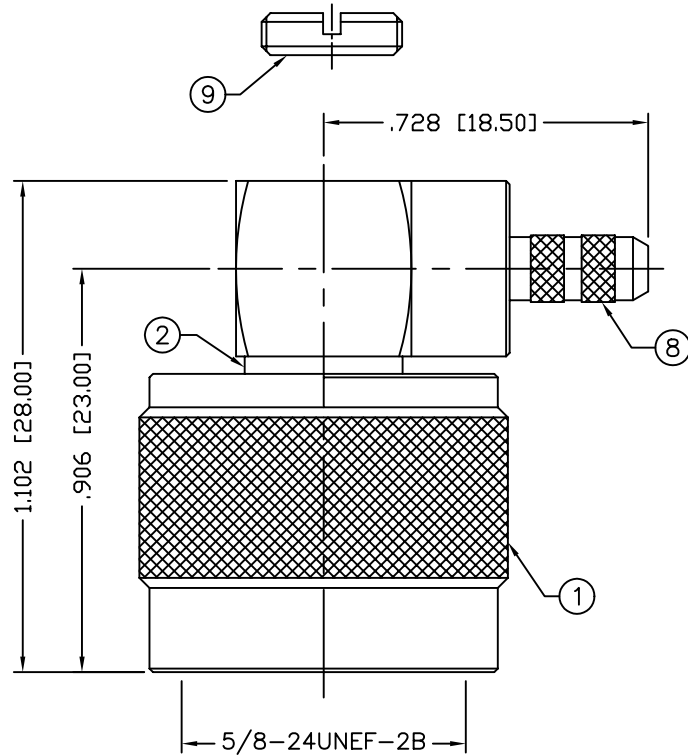


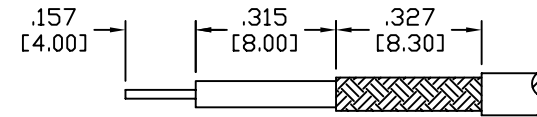
THIS DRAWING CONTAINS INFORMATION PROPRIETARY TO RF INDUSTRIES.
 ANY UNAUTHORIZED USE OF THIS DRAWING IS EXPRESSLY PROHIBITED
 WITHOUT WRITTEN PERMISSION FROM RF INDUSTRIES.
 ANY VIOLATION IS PUNISHABLE UNDER U.S. COPYRIGHT LAWS.

ALL DIMENSIONS ARE REFERENCE ONLY

PART NO.		RFN-1009-B-03		
REV	DESCRIPTION	DWN	DATE	APPROVED
-	ENGINEERING RELEASE	CZS	9/28/99	JDMc



RECOMMENDED CRIMP DIE: .178"



RECOMMENDED STRIPPING DIM'S

SPECIFICATIONS:

IMPEDANCE: 50 Ohms
 FREQUENCY RANGE: 0-11 GHz
 INSERTION LOSS: .06 dB Max. X \sqrt{f} GHz
 WORKING VOLTAGE: 1k V rms @ sea level
 TEMPERATURE RANGE: -65°C TO 165°C
 INSULATION RESISTANCE: 5k M Ohms min.
 FOR RG-174, 188, 188A, 316/U, ALPHA 9174, 9316,
 BELDEN 8216, 83269, 83284, 84316 & TIMES LMR-100A CABLE

1	SHELL	1	BRASS	NICKEL, 100μ"	008974	
2	BODY	1	PTFE	NICKEL, 100μ"		
3	INSULATOR	1	PTFE	----		
4	GROUND RING	1	BRASS	NICKEL, 100μ"		
5	GASKET	1	SILICONE	----		
6	RETAINER RING	1	SST	----		
7	PIN	1	BRASS	GOLD, 3μ"		
8	FERRULE STUD	1	BRASS	NICKEL, 100μ"		
9	NUT	1	BRASS	NICKEL, 100μ"		
10	FERRULE	1	BRASS	NICKEL, 100μ"		
11					DRAWN C. ZUNIGA	
12					CHECKED	
13					ORJ DRAWN C. ZUNIGA	
14						
#	DESCRIPTION	QTY	MATERIAL	FINISH	APPROVALS	DATE

UNLESS OTHERWISE SPECIFIED:

DIMENSIONS ARE IN INCHES AND [MILLIMETERS]
 UNLESS OTHERWISE NOTED TOLERANCES ARE:

DECIMALS	DIAMETER
----------	----------

7610 MIRAMAR RD
 SAN DIEGO, CA 92126
 (858) 549-6340
 (858) 549-6345 FAX

RF connectors
 DIVISION OF RF INDUSTRIES, LTD.

N PLUG, CRIMP

RIGHT ANGLE

SIZE A	CABLE GROUP B	DWG NO. RFN-1009-B-03	REV -
------------------	-------------------------	---------------------------------	-----------------

SCALE: NTS CAD FILE OUTLINE SHEET 1 OF 1