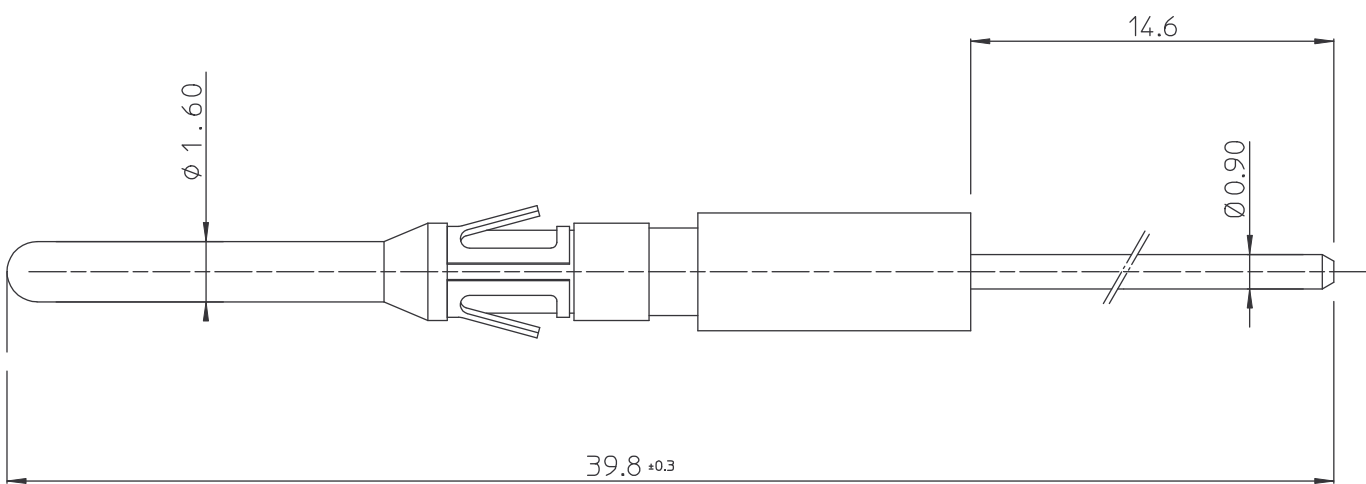


DIT IS ONZE EIGENDOM EN MAG NOCH NAGEMAAKT, HERDRUKT, OVERGEMAAKT, AAN DERDEN, NOCH VOOR FABRIKATIE GEBRUIKT WORDEN, ZONDER ONZE SCHRIFTELIJKE TOELATING. BIJ NIET GEBRUIK IS DE TERUGZENDING VERPLICHT.

THIS IS OUR EXCLUSIVE PROPERTY. IT IS NOT TO BE COPIED, REPRINTED OR DISCLOSED TO A THIRD PARTY, NOR USED FOR MANUFACTURING WITHOUT OUR WRITTEN CONSENT, AND HAS TO BE RETURNED TO US IN CASE OF NO USAGE

REV.	DATE	DESCRIPTION	BY	C'K'D'
00	31-01-05	FIRST ISUUE	R Ch	



PERFORMANCE CHARACTERISTICS

- CURRENT RATING : 7.5 A MAX.
- CONTACT RESISTANCE : ≤ 3 m Ohm
- CONTACT RETENTION IN INSERT : 110 N MIN.

CONTACTS SUITABLE FOR :

- MS-M
 - UT-BANTAM
 - METALOK BANTAM
 - SMS QIKMATE
- EXTRACTION TOOL : RX20-25GE1

MATERIAL

- CONTACT BODY :
MATERIAL : BRASS
- *PLATING : K : 0.4 μ MIN. GOLD ALL-OVER, OVER 2 μ NICKEL MIN. ALL-OVER
 : J : GOLD FLASH ALL-OVER, OVER 2 μ NICKEL MIN. ALL-OVER
 : T : 5 μ TIN ALL-OVER, OVER 2 μ NICKEL MIN. ALL-OVER
- RETAINING SPRING :
MATERIAL : BERYLLIUM COPPER

RELEASED FOR PRODUCTION

GEN. ST.	01	02	03	04	05	06	07	08	0D	50	60	70	80	90																	
INT. ST.	10	11	12	13	14	18	20	31	32	33	34	38	39	40	42	43	44	45	46	48	56	70	72	73	75	76	81	82	83	84	88

1DEC ±0,2 1DEC 2DEC ±0,1 2DEC ANGLES ±1° HOEKEN	APPR.	DATE	SIGN.	MS HYFEN MALE DIPSOLDER CONTACT .0625
	DRAFT	31-01-05	ROUILLARD Ch	CAT. No. RM20M12E83*
	CHECKED			
WE RESERVE THE RIGHT TO CHANGE DIMENSIONS OR REQUIREMENTS WITHOUT PRIOR NOTICE.	PROD. MGR.			SOURIAU Route Nationale 23 72470 CHAMPAGNE
	PR.ENG.MGR.			
ALL DIMENSIONS IN MM	PR.MGT.MGR.			



REFERENCES / REFERENTIES

SOURIAU
Connection Technology

Route Nationale 23
72470 CHAMPAGNE

NOT EXPORT CONTROLLED

BS, A , 200014, 006, 00

DRAWING NR. CUSTOMER DRAWING

BS, A , 200014, 006, 00