



Phone: (800) 694-8089
 www.lodestonepacific.com
 E-mail: sales@lodestonepacific.com

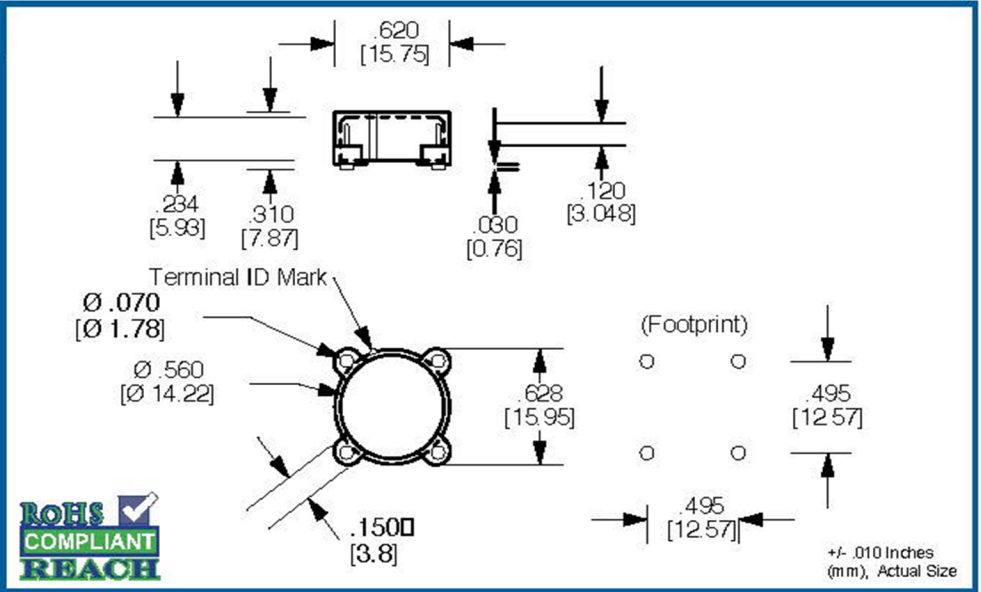
STM560-4

Material: DAP4 (Black)
UL Rating: UL94-V0, Class F
4 Terminals: Brass - Nickel Flash
 100% Tin Plate
Solderability: MIL-STD-202
 Method 208

Package Method: Bulk in Poly Bags
 See RoHS compliant PVC packaging trays,
 or tape and reel options on page 57.

Application: For low profile surface
 mounting of wound toroids up to .560
 inches in diameter. "Lunar Lander" de-
 sign improves coplainarity and terminal
 durability. Ideal for pick and place.

Made in our China factory



[Request a Sample](#)

[View Inventory](#)

[Request a Quote](#)

[Toroid Mount Selector](#)

[REACH Database](#)

[Coil Winder Database](#)