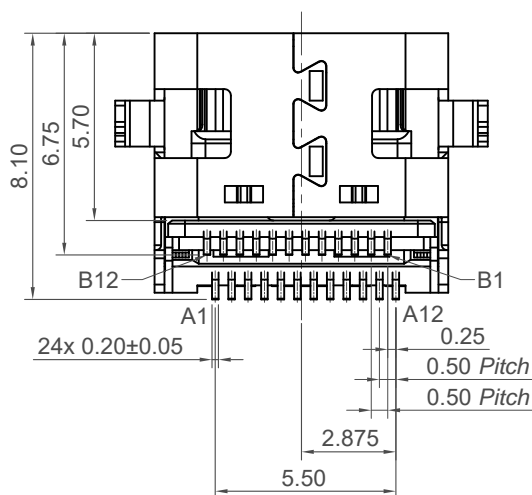
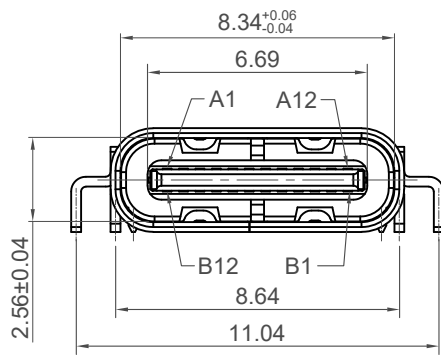
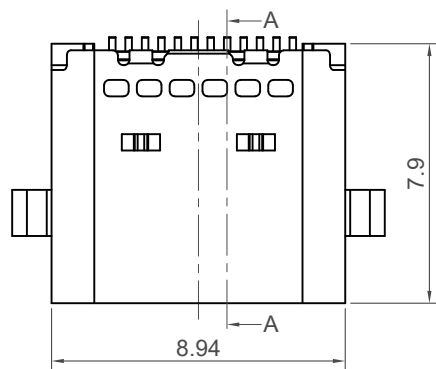
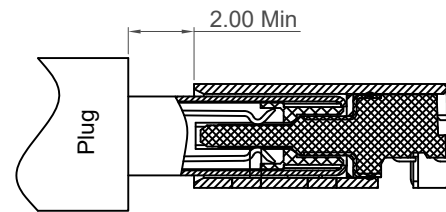
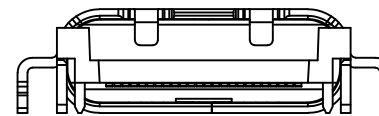
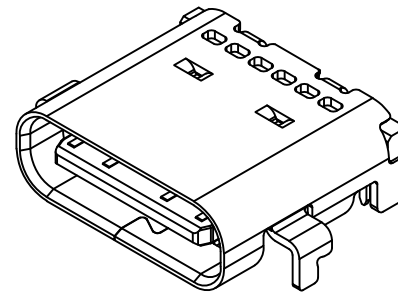
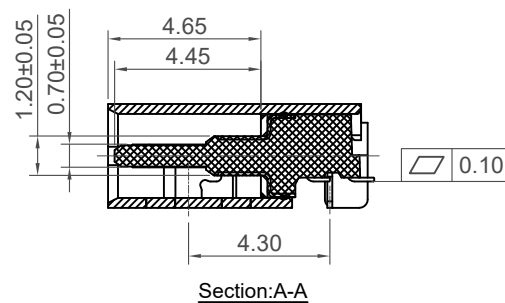
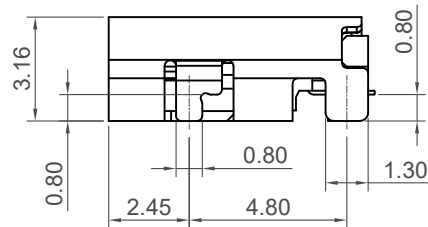


H  
G  
F  
E  
D  
C  
B  
A



Pin	Signal	Mating Sequence	Pin	Signal	Mating Sequence
A1	GND	First	B12	GND	First
A2	SSTXp1	Second	B11	SSRXp1	Second
A3	SSTXn1	Second	B10	SSRXn1	Second
A4	Vbus	First	B9	Vbus	First
A5	CC1	Second	B8	SBU2	Second
A6	Dp1	Second	B7	Dn2	Second
A7	Dn1	Second	B6	Dp2	Second
A8	SBU1	Second	B5	CC2	Second
A9	Vbus	First	B4	Vbus	First
A10	SSRXn2	Second	B3	SSTXn2	Second
A11	SSRXp2	Second	B2	SSTXp2	Second
A12	GND	First	B1	GND	First
SHELL	GND		SHELL	GND	



Plug and Receptacle Mating View

Specifications

Material

Insulator: LCP, UL 94V-0, Black  
 Contact: Copper Alloy  
 Mid Plate: Stainless Steel  
 EMI Plate: Stainless Steel  
 Shell: Stainless Steel

Plating

Terminal  
 Contact Area: See Ordering Grid  
 Solder Tails: Gold Flash  
 Underplating: 50µ" Min. Nickel Over All  
 Shell: 30µ" min. Nickel  
 Mid Plate: 50µ" min Sn over 30µ" min. Nickel  
 EMI Plate: Clear

Electrical

Current Rating: 5.00A collectively for Vbus pins  
 6.25A collectively for GND pins  
 1.25A for A5/B5 pin  
 0.25A per pin for all other pins  
 Voltage Rating: 20V DC  
 Contact Resistance: 40mΩ max initial.  
 50mΩ max after test  
 Dielectric Withstanding Voltage: 100V AC  
 Insulation Resistance 100MΩ min

Mechanical & Environmental

Operating Temperature: -25°C to +85°C  
 Mating Force: 5 to 20 N.  
 Unmated Force: 6 to 20 N after test  
 Durability: 10,000 cycles

Ordering Grid

USB4525 - 03 - A Request Samples and Quotation

Contact Plating: 03 = 3µ" Gold Packing Options: A = Tape & Reel (900pcs/Reel)

Part Number		Product Description	
USB4525		USB3.2 Gen 2 Type C Receptacle, Dual Row SMT, Horizontal, Mid Mount, 0.8mm Offset, 24 Pin	
Drawing Date		8th July 2022	
By	CC	Tolerances (Except as Noted)	Units:
Detail	Drawing Release	Length	Metric (mm)
Revision	A	Angle	
Date	08/07/22	X.X ± 0.30	
		X.XX ± 0.25	
		X.XXX ± 0.10	

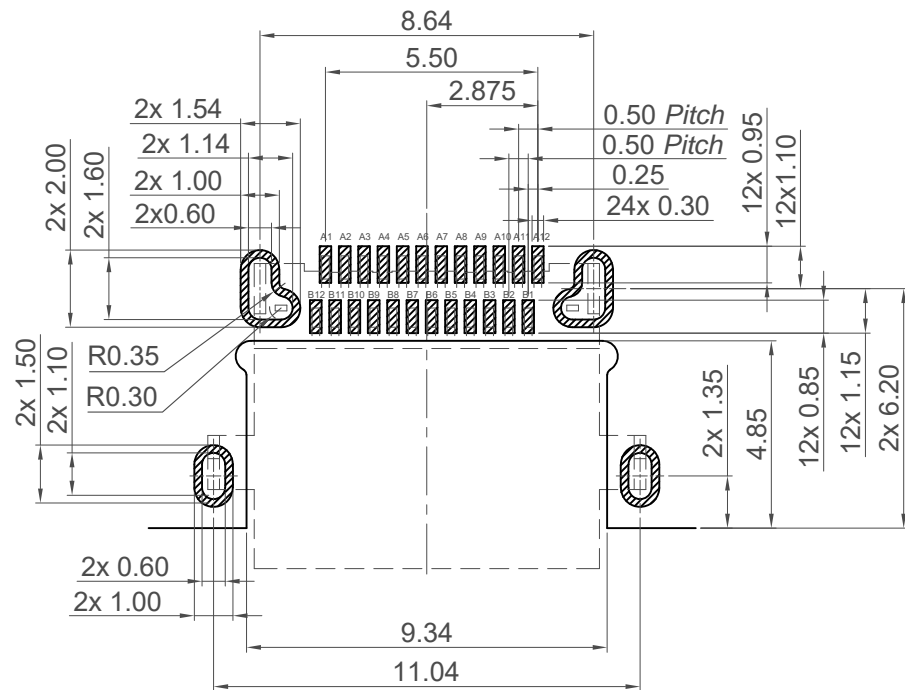


This drawing is confidential and copyright of Global Connector Technology, Ltd (GCT). This drawing must not be copied or disclosed without written consent. E & OE



Not to Scale	Drawn By CC	Sheet No. 1/3
--------------	-------------	---------------

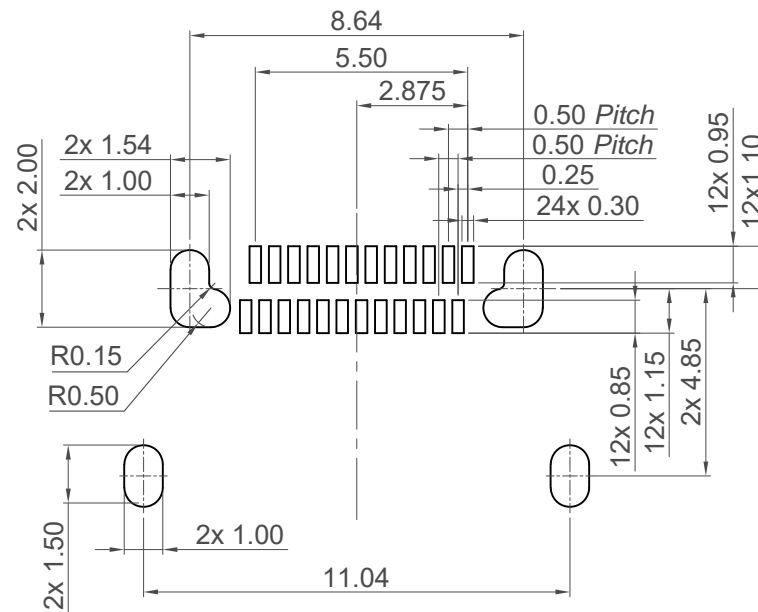
1 2 3 4 5 6 7 8



**Recommended PCB Layout**

As viewed from component side Tolerance: ±0.05mm

▨ Solder Area □ Component Outline

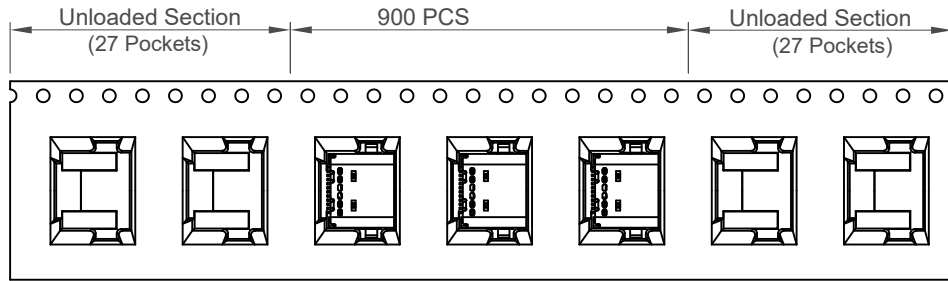


**Recommended Solder mask**

Thickness = 0.12mm  
Tolerance: ±0.05mm

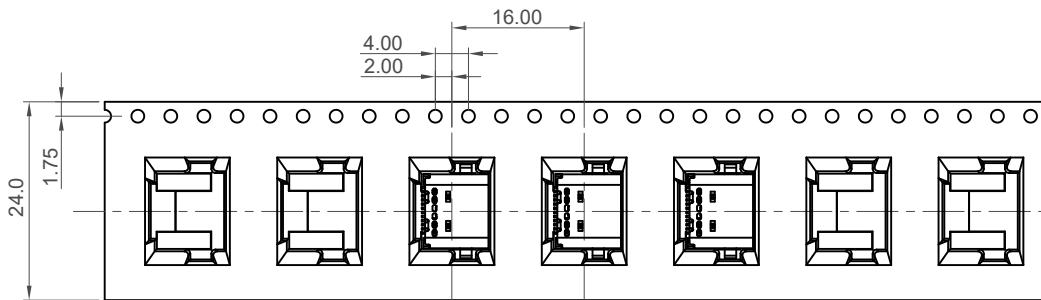
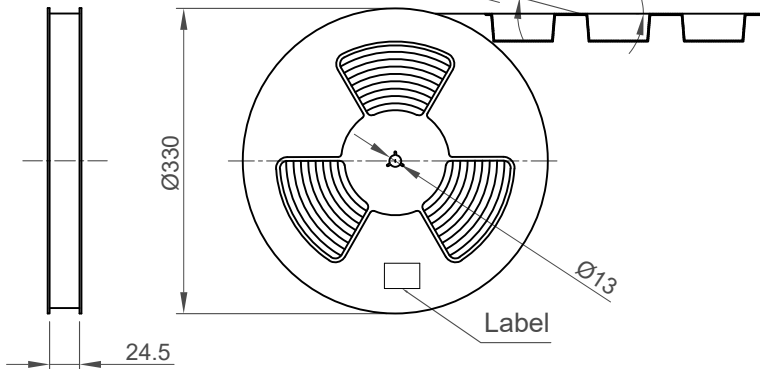
Part Number		Product Description			This drawing is confidential and copyright of Global Connector Technology, Ltd (GCT). This drawing must not be copied or disclosed without written consent. E & OE
USB4525		USB3.2 Gen 2 Type C Receptacle, Dual Row SMT, Horizontal, Mid Mount, 0.8mm Offset, 24 Pin			
Drawing Date		8th July 2022			
By	CC	Tolerances (Except as Noted)	Units:		
Detail	Drawing Release	Length	Metric (mm)		
Revision	A	X.X ± 0.30			
Date	08/07/22	X.XX ± 0.25 X.XXX ± 0.10			
Not to Scale		Drawn By	CC	Sheet No.	2/3



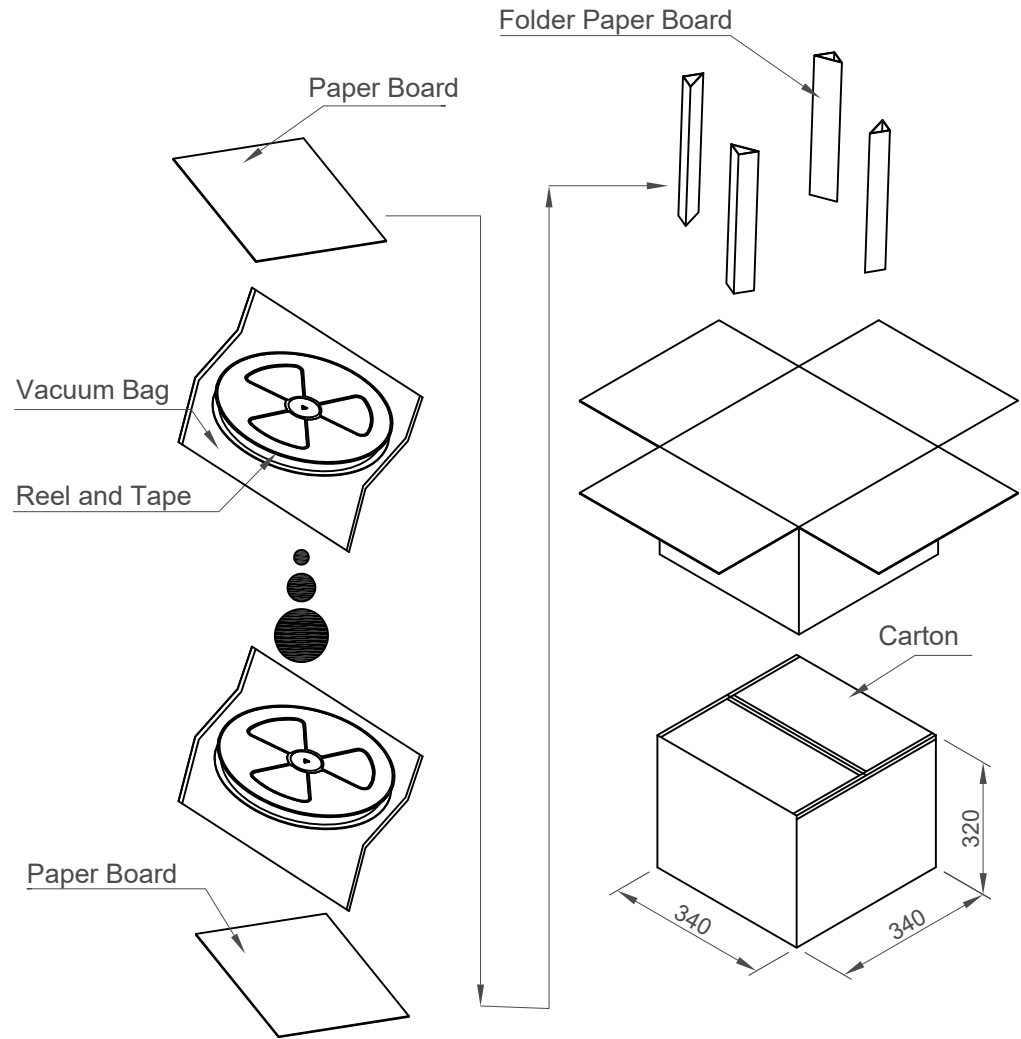


Direction of Unreeling

Peeling Angle 165°~180°



Direction of Unreeling



Pcs / Reel	Reels / Carton	Total Quantity
900	10	9000 pcs

Part Number USB4525		Product Description USB3.2 Gen 2 Type C Receptacle, Dual Row SMT, Horizontal, Mid Mount, 0.8mm Offset, 24 Pin	
Drawing Date 8th July 2022			
By CC	CC	Tolerances (Except as Noted)	Units: Metric (mm)
Detail Drawing Release		Length X.X ± 0.30	  
Revision A		Angle X.XX ± 0.25	
Date 08/07/22		X.XXX ± 0.10	
		This drawing is confidential and copyright of Global Connector Technology, Ltd (GCT). This drawing must not be copied or disclosed without written consent. E & OE	



Not to Scale	Drawn By CC	Sheet No. 3/3
--------------	----------------	------------------