

NOTES:

1. THIS LIGHT PIPE ASSEMBLY TO BE USED WITH THE FOLLOWING 1X2 GANGED CAGE ASSEMBLIES:

747220001 - 1X2 GANGED CAGE ASSEMBLY W/ PRESS FIT LEGS (REFER TO DOCUMENT SD-74722-001 FOR CAGE DETAILS)

2. IT IS RECOMMENDED THAT THE CAGE ASSEMBLY BE PRESSED INTO THE PCB PRIOR TO ASSEMBLING THE LIGHT PIPE ASSEMBLY.

3. LED'S TO HAVE A MAXIMUM HEIGHT OF 1.4mm AND A MINIMUM HEIGHT 0.7mm.

4. RECOMMENDED LED'S INCLUDE THE FOLLOWING MANUFACTURERS:

- DIALIGHT: 597-77x1-5xx SERIES
- CHICAGO MINIATURE: 7016 SERIES
- KINGBRIGHT: APBL3025 SERIES (BICOLOR)
- APL3015 SERIES (SINGLE COLOR)

5. MATERIAL:

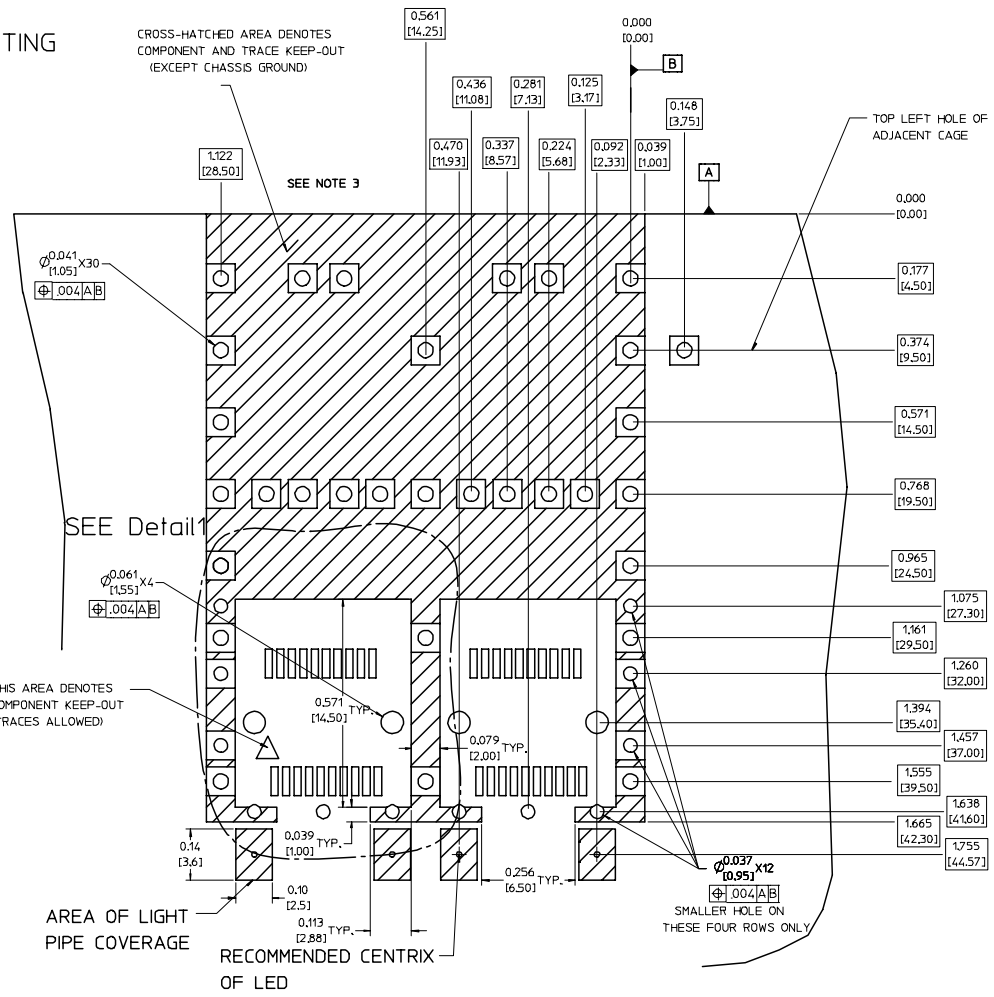
- SHEET METAL COVER: COPPER ALLOY
- LIGHT PIPE: UL94-V2 RATED PLASTIC

6. THIS PART MEETS THE RESTRICTION OF HAZARDOUS SUBSTANCES IN ELECTRICAL AND ELECTRONIC EQUIPMENT (ROHS) DIRECTIVE (2002/95/EC).

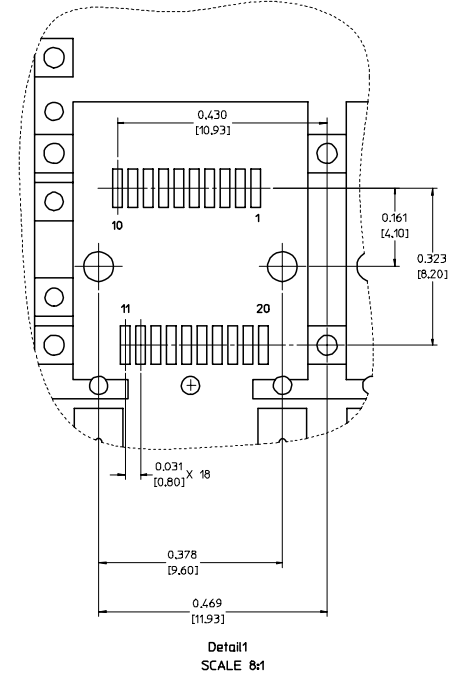
ENTER DESCRIPTION EC NO: USY2008-0195 DRAWN BY: DRWNGHRSR 2007/10/22 CHECKED BY: CHKCRWHRD 2007/11/01 APPROVED BY: APPRBRWHRD 2007/11/01 DESCRIPTION	QUALITY SYMBOLS	GENERAL TOLERANCES (UNLESS SPECIFIED)	DIMENSION STYLE	SCALE	DESIGN UNITS	THIRD ANGLE PROJECTION																										
	$\nabla=0$ $\nabla=0$	<table border="1"> <tr> <th></th> <th>mm</th> <th>INCH</th> </tr> <tr> <td>4 PLACES</td> <td>± .10</td> <td>± .005</td> </tr> <tr> <td>3 PLACES</td> <td>± .13</td> <td>± .01</td> </tr> <tr> <td>2 PLACES</td> <td>± .25</td> <td>± .01</td> </tr> <tr> <td>1 PLACE</td> <td>± .25</td> <td>± .01</td> </tr> <tr> <td>ANGULAR</td> <td colspan="2">± 1 °</td> </tr> </table>		mm	INCH	4 PLACES	± .10	± .005	3 PLACES	± .13	± .01	2 PLACES	± .25	± .01	1 PLACE	± .25	± .01	ANGULAR	± 1 °		<table border="1"> <tr> <th>IN/MM</th> <th>DATE</th> </tr> <tr> <td>DRAWN BY</td> <td>KS IMONSO 2004/07/08</td> </tr> <tr> <td>CHECKED BY</td> <td>BRUSSELL 2004/07/08</td> </tr> <tr> <td>APPROVED BY</td> <td>BRUSSELL 2004/07/08</td> </tr> </table>	IN/MM	DATE	DRAWN BY	KS IMONSO 2004/07/08	CHECKED BY	BRUSSELL 2004/07/08	APPROVED BY	BRUSSELL 2004/07/08	4:1	METRIC	
		mm	INCH																													
	4 PLACES	± .10	± .005																													
3 PLACES	± .13	± .01																														
2 PLACES	± .25	± .01																														
1 PLACE	± .25	± .01																														
ANGULAR	± 1 °																															
IN/MM	DATE																															
DRAWN BY	KS IMONSO 2004/07/08																															
CHECKED BY	BRUSSELL 2004/07/08																															
APPROVED BY	BRUSSELL 2004/07/08																															
DRAFT WHERE APPLICABLE MUST REMAIN WITHIN DIMENSIONS			MATERIAL NO: 747270001 SIZE: D	TITLE: 1X2 SFP LIGHT PIPE ASSEMBLY, BACK-TOP MOLEX INCORPORATED	DOCUMENT NO: SD-74727-001 SHEET NO: 1 OF 5																											
THIS DRAWING CONTAINS INFORMATION THAT IS PROPRIETARY TO MOLEX INCORPORATED AND SHOULD NOT BE USED WITHOUT WRITTEN PERMISSION																																

PCB LAYOUT FOR BELLY TO BELLY MOUNTING

CROSS-HATCHED AREA DENOTES
COMPONENT AND TRACE KEEP-OUT
(EXCEPT CHASSIS GROUND)



HOST CONNECTOR DETAIL



Detail1
SCALE 8:1

THIS AREA DENOTES
COMPONENT KEEP-OUT
(TRACES ALLOWED)

SEE Detail

AREA OF LIGHT
PIPE COVERAGE

RECOMMENDED CENTRIX
OF LED

SMALLER HOLE ON
THESE FOUR ROWS ONLY

TOP LEFT HOLE OF
ADJACENT CAGE

- NOTES:
- PADS AND VIAS GO TO CHASSIS GROUND.
 - CAGE MOUNTING THRU HOLES (34 PLACES) TO BE PLATED.
 - HOLE PATTERN REPEATS FOR EACH PORT, SPACING BETWEEN PORTS IS .561 [14.25].

ENTER DESCRIPTION EC NO: UST2008-095 DRAWN BY: DRWINCHIRSHY 2007/10/22 CHECKED BY: CHKORAHMOOD 2007/11/01 APPROVED BY: APPR:BRHMOOD 2007/11/01 DESCRIPTION	QUALITY SYMBOLS	GENERAL TOLERANCES (UNLESS SPECIFIED)	DIMENSION STYLE	SCALE	DESIGN UNITS	THIRD ANGLE PROJECTION	
	$\nabla=0$ $\nabla=0$	mm INCH 4 PLACES ± --- ± --- 3 PLACES ± --- ± .005 2 PLACES ± 0.13 ± .01 1 PLACE ± 0.25 ± --- ANGULAR ± 1 °	IN/MM	6:1	METRIC		
			DRAWN BY: KS IMONSO CHECKED BY: BRUSSELL APPROVED BY: BRUSSELL	DATE: 2004/07/08 DATE: 2004/07/08 DATE: 2004/07/08		TITLE: 1X2 SFP LIGHT PIPE ASSEMBLY, BACK-TOP	
			MATERIAL NO: 747270001 DOCUMENT NO: SD-74727-001			MOLEX INCORPORATED	SHEET NO: 2 OF 5
DRAFT WHERE APPLICABLE MUST REMAIN WITHIN DIMENSIONS		THIS DRAWING CONTAINS INFORMATION THAT IS PROPRIETARY TO MOLEX INCORPORATED AND SHOULD NOT BE USED WITHOUT WRITTEN PERMISSION					

PCB LAYOUT FOR SINGLE SIDE MOUNTING

CROSS-HATCHED AREA DENOTES
COMPONENT AND TRACE KEEP-OUT
(EXCEPT CHASSIS GROUND)

SEE NOTE 3

THIS AREA DENOTES
COMPONENT KEEP-OUT
(TRACES ALLOWED)

AREA OF LIGHT
PIPE COVERAGE

RECOMMENDED CENTRIX
OF LED

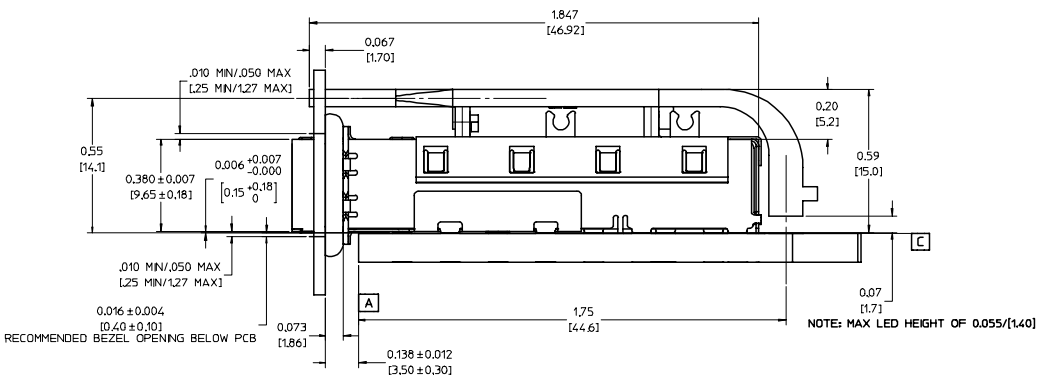
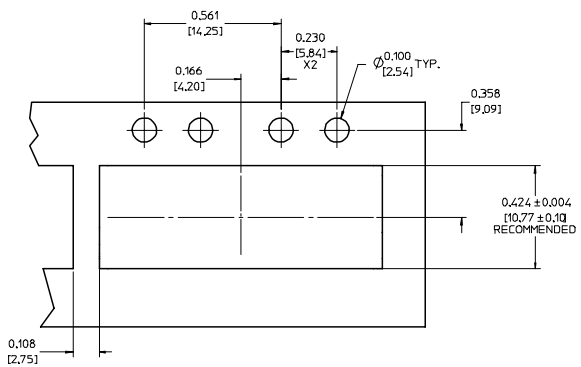
TOP LEFT HOLE
OF ADJACENT CAGE

- NOTES:
1. PADS AND VIAS GO TO CHASSIS GROUND.
 2. CAGE MOUNTING THRU HOLES (19 PLACES) TO BE PLATED.
 3. HOLE PATTERN REPEATS FOR EACH PORT.
SPACING BETWEEN PORTS IS .561 [14.25].

ENTER DESCRIPTION EC NO: UST2008-0095 DRAWN BY: DRWN:HSRHY 2007/10/22 CHKDR:RHHOOD 2007/11/01 APPR:RHHOOD 2007/11/01 DESCRIPTION:	QUALITY SYMBOLS	GENERAL TOLERANCES (UNLESS SPECIFIED)	DIMENSION STYLE	SCALE	DESIGN UNITS	THIRD ANGLE PROJECTION
	▽=0 ▽=0	4 PLACES ± --- ± --- 3 PLACES ± --- ± .005 2 PLACES ± 0.13 ± .01 1 PLACE ± 0.25 ± --- ANGULAR ± 1 °	IN/MM INCH	6:1	METRIC	DATE DATE DATE DATE
	DRAWN BY: KS IMONSO CHECKED BY: BRUSSELL APPROVED BY: BRUSSELL	DATE: 2004/07/08 DATE: 2004/07/08 DATE: 2004/07/08	TITLE: 1X2 SFP LIGHT PIPE ASSEMBLY, BACK-TOP MOLEX INCORPORATED	MATERIAL NO: 747270001 DOCUMENT NO: SD-74727-001	SHEET NO: 3 OF 5	
	DRAFT WHERE APPLICABLE MUST REMAIN WITHIN DIMENSIONS THIS DRAWING CONTAINS INFORMATION THAT IS PROPRIETARY TO MOLEX INCORPORATED AND SHOULD NOT BE USED WITHOUT WRITTEN PERMISSION					

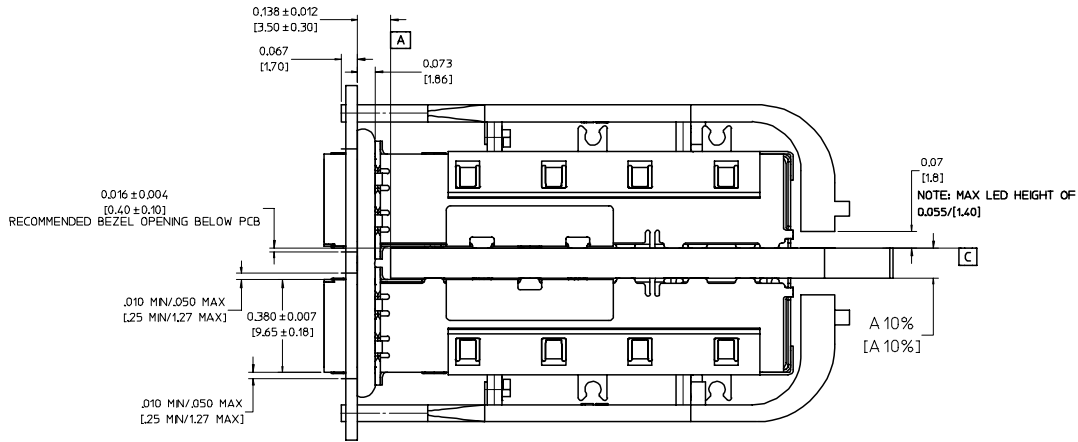
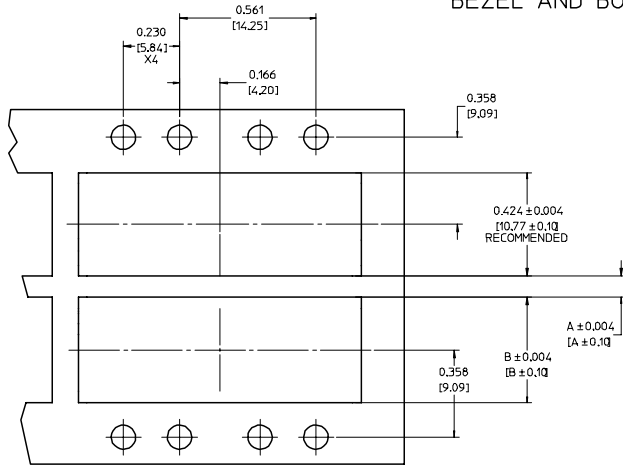
20 19 18 17 16 15 14 13 12 11 10 9 8 7 6 5 4 3 2 1

M
L
K
J
I
H
G
F
E
D
C
B
A



BEZEL AND BOARD POSITION DIMENSIONS FOR SINGLE SIDE MOUNTING

BEZEL AND BOARD POSITION DIMENSIONS FOR BELLY TO BELLY MOUNTING



NOTE: FOR A GIVEN BOARD THICKNESS (A), DIMENSIONS (B) AND (C) ARE DIRECTLY AFFECTED.

USE RECOMMENDED DIMENSIONS AND TOLERANCES TO AID IN DEVELOPING BEZEL OPENING.

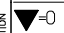
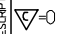


FOR EXAMPLE USING A BOARD THICKNESS OF .125" THE RECOMMENDED VALUES WOULD BE:

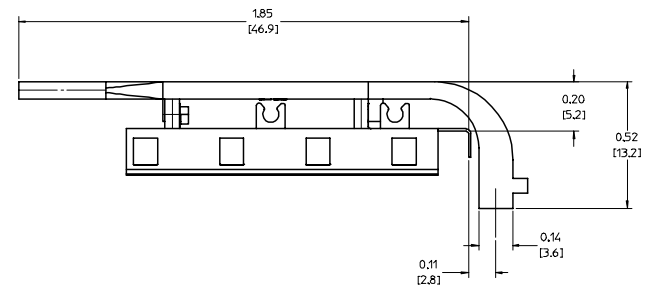
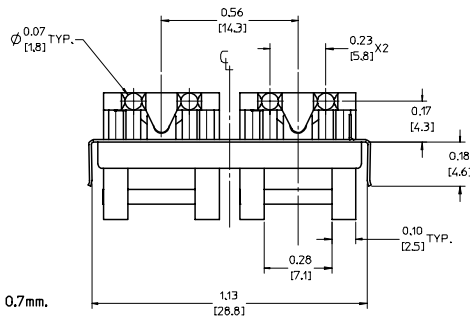
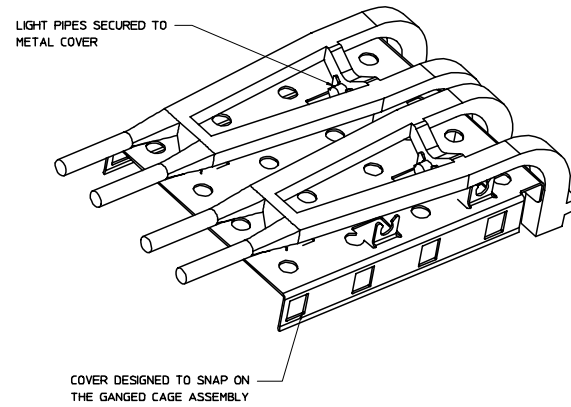
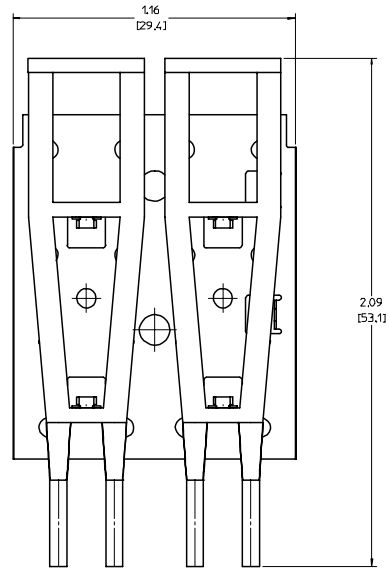
- A= .125/3.18 ± 10%
- B= .434/11.03 ± .004
- C= .088/2.23 ± .004

ENTER DESCRIPTION EC NO: UST2008-095 DRAWN BY: DRWINCHIRSHY 2007/10/22 CHECKED BY: CHIKORAHMOOD 2007/11/01 APPROVED BY: APRILRAHMOOD 2007/11/01 REV DESCRIPTION	QUALITY SYMBOLS	GENERAL TOLERANCES (UNLESS SPECIFIED)	DIMENSION STYLE	SCALE	DESIGN UNITS	THIRD ANGLE PROJECTION	
	▽=0 ▽=0	4 PLACES ± --- ± --- 3 PLACES ± --- ± .005 2 PLACES ± 0.13 ± .01 1 PLACE ± 0.25 ± --- ANGULAR ± 1 °	IN/MM DATE DATE DATE	4:1	METRIC		
			DRAWN BY: KS IMONSO 2004/07/08			TITLE	1X2 SFP LIGHT PIPE ASSEMBLY, BACK-TOP
			CHECKED BY: BRUSSELL 2004/07/08			APPROVED BY: BRUSSELL 2004/07/08	MOLEX INCORPORATED
			MATERIAL NO: 747270001		DOCUMENT NO: SD-74727-001	SHEET NO: 4 OF 5	
		DRAFT WHERE APPLICABLE MUST REMAIN WITHIN DIMENSIONS	THIS DRAWING CONTAINS INFORMATION THAT IS PROPRIETARY TO MOLEX INCORPORATED AND SHOULD NOT BE USED WITHOUT WRITTEN PERMISSION				

19 18 17 16 15 14 13 12 11 10 9 8 7 6 5 4 3 2 1

DATE	REV	CHANGES	COMMENTS
2003/12/09	1	PRELIMINARY DOCUMENT	N/A
2004/07/08	A	INITIAL RELEASE	N/A
2005/06/03	B	CORRECTED P/N FOR DIALIGHT LED. UPDATED DIMENSIONS.	DOCUMENT CHANGE ONLY
2005/06/10	C	UPDATED VIEWS TO SHOW CLEARANCE HOLES ADDED TO THE COVER.	N/A
2007/10/22	D	ADDED COMPONENT MATERIAL INFORMATION TO NOTES SECTION OF SHEET 1	DOCUMENT CHANGE ONLY

ENTER DESCRIPTION EC NO: USY2008-0195 D 2007/10/22 DRWNGHRSRHY CHKDRMARMOOD 2007/11/01 APPR:RMAHMOOD 2007/11/01 REV DESCRIPTION	QUALITY SYMBOLS  = 0  = 0.05	GENERAL TOLERANCES (UNLESS SPECIFIED) <table border="1"> <thead> <tr> <th></th> <th>mm</th> <th>INCH</th> </tr> </thead> <tbody> <tr> <td>4 PLACES ±</td> <td>0.13</td> <td>±.005</td> </tr> <tr> <td>3 PLACES ±</td> <td>0.25</td> <td>±.01</td> </tr> <tr> <td>2 PLACES ±</td> <td>0.50</td> <td>±.02</td> </tr> <tr> <td>1 PLACE ±</td> <td>1.00</td> <td>±.05</td> </tr> <tr> <td>ANGULAR</td> <td colspan="2">± 1°</td> </tr> </tbody> </table>		mm	INCH	4 PLACES ±	0.13	±.005	3 PLACES ±	0.25	±.01	2 PLACES ±	0.50	±.02	1 PLACE ±	1.00	±.05	ANGULAR	± 1°		DIMENSION STYLE IN/MM DRAWN BY: KS IMONSO DATE: 2004/07/08 CHECKED BY: BRUSSELL DATE: 2004/07/08 APPROVED BY: BRUSSELL DATE: 2004/07/08	SCALE: 1:1 DESIGN UNITS: METRIC  THIRD ANGLE PROJECTION	TITLE 1X2 SFP LIGHT PIPE ASSEMBLY, BACK-TOP
		mm	INCH																				
4 PLACES ±	0.13	±.005																					
3 PLACES ±	0.25	±.01																					
2 PLACES ±	0.50	±.02																					
1 PLACE ±	1.00	±.05																					
ANGULAR	± 1°																						
DRAFT WHERE APPLICABLE MUST REMAIN WITHIN DIMENSIONS		MATERIAL NO: 747270001 SIZE: D	DOCUMENT NO: SD-74727-001  MOLEX INCORPORATED	SHEET NO: 5 OF 5	THIS DRAWING CONTAINS INFORMATION THAT IS PROPRIETARY TO MOLEX INCORPORATED AND SHOULD NOT BE USED WITHOUT WRITTEN PERMISSION																		



NOTES:

1. THIS LIGHT PIPE ASSEMBLY TO BE USED WITH THE FOLLOWING 1X2 GANGED CAGE ASSEMBLIES:

747220001 - 1X2 GANGED CAGE ASSEMBLY W/ PRESS FIT LEGS (REFER TO DOCUMENT SD-74722-001 FOR CAGE DETAILS)

2. IT IS RECOMMENDED THAT THE CAGE ASSEMBLY BE PRESSED INTO THE PCB PRIOR TO ASSEMBLING THE LIGHT PIPE ASSEMBLY.

3. LED'S TO HAVE A MAXIMUM HEIGHT OF 1.4mm AND A MINIMUM HEIGHT 0.7mm.

4. RECOMMENDED LED'S INCLUDE THE FOLLOWING MANUFACTURERS:

- DIALIGHT: 597-77x1-5xx SERIES
- CHICAGO MINIATURE: 7016 SERIES
- KINGBRIGHT: APBL3025 SERIES (BICOLOR)
- APL3015 SERIES (SINGLE COLOR)

5. MATERIAL:

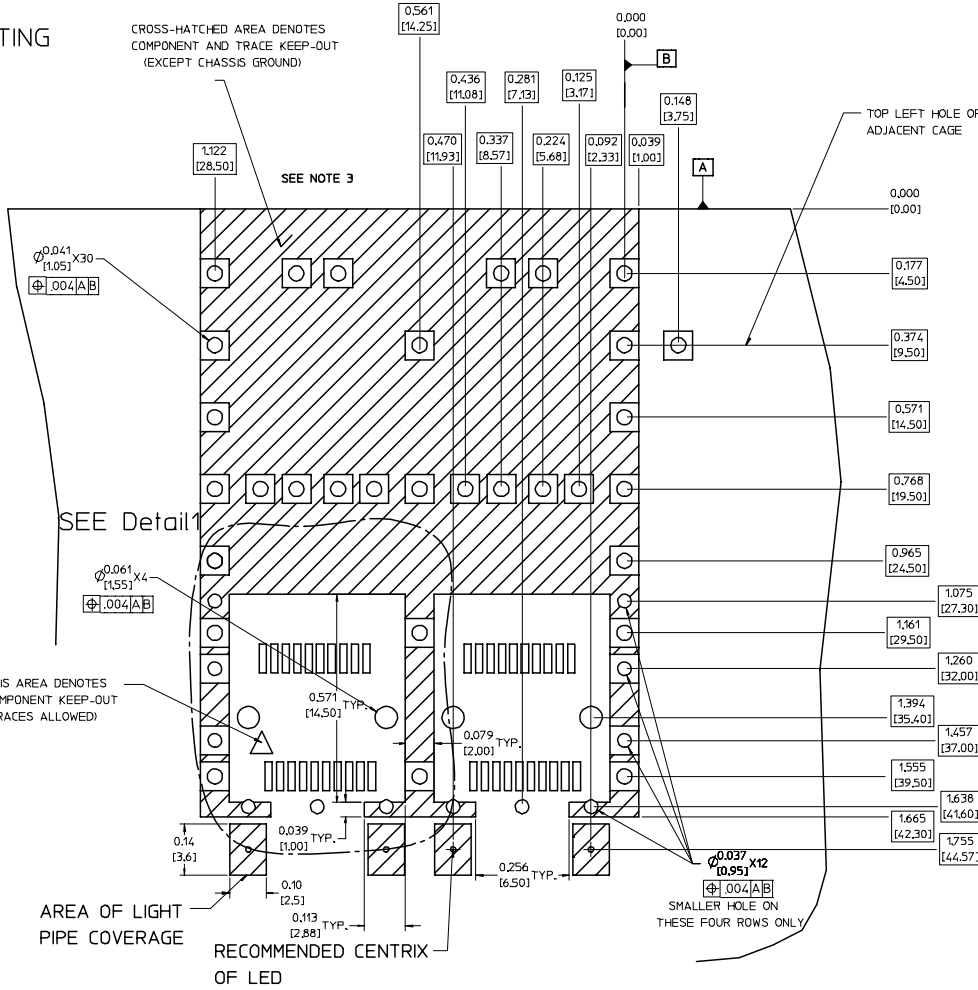
- SHEET METAL COVER: COPPER ALLOY
- LIGHT PIPE: UL94-V2 RATED PLASTIC

6. THIS PART MEETS THE RESTRICTION OF HAZARDOUS SUBSTANCES IN ELECTRICAL AND ELECTRONIC EQUIPMENT (ROHS) DIRECTIVE (2002/95/EC).

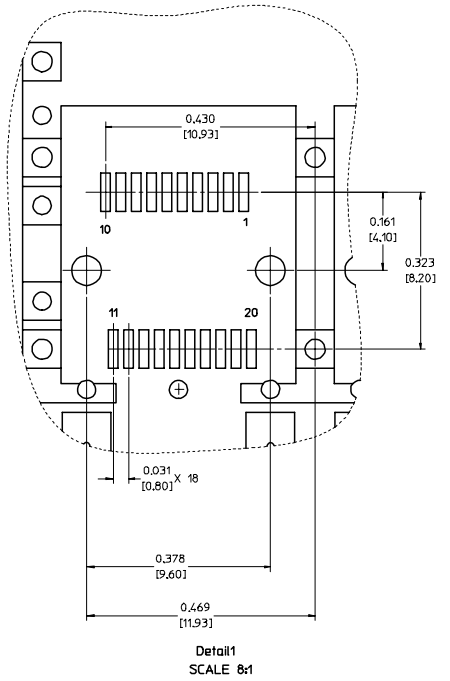
ENTER DESCRIPTION EC NO: USY2008-0195 DRAWN BY: DRWNGHRSRHY 2007/10/22 CHECKED BY: CHKCRWHRMDD 2007/11/01 APPROVED BY: APPRBRWHRMDD 2007/11/01 DESCRIPTION	QUALITY SYMBOLS	GENERAL TOLERANCES (UNLESS SPECIFIED)	DIMENSION STYLE	SCALE	DESIGN UNITS	THIRD ANGLE PROJECTION																	
	$\nabla=0$ $\nabla=0$	<table border="1"> <tr> <th></th> <th>mm</th> <th>INCH</th> </tr> <tr> <td>4 PLACES</td> <td>± .10</td> <td>± .005</td> </tr> <tr> <td>3 PLACES</td> <td>± .13</td> <td>± .01</td> </tr> <tr> <td>2 PLACES</td> <td>± .25</td> <td>± .01</td> </tr> <tr> <td>1 PLACE</td> <td>± .25</td> <td>± .01</td> </tr> <tr> <td>ANGULAR</td> <td colspan="2">± 1 °</td> </tr> </table>		mm	INCH	4 PLACES	± .10	± .005	3 PLACES	± .13	± .01	2 PLACES	± .25	± .01	1 PLACE	± .25	± .01	ANGULAR	± 1 °		IN/MM 4:1	METRIC	
		mm	INCH																				
	4 PLACES	± .10	± .005																				
3 PLACES	± .13	± .01																					
2 PLACES	± .25	± .01																					
1 PLACE	± .25	± .01																					
ANGULAR	± 1 °																						
DRAFT WHERE APPLICABLE MUST REMAIN WITHIN DIMENSIONS	MATERIAL NO: 747270001	DRAWN BY: KS IMONSO 2004/07/08	DATE: 2004/07/08	TITLE: 1X2 SFP LIGHT PIPE ASSEMBLY, BACK-TOP																			
	SIZE: D	APPROVED BY: BRUSSELL 2004/07/08	DATE: 2004/07/08	MOLEX INCORPORATED DOCUMENT NO: SD-74727-001 SHEET NO: 1 OF 5																			

PCB LAYOUT FOR BELLY TO BELLY MOUNTING

CROSS-HATCHED AREA DENOTES
COMPONENT AND TRACE KEEP-OUT
(EXCEPT CHASSIS GROUND)



HOST CONNECTOR DETAIL



Detail1
SCALE 8:1

NOTES:

1. PADS AND VIAS GO TO CHASSIS GROUND.
2. CAGE MOUNTING THRU HOLES (34 PLACES) TO BE PLATED.
3. HOLE PATTERN REPEATS FOR EACH PORT, SPACING BETWEEN PORTS IS .561 [14.25].

ENTER DESCRIPTION EC NO: UST2008-095 DRAWN BY: DRWINCHIRSHY 2007/10/22 CHECKED BY: CHIKORAHMOOD 2007/11/01 APPROVED BY: APR:IRAHMOOD 2007/11/01 DESCRIPTION	QUALITY SYMBOLS ▽=0 ▽=0	GENERAL TOLERANCES (UNLESS SPECIFIED) <table border="1"> <tr> <th></th> <th>mm</th> <th>INCH</th> </tr> <tr> <td>4 PLACES ±</td> <td>---</td> <td>±</td> </tr> <tr> <td>3 PLACES ±</td> <td>---</td> <td>±.005</td> </tr> <tr> <td>2 PLACES ±</td> <td>0.13</td> <td>±.01</td> </tr> <tr> <td>1 PLACE ±</td> <td>0.25</td> <td>±---</td> </tr> <tr> <td colspan="3">ANGULAR ± 1 °</td> </tr> </table>		mm	INCH	4 PLACES ±	---	±	3 PLACES ±	---	±.005	2 PLACES ±	0.13	±.01	1 PLACE ±	0.25	±---	ANGULAR ± 1 °			DIMENSION STYLE IN/MM	SCALE 6:1	DESIGN UNITS METRIC	THIRD ANGLE PROJECTION
		mm	INCH																					
	4 PLACES ±	---	±																					
	3 PLACES ±	---	±.005																					
2 PLACES ±	0.13	±.01																						
1 PLACE ±	0.25	±---																						
ANGULAR ± 1 °																								
DRAWN BY: KS IMONSO CHECKED BY: BRUSSELL APPROVED BY: BRUSSELL	DATE: 2004/07/08 DATE: 2004/07/08 DATE: 2004/07/08	TITLE 1X2 SFP LIGHT PIPE ASSEMBLY, BACK-TOP	MATERIAL NO: 747270001	DOCUMENT NO: SD-74727-001	MOLEX INCORPORATED	SHEET NO: 2 OF 5																		
DRAFT WHERE APPLICABLE MUST REMAIN WITHIN DIMENSIONS																								
THIS DRAWING CONTAINS INFORMATION THAT IS PROPRIETARY TO MOLEX INCORPORATED AND SHOULD NOT BE USED WITHOUT WRITTEN PERMISSION																								

PCB LAYOUT FOR SINGLE SIDE MOUNTING

CROSS-HATCHED AREA DENOTES
COMPONENT AND TRACE KEEP-OUT
(EXCEPT CHASSIS GROUND)

SEE NOTE 3

TOP LEFT HOLE
OF ADJACENT CAGE

THIS AREA DENOTES
COMPONENT KEEP-OUT
(TRACES ALLOWED)

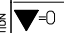
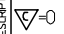


AREA OF LIGHT
PIPE COVERAGE

RECOMMENDED CENTRIX
OF LED

- NOTES:
1. PADS AND VIAS GO TO CHASSIS GROUND.
 2. CAGE MOUNTING THRU HOLES (19 PLACES) TO BE PLATED.
 3. HOLE PATTERN REPEATS FOR EACH PORT.
SPACING BETWEEN PORTS IS .561 [14.25].

ENTER DESCRIPTION EC NO: UST2008-0095 DRAWN BY: DRWNHRSRHY 2007/10/22 CHKDR: RHMWOOD 2007/11/01 APPR: RHMWOOD 2007/11/01 DESCRIPTION:	QUALITY SYMBOLS	GENERAL TOLERANCES (UNLESS SPECIFIED)	DIMENSION STYLE	SCALE	DESIGN UNITS	THIRD ANGLE PROJECTION
	▽=0 ▽=0	4 PLACES ± --- ± --- 3 PLACES ± --- ± .005 2 PLACES ± 0.13 ± .01 1 PLACE ± 0.25 ± --- ANGULAR ± 1 °	IN/MM INCH	6:1	METRIC	DATE: 2004/07/08 DATE: 2004/07/08 DATE: 2004/07/08
	DRAWN BY: KS IMONSO CHECKED BY: BRUSSELL APPROVED BY: BRUSSELL	MATERIAL NO: 747270001 DRAFT WHERE APPLICABLE MUST REMAIN WITHIN DIMENSIONS	DOCUMENT NO: SD-74727-001	TITLE: 1X2 SFP LIGHT PIPE ASSEMBLY, BACK-TOP MOLEX INCORPORATED	SHEET NO: 3 OF 5	
	THIS DRAWING CONTAINS INFORMATION THAT IS PROPRIETARY TO MOLEX INCORPORATED AND SHOULD NOT BE USED WITHOUT WRITTEN PERMISSION					

DATE	REV	CHANGES	COMMENTS
2003/12/09	1	PRELIMINARY DOCUMENT	N/A
2004/07/08	A	INITIAL RELEASE	N/A
2005/06/03	B	CORRECTED P/N FOR DIALIGHT LED. UPDATED DIMENSIONS.	DOCUMENT CHANGE ONLY
2005/06/10	C	UPDATED VIEWS TO SHOW CLEARANCE HOLES ADDED TO THE COVER.	N/A
2007/10/22	D	ADDED COMPONENT MATERIAL INFORMATION TO NOTES SECTION OF SHEET 1	DOCUMENT CHANGE ONLY

ENTER DESCRIPTION EC NO: USY2008-0195 D 2007/10/22 DRWNGHRSRHY CHKDRMARMOOD 2007/11/01 APPR:RMAHMOOD 2007/11/01 REV DESCRIPTION	QUALITY SYMBOLS  = 0  = 0	GENERAL TOLERANCES (UNLESS SPECIFIED) <table border="1"> <thead> <tr> <th></th> <th>mm</th> <th>INCH</th> </tr> </thead> <tbody> <tr> <td>4 PLACES ±</td> <td>---</td> <td>---</td> </tr> <tr> <td>3 PLACES ±</td> <td>---</td> <td>±.005</td> </tr> <tr> <td>2 PLACES ±</td> <td>0.13</td> <td>±.01</td> </tr> <tr> <td>1 PLACE ±</td> <td>0.25</td> <td>---</td> </tr> <tr> <td>ANGULAR</td> <td colspan="2">± 1 °</td> </tr> </tbody> </table>		mm	INCH	4 PLACES ±	---	---	3 PLACES ±	---	±.005	2 PLACES ±	0.13	±.01	1 PLACE ±	0.25	---	ANGULAR	± 1 °		DIMENSION STYLE IN/MM DRAWN BY: KS IMONSO DATE: 2004/07/08 CHECKED BY: BRUSSELL DATE: 2004/07/08 APPROVED BY: BRUSSELL DATE: 2004/07/08	SCALE: 1:1 DESIGN UNITS: METRIC  THIRD ANGLE PROJECTION	TITLE 1X2 SFP LIGHT PIPE ASSEMBLY, BACK-TOP
		mm	INCH																				
4 PLACES ±	---	---																					
3 PLACES ±	---	±.005																					
2 PLACES ±	0.13	±.01																					
1 PLACE ±	0.25	---																					
ANGULAR	± 1 °																						
DRAFT WHERE APPLICABLE MUST REMAIN WITHIN DIMENSIONS	MATERIAL NO: 747270001	DOCUMENT NO: SD-74727-001	 MOLEX INCORPORATED	SHEET NO: 5 OF 5	THIS DRAWING CONTAINS INFORMATION THAT IS PROPRIETARY TO MOLEX INCORPORATED AND SHOULD NOT BE USED WITHOUT WRITTEN PERMISSION																		