

THIS DRAWING CONTAINS INFORMATION THAT IS PROPRIETARY TO MOLEX ELECTRONIC TECHNOLOGIES, LLC AND SHOULD NOT BE USED WITHOUT WRITTEN PERMISSION

| | | | | | | |
|---|--------|------------------------------------|------------|--|--------------|--|
| DIMENSION UNITS | SCALE | CURRENT REV DESC: REMASTERED TO NX | | molex | | |
| mm | NTS | | | | | |
| GENERAL TOLERANCES (UNLESS SPECIFIED) | | | | I-TRAC BACKPLANE HEADER GUIDE LEFT ASSEMBLY SALES DRAWING | | |
| ANGULAR TOL | ± 0.5° | EC NO: 671119 | | PRODUCT CUSTOMER DRAWING | | |
| 4 PLACES | ± | DRWN: YOGEEB | 2021/06/21 | DOCUMENT NUMBER | | |
| 3 PLACES | ± | CHK'D: MMALLIGEVALU | 2022/01/28 | SD-75705-002 | | |
| 2 PLACES | ± 0.13 | APPR: CWANG25 | 2022/02/18 | DOC TYPE DOC PART REVISION | | |
| 1 PLACE | ± 0.25 | INITIAL REVISION: | | PSD 001 E1 | | |
| 0 PLACES | ± | DRWN: BPISZCZOR | 2006/06/06 | MATERIAL NUMBER | | |
| | | APPR: JLAURX | 2006/06/12 | CUSTOMER | | |
| DRAFT WHERE APPLICABLE MUST REMAIN WITHIN DIMENSIONS | | THIRD ANGLE PROJECTION | DRAWING | SERIES | SHEET NUMBER | |
| | | | C-SIZE | 75705 | 1 OF 4 | |

75705-***

MODULE TYPE -- TAIL PLATING TYPE
 GUIDE LEFT -- TIN ONLY = 2 (PREVIOUSLY TIN/LEAD)
 GUIDE LEFT -- TIN ONLY = 3
 GUIDE LEFT W/END -- TIN ONLY = 6 (PREVIOUSLY TIN/LEAD)
 GUIDE LEFT W/END -- TIN ONLY = 7

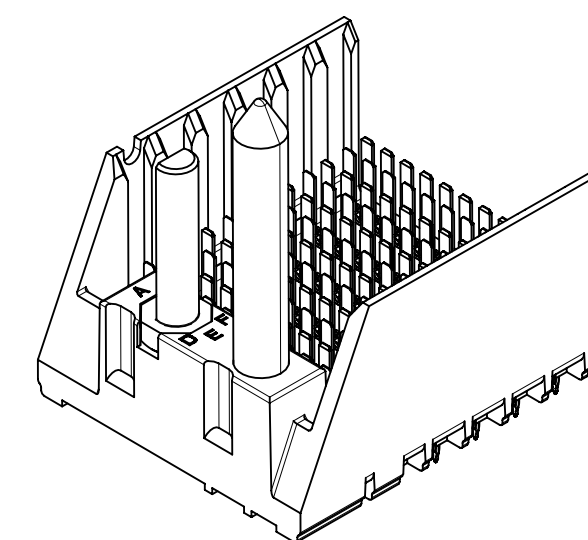
OF COLUMNS
 5 = 5 COL
 6 = 6 COL
 8 = 8 COL
 1 = 10 COL

KEY ORIENTATION
 0 = NO KEY
 1 = A
 2 = B
 3 = C
 4 = D
 5 = E
 6 = F
 7 = G
 8 = H

PIN LENGTH (P)
 2 = 3.90 - 30 GOLD
 3 = 4.70 - 30 GOLD
 4 = 5.70 - 30 GOLD
 5 = 4.70 & 5.70 - 30 GOLD STAGGERED
 6 = 3.90 - 10 GOLD
 7 = 4.70 - 10 GOLD
 8 = 5.70 - 10 GOLD
 9 = 4.70 & 5.70 - 10 GOLD STAGGERED

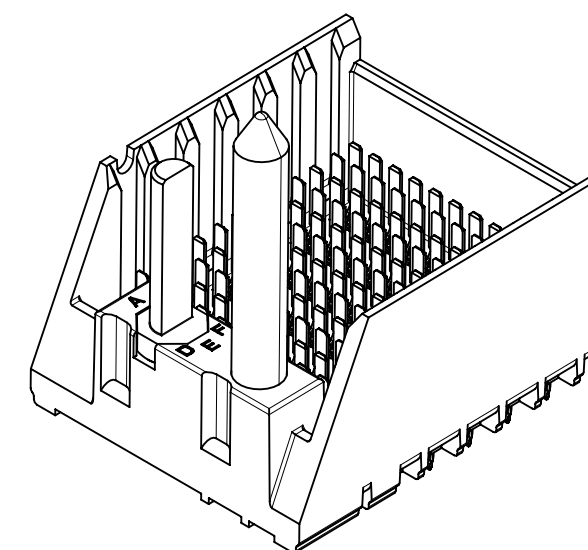
| MATERIAL NUMBER | # OF COLUMNS | DIM "A" | DIM "B" |
|-----------------|--------------|---------|---------|
| 75705-*5** | 5 | 24.8 | 14.80 |
| 75705-*6** | 6 | 28.5 | 18.50 |
| 75705-*8** | 8 | 35.9 | 25.90 |
| 75705-*1** | 10 | 43.3 | 33.30 |

GUIDE LEFT STYLE



| MATERIAL NUMBER | # OF COLUMNS | DIM "A" | DIM "B" |
|-----------------|--------------|---------|---------|
| 75705-*5** | 5 | 26.1 | 14.80 |
| 75705-*6** | 6 | 29.8 | 18.50 |
| 75705-*8** | 8 | 37.2 | 25.90 |
| 75705-*1** | 10 | 44.6 | 33.30 |

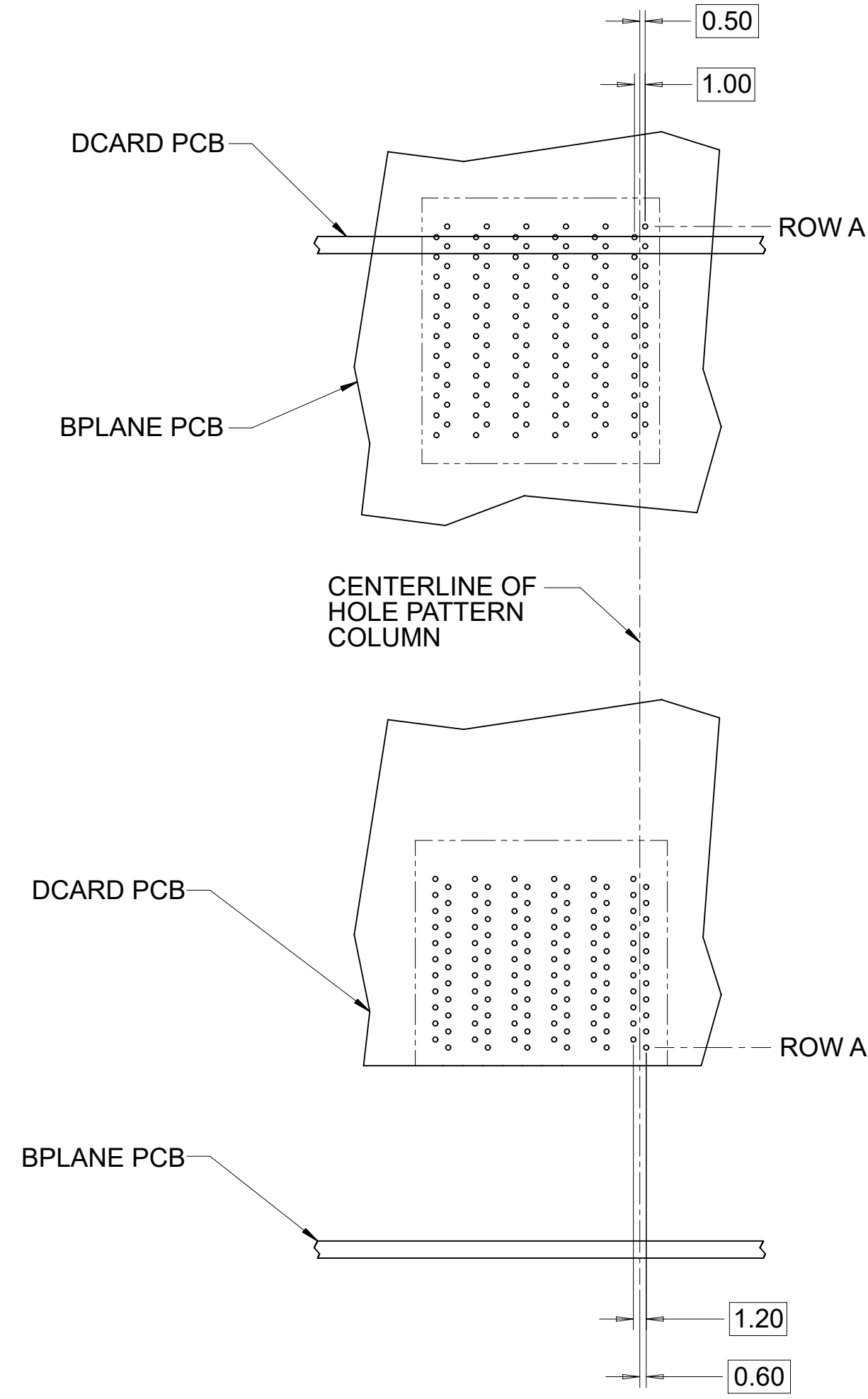
GUIDE LEFT W/END STYLE



NOTES:

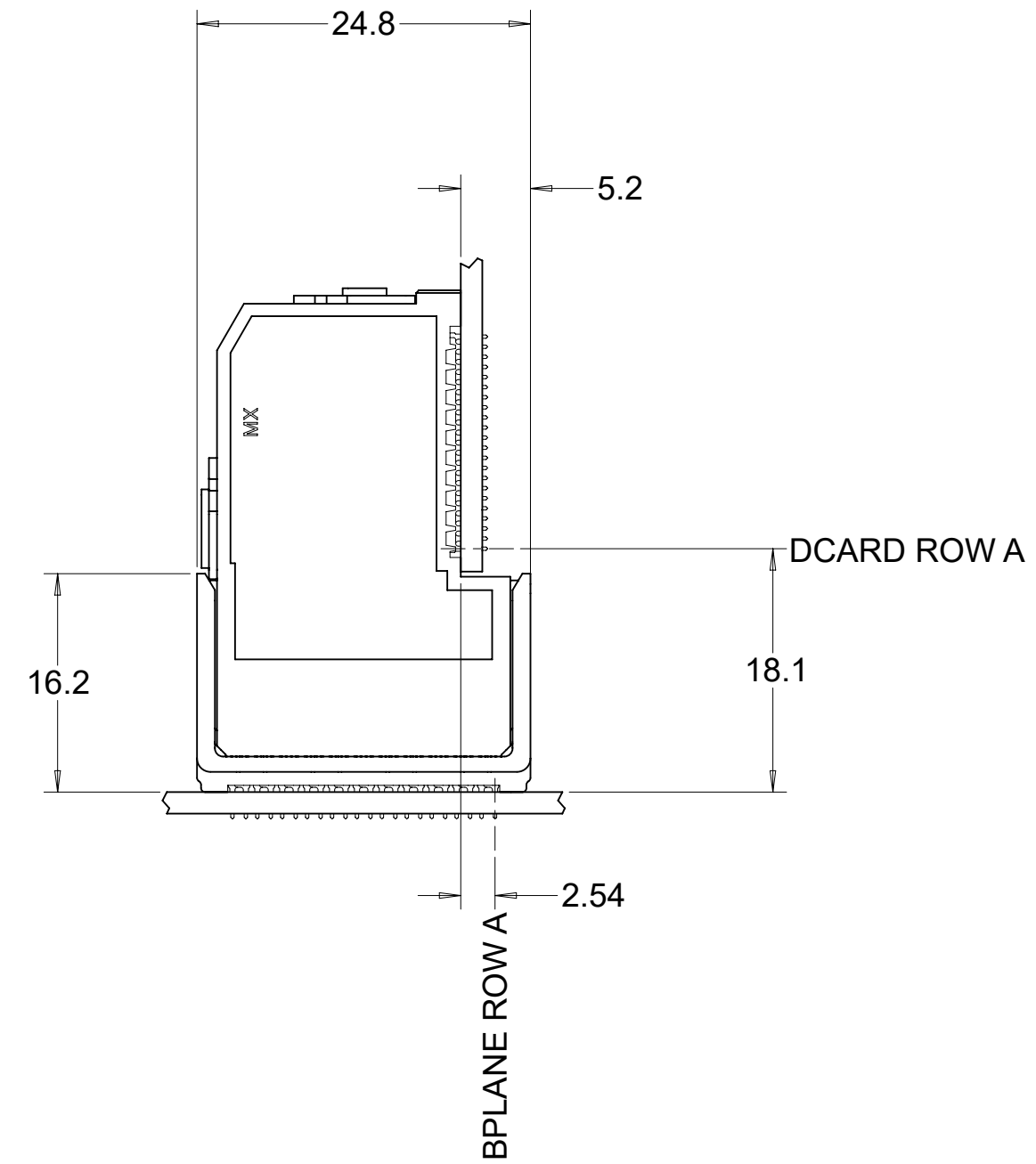
- MATERIALS: HOUSING - LIQUID CRYSTAL POLYMER (LCP) GLASS-FILLED, UL94V-0
 TERMINALS - HIGH PERFORMANCE COPPER ALLOY
- FINISH: 10 MICROINCH MINIMUM GOLD OR 30 MICROINCH MINIMUM GOLD IN CONTACT AREA. SELECTIVE MATTE TIN ON PCB TAILS, NICKEL OVERALL.
- REFER TO MOLEX PRODUCT SPECIFICATION PS-75710-999 FOR PERFORMANCE SPECIFICATIONS.
- FOR MIXED CONTACT MATING LENGTHS, CONSULT MOLEX FOR AVAILABILITY.
- THIS PART CONFORMS TO CLASS B REQUIREMENTS OF MOLEX COSMETIC SPEC PS-45499-002.
- PACKAGE PER: PK-70873-587.
- GUIDED PARTS TO BE SHIPPED WITH 2-56 UNC B SCREW P/N 73774-1000.
- FOR GROUNDED GUIDE PINS USE DIA 3.56+/- 0.08 (PTH), DIA 3.66(DRILL), AND DIA 6.5 (PAD).
- REFER TO PCB ROUTING GUIDE FOR ANTIPAD AND ROUTING RECOMMENDATIONS.

| | | | | | | | | | |
|---|--|--------|--|---|--|----------------|--|-----------------|--|
| THIS DRAWING CONTAINS INFORMATION THAT IS PROPRIETARY TO MOLEX ELECTRONIC TECHNOLOGIES, LLC AND SHOULD NOT BE USED WITHOUT WRITTEN PERMISSION | | | | | | | | | |
| DIMENSION UNITS | | SCALE | | CURRENT REV DESC: REMASTERED TO NX | | | | | |
| mm | | NTS | | | | | | | |
| GENERAL TOLERANCES (UNLESS SPECIFIED) | | | | | | | | | |
| ANGULAR TOL | | ± 0.5° | | EC NO: 671119 DRWN: YOGEEB 2021/06/21 CHK'D: MMALLIGEVALU 2022/01/28 APPR: CWANG25 2022/02/18 | | | | | |
| 4 PLACES | | ± | | INITIAL REVISION: DRWN: BPISZCZOR 2006/06/06 APPR: JLAURX 2006/06/12 | | | | | |
| 3 PLACES | | ± | | | | | | | |
| 2 PLACES | | ± 0.13 | | PRODUCT CUSTOMER DRAWING DOCUMENT NUMBER: SD-75705-002 DOC TYPE: PSD DOC PART: 001 REVISION: E1 | | | | | |
| 1 PLACE | | ± 0.25 | | | | | | | |
| 0 PLACES | | ± | | THIRD ANGLE PROJECTION | | DRAWING | | SERIES | |
| DRAFT WHERE APPLICABLE MUST REMAIN WITHIN DIMENSIONS | | | | C-SIZE | | 75705 | | MATERIAL NUMBER | |
| | | | | SEE TABLE | | GENERAL MARKET | | SHEET NUMBER | |
| | | | | | | | | 2 OF 4 | |



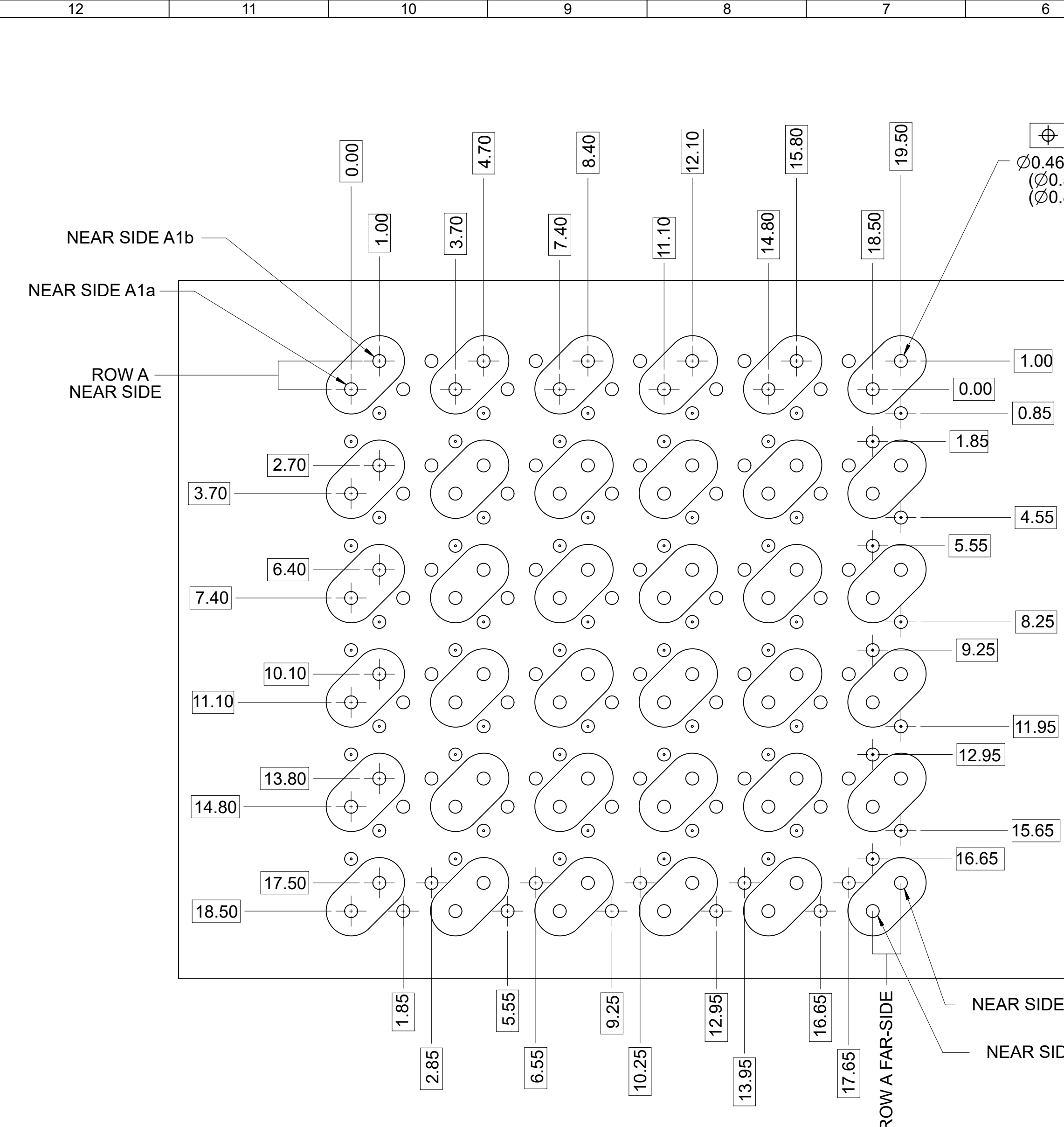
I-TRAC 11 ROW BOARD RELATIONSHIPS

SCALE 2:1



THIS DRAWING CONTAINS INFORMATION THAT IS PROPRIETARY TO MOLEX ELECTRONIC TECHNOLOGIES, LLC AND SHOULD NOT BE USED WITHOUT WRITTEN PERMISSION

| | | | | | | | | | | | | | | | |
|--|--|-------|--|------------------------------------|--|---------|--|--|--|-----------------|--|----------------|--|--------------|--|
| DIMENSION UNITS | | SCALE | | CURRENT REV DESC: REMASTERED TO NX | | | | | | | | | | | |
| mm | | NTS | | | | | | | | | | | | | |
| GENERAL TOLERANCES (UNLESS SPECIFIED) | | | | EC NO: 671119 | | | | I-TRAC BACKPLANE HEADER GUIDE LEFT ASSEMBLY SALES DRAWING | | | | | | | |
| ANGULAR TOL ± 0.5° | | | | DRWN: YOGEEB 2021/06/21 | | | | | | | | | | | |
| 4 PLACES ± | | | | CHK'D: MMALLIGEVALU 2022/01/28 | | | | PRODUCT CUSTOMER DRAWING | | | | | | | |
| 3 PLACES ± | | | | APPR: CWANG25 2022/02/18 | | | | | | | | | | | |
| 2 PLACES ± 0.13 | | | | INITIAL REVISION: | | | | DOCUMENT NUMBER SD-75705-002 | | | | | | | |
| 1 PLACE ± 0.25 | | | | DRWN: BPISZCZOR 2006/06/06 | | | | | | | | | | | |
| 0 PLACES ± | | | | APPR: JLAURX 2006/06/12 | | | | DOC TYPE | | DOC PART | | REVISION | | | |
| DRAFT WHERE APPLICABLE MUST REMAIN WITHIN DIMENSIONS | | | | THIRD ANGLE PROJECTION | | DRAWING | | SERIES | | MATERIAL NUMBER | | CUSTOMER | | SHEET NUMBER | |
| | | | | | | C-SIZE | | 75705 | | SEE TABLE | | GENERAL MARKET | | 3 OF 4 | |
| | | | | | | | | | | | | | | | |



ORTHO PIN MAPPING

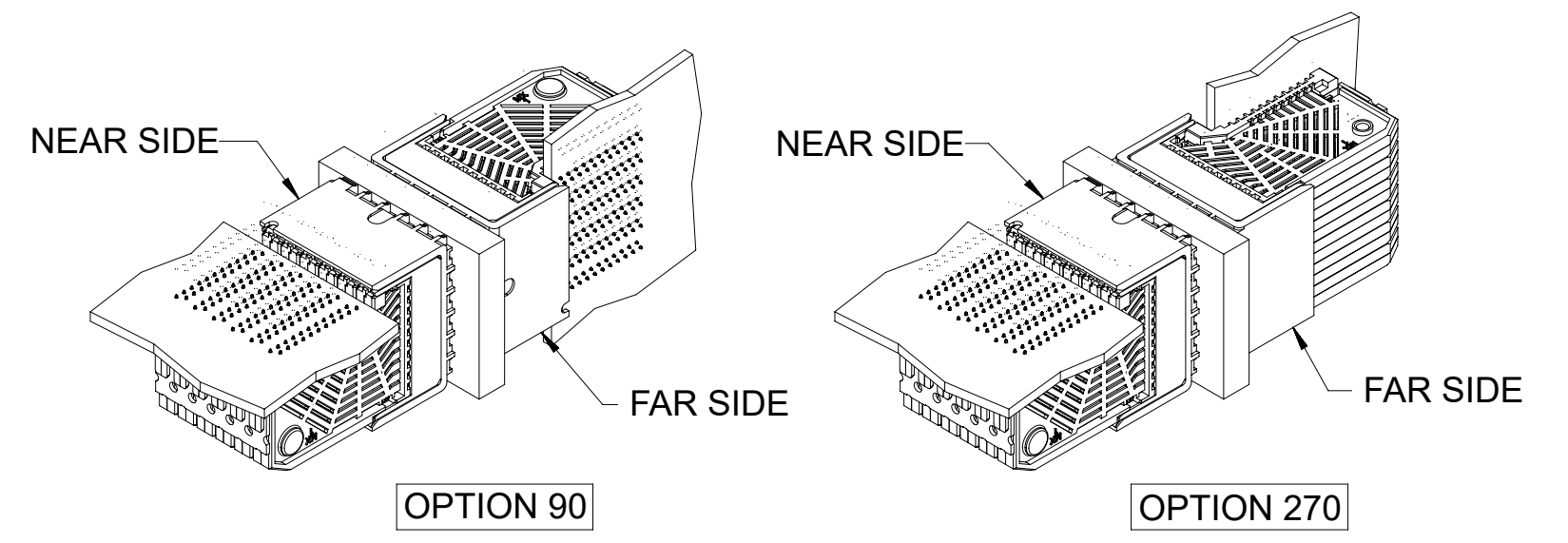
OPTION 90 (NEAR SIDE - FAR SIDE)

| | | | | | |
|---------|---------|---------|---------|---------|---------|
| A1b-L6b | A2b-J6b | A3b-G6b | A4b-E6b | A5b-C6b | A6b-A6b |
| A1a-L6a | A2a-J6a | A3a-G6a | A4a-E6a | A5a-C6a | A6a-A6a |
| C1b-L5b | C2b-J5b | C3b-G5b | C4b-E5b | C5b-C5b | C6b-A5b |
| C1a-L5a | C2a-J5a | C3a-G5a | C4a-E5a | C5a-C5a | C6a-A5a |
| E1b-L4b | E2b-J4b | E3b-G4b | E4b-E4b | E5b-C4b | E6b-A4b |
| E1a-L4a | E2a-J4a | E3a-G4a | E4a-E4a | E5a-C4a | E6a-A4a |
| G1b-L3b | G2b-J3b | G3b-G3b | G4b-E3b | G5b-C3b | G6b-A3b |
| G1a-L3a | G2a-J3a | G3a-G3a | G4a-E3a | G5a-C3a | G6a-A3a |
| J1b-L2b | J2b-J2b | J3b-G2b | J4b-E2b | J5b-C2b | J6b-A2b |
| J1a-L2a | J2a-J2a | J3a-G2a | J4a-E2a | J5a-C2a | J6a-A2a |
| L1b-L1b | L2b-J1b | L3b-G1b | L4b-E1b | L5b-C1b | L6b-A1b |
| L1a-L1a | L2a-J1a | L3a-G1a | L4a-E1a | L5a-C1a | L6a-A1a |

ORTHO PIN MAPPING

OPTION 270 (NEAR SIDE - FAR SIDE)

| | | | | | |
|---------|---------|---------|---------|---------|---------|
| A1b-A1a | A2b-C1a | A3b-E1a | A4b-G1a | A5b-J1a | A6b-L1a |
| A1a-A1b | A2a-C1b | A3a-E1b | A4a-G1b | A5a-J1b | A6a-L1b |
| C1b-A2a | C2b-C2a | C3b-E2a | C4b-G2a | C5b-J2a | C6b-L2a |
| C1a-A2b | C2a-C2b | C3a-E2b | C4a-G2b | C5a-J2b | C6a-L2b |
| E1b-A3a | E2b-C3a | E3b-E3a | E4b-G3a | E5b-J3a | E6b-L3a |
| E1a-A3b | E2a-C3b | E3a-E3b | E4a-G3b | E5a-J3b | E6a-L3b |
| G1b-A4a | G2b-C4a | G3b-E4a | G4b-G4a | G5b-J4a | G6b-L4a |
| G1a-A4b | G2a-C4b | G3a-E4b | G4a-G4b | G5a-J4b | G6a-L4b |
| J1b-A5a | J2b-C5a | J3b-E5a | J4b-G5a | J5b-J5a | J6b-L5a |
| J1a-A5b | J2a-C5b | J3a-E5b | J4a-G5b | J5a-J5b | J6a-L5b |
| L1b-A6a | L2b-C6a | L3b-E6a | L4b-G6a | L5b-J6a | L6b-L6a |
| L1a-A6b | L2a-C6b | L3a-E6b | L4a-G6b | L5a-J6b | L6a-L6b |



- NOTES:
- SIGNAL PAIRS (SHARED VIAS)
 - NEAR SIDE GROUNDS
 - FAR SIDE GROUNDS

Orthogonal PCB Layout

THIS DRAWING CONTAINS INFORMATION THAT IS PROPRIETARY TO MOLEX ELECTRONIC TECHNOLOGIES, LLC AND SHOULD NOT BE USED WITHOUT WRITTEN PERMISSION

| | | | | | |
|---|--------|------------------------------------|--|-----------------|----------|
| DIMENSION UNITS | SCALE | CURRENT REV DESC: REMASTERED TO NX | molex | | |
| mm | NTS | | | | |
| GENERAL TOLERANCES (UNLESS SPECIFIED) | | | I-TRAC BACKPLANE HEADER GUIDE LEFT ASSEMBLY SALES DRAWING | | |
| ANGULAR TOL | ± 0.5° | EC NO: 671119 | PRODUCT CUSTOMER DRAWING | | |
| 4 PLACES | ± | DRWN: YOGEEB | 2021/06/21 | | |
| 3 PLACES | ± | CHK'D: MMALLIGEVALU | 2022/01/28 | | |
| 2 PLACES | ± 0.13 | APPR: CWANG25 | 2022/02/18 | | |
| 1 PLACE | ± 0.25 | INITIAL REVISION: | | DOCUMENT NUMBER | |
| 0 PLACES | ± | DRWN: BPISZCZOR | 2006/06/06 | SD-75705-002 | |
| DRAFT WHERE APPLICABLE MUST REMAIN WITHIN DIMENSIONS | | APPR: JLAURX | 2006/06/12 | DOC TYPE | DOC PART |
| THIRD ANGLE PROJECTION | | DRAWING | SERIES | CUSTOMER | REVISION |
| | | C-SIZE | 75705 | GENERAL MARKET | 001 E1 |
| | | MATERIAL NUMBER | CUSTOMER | SHEET NUMBER | |
| | | SEE TABLE | GENERAL MARKET | 4 OF 4 | |