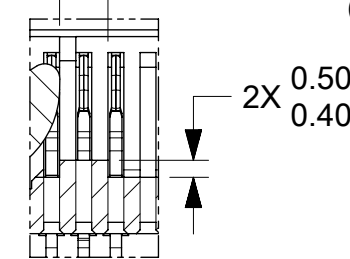


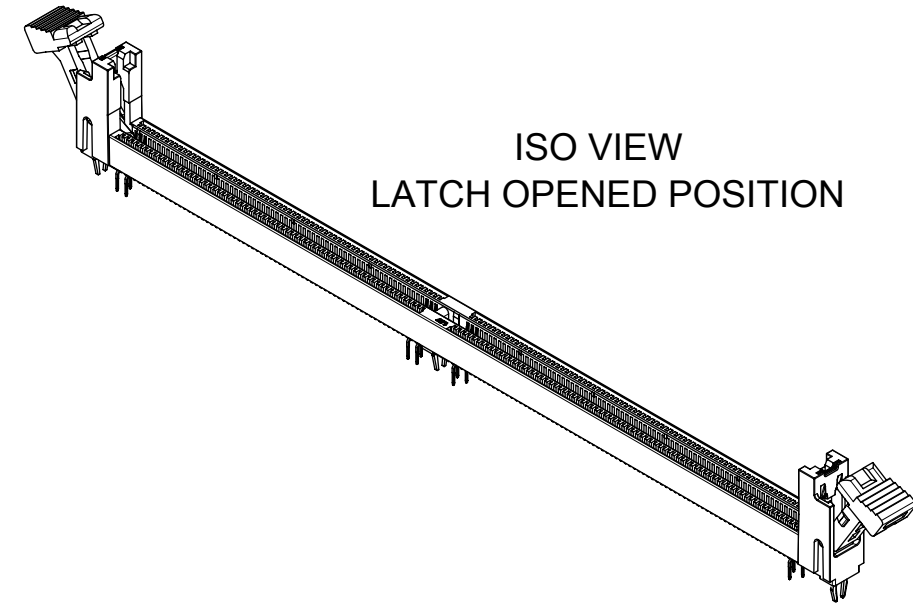
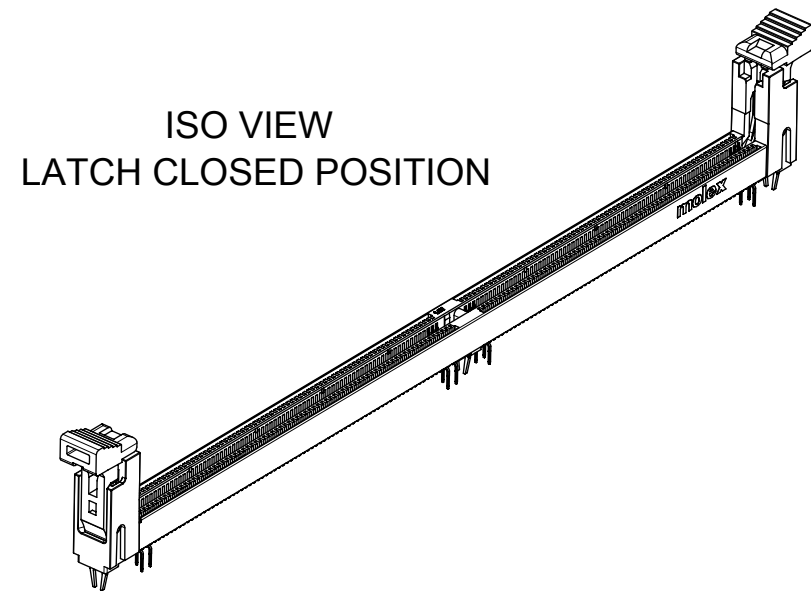
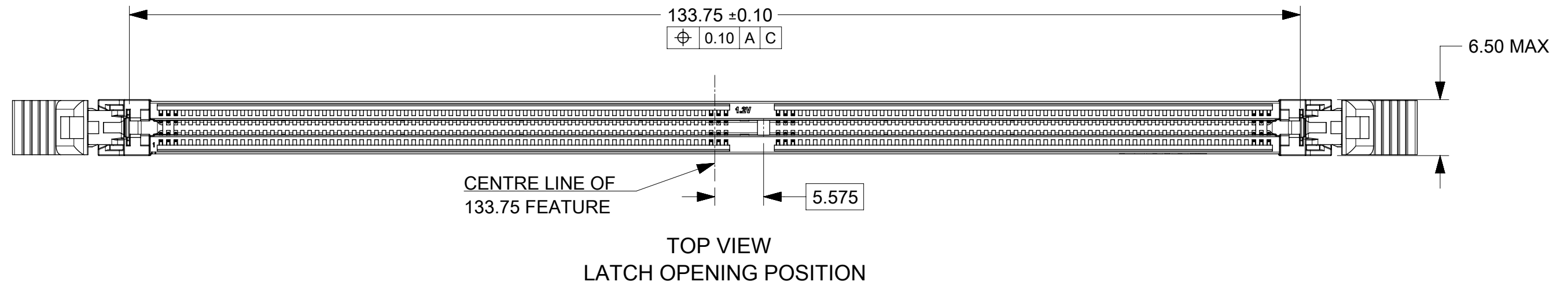
NOTES:

- MATERIAL : HOUSING - HALOGEN FREE HIGH TEMP POLYAMIDE, GLASS FILLED, UL94V-0.
COLOUR : SEE TABLE ON SHEET 5.
LATCH - HALOGEN FREE HIGH TEMP POLYAMIDE, GLASS FILLED, UL94V-0.
COLOUR : SEE TABLE ON SHEET 5.
TERMINAL : COPPER ALLOY.
FORKLOCK: COPPER ALLOY.
- FINISHES - SEE TABLE ON SHEET 5.
- PRODUCT SPECIFICATION : SEE TABLE ON SHEET 5.
- PACKAGING SPECIFICATION: PRODUCT SHALL BE PACKED IN TRAY, SEE SHEET 5
- CARD SLOT ACCEPTS 1.40 \pm 0.10MM MODULE THICKNESS (MEASURED OVER P.C. PADS).
- MOLEX LOGO, DATE & PART NO. INDICATED ON HOUSING.
- MODULE SEATING PLANE.
- KEEP OUT ZONE RESERVED FOR LATCH.
- KEEP OUT AREA IS THE AREA WHERE THE CONNECTOR (INCLUDES LATCHES IN OPENING POSITION) IS MOUNTED ON THE PCB.
- REFER TO AS-78726-001 FOR CONNECTOR APPLICATION GUIDELINE.
- REFER TO AS-78726-002 FOR PCB ROUTING RECOMMENDATIONS.

DETAIL 5 : BUMPER ZONE

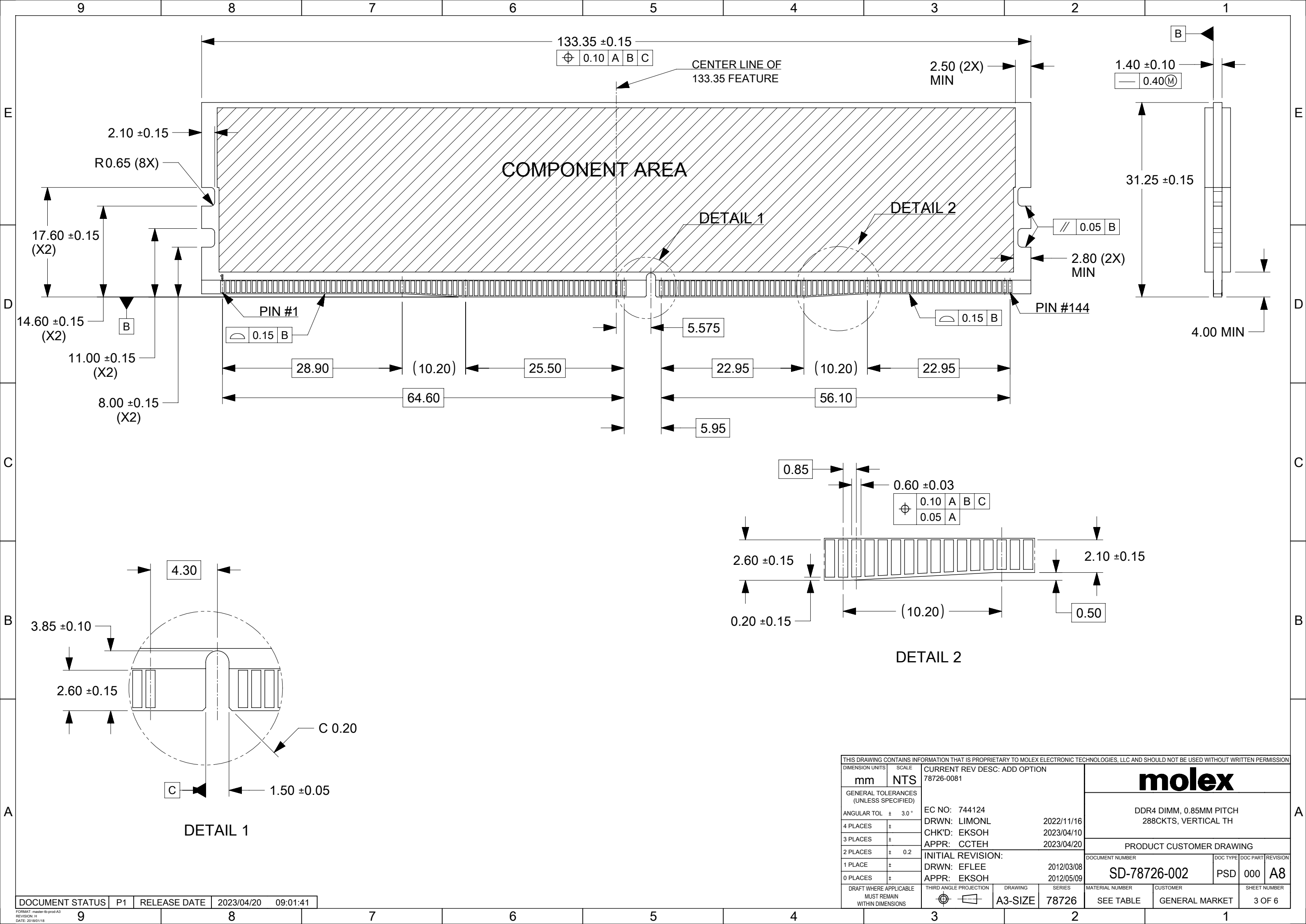


THIS DRAWING CONTAINS INFORMATION THAT IS PROPRIETARY TO MOLEX ELECTRONIC TECHNOLOGIES, LLC AND SHOULD NOT BE USED WITHOUT WRITTEN PERMISSION											
DIMENSION UNITS		SCALE		CURRENT REV DESC: ADD OPTION				molex		DDR4 DIMM, 0.85MM PITCH 288CKTS, VERTICAL TH	
mm		NTS		78726-0081							
GENERAL TOLERANCES (UNLESS SPECIFIED)										PRODUCT CUSTOMER DRAWING	
ANGULAR TOL		$\pm 3.0^\circ$		EC NO: 744124							
4 PLACES		\pm		DRWN: LIMONL		2022/11/16		DOCUMENT NUMBER		DOC TYPE DOC PART REVISION	
3 PLACES		\pm		CHK'D: EKSOH		2023/04/10					
2 PLACES		± 0.2		APPR: CCTEH		2023/04/20		SD-78726-002		PSD 000 A8	
1 PLACE		\pm		INITIAL REVISION:		DRWN: EFLEE		2012/03/08		MATERIAL NUMBER	
0 PLACES		\pm		APPR: EKSOH		2012/05/09		78726		CUSTOMER	
DRAFT WHERE APPLICABLE MUST REMAIN WITHIN DIMENSIONS		THIRD ANGLE PROJECTION		DRAWING		SERIES		SEE TABLE		GENERAL MARKET	
				A3-SIZE		78726				SHEET NUMBER	
										1 OF 6	



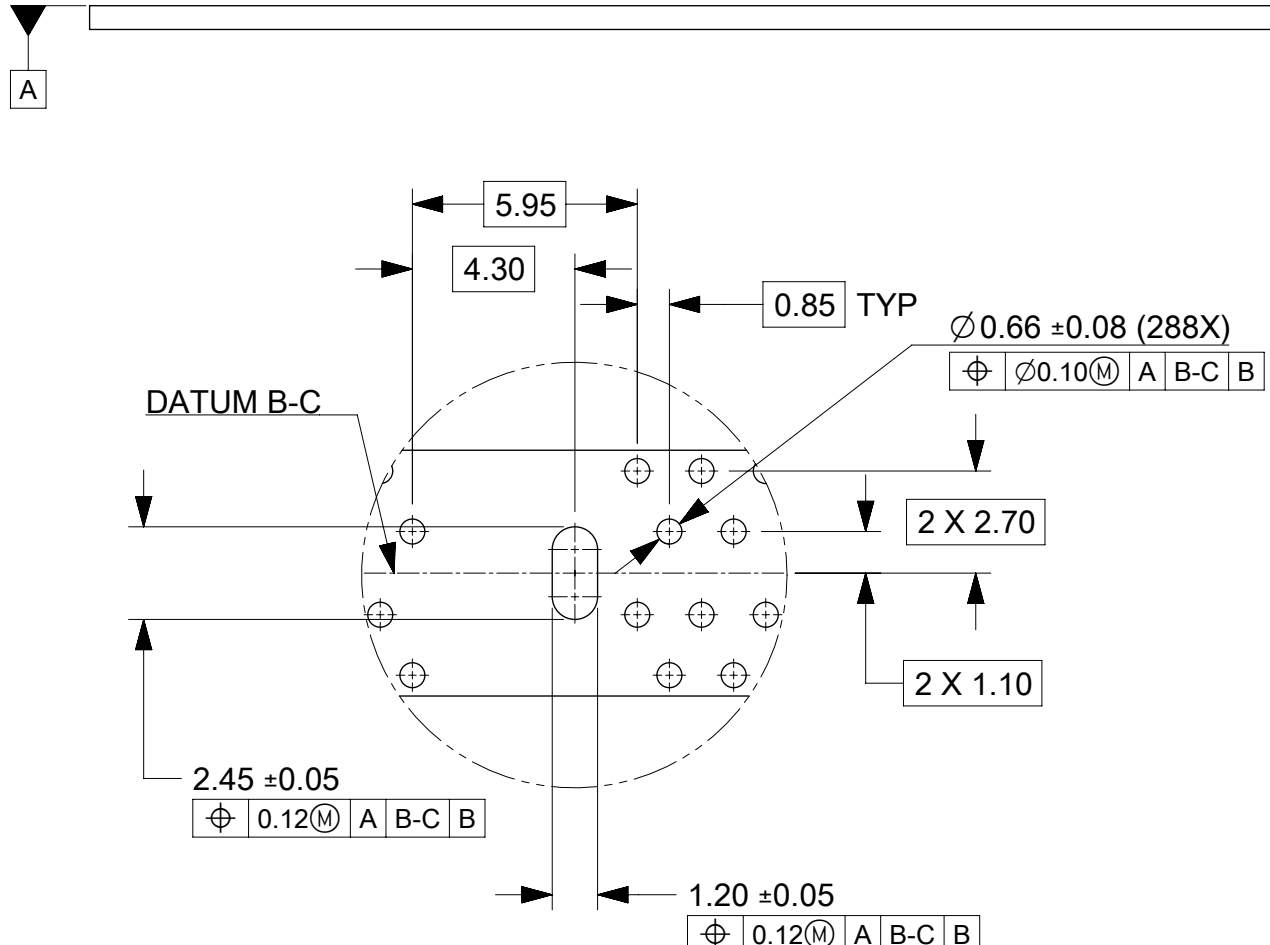
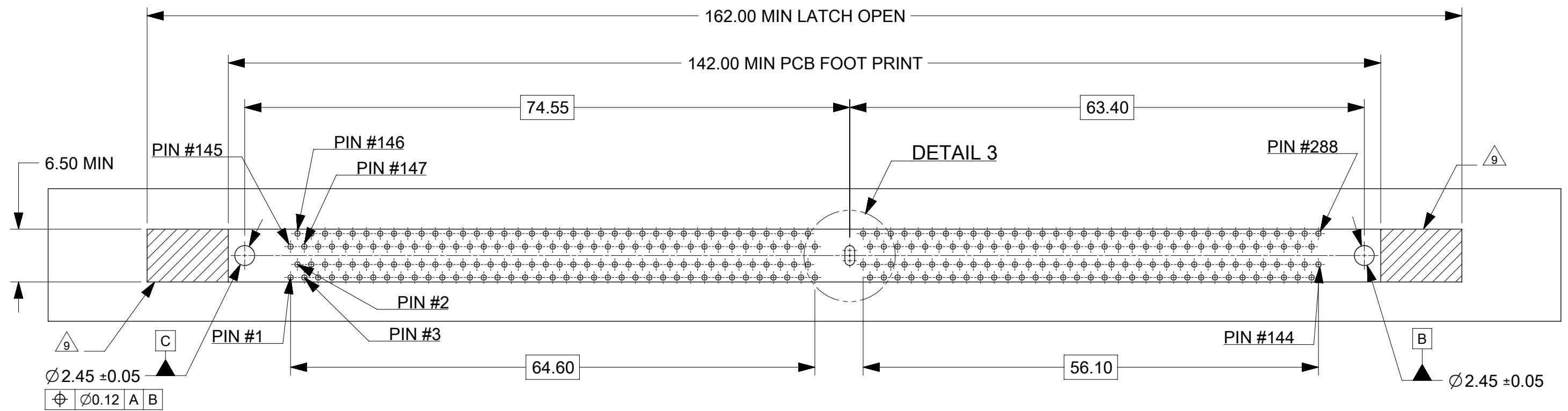
THIS DRAWING CONTAINS INFORMATION THAT IS PROPRIETARY TO MOLEX ELECTRONIC TECHNOLOGIES, LLC AND SHOULD NOT BE USED WITHOUT WRITTEN PERMISSION									
DIMENSION UNITS	SCALE	CURRENT REV DESC: ADD OPTION							
mm	NTS	78726-0081							
GENERAL TOLERANCES (UNLESS SPECIFIED)					EC NO: 744124 DRWN: LIMONL 2022/11/16 CHK'D: EKSOH 2023/04/10 APPR: CCTEH 2023/04/20				
ANGULAR TOL ± 3.0°					INITIAL REVISION: DRWN: EFLEE 2012/03/08 APPR: EKSOH 2012/05/09				
4 PLACES ±					DOCUMENT NUMBER				
3 PLACES ±					SD-78726-002				
2 PLACES ± 0.2					DOC TYPE		DOC PART		REVISION
1 PLACE ±					PSD		000		A8
0 PLACES ±					MATERIAL NUMBER		CUSTOMER		SHEET NUMBER
DRAFT WHERE APPLICABLE MUST REMAIN WITHIN DIMENSIONS					THIRD ANGLE PROJECTION		DRAWING	SERIES	MATERIAL NUMBER
							A3-SIZE	78726	SEE TABLE
					GENERAL MARKET				2 OF 6

DOCUMENT STATUS	P1	RELEASE DATE	2023/04/20	09:01:41
-----------------	----	--------------	------------	----------



THIS DRAWING CONTAINS INFORMATION THAT IS PROPRIETARY TO MOLEX ELECTRONIC TECHNOLOGIES, LLC AND SHOULD NOT BE USED WITHOUT WRITTEN PERMISSION											
DIMENSION UNITS		SCALE		CURRENT REV DESC: ADD OPTION						molex	
mm		NTS		78726-0081							
GENERAL TOLERANCES (UNLESS SPECIFIED)											
ANGULAR TOL ± 3.0°											
4 PLACES ±											
3 PLACES ±											
2 PLACES ± 0.2											
1 PLACE ±											
0 PLACES ±											
DRAFT WHERE APPLICABLE MUST REMAIN WITHIN DIMENSIONS											
THIRD ANGLE PROJECTION			DRAWING			SERIES			MATERIAL NUMBER		
A3-SIZE			78726			SEE TABLE			GENERAL MARKET		
EC NO: 744124				DRWN: LIMONL				2022/11/16			
CHK'D: EKSOH				APPR: CTEH				2023/04/10			
INITIAL REVISION:				DRWN: EFLEE				2012/03/08			
APPR: EKSOH				2012/05/09				2023/04/20			
DOCUMENT NUMBER				DOC TYPE				DOC PART			
SD-78726-002				PSD				000 A8			
SHEET NUMBER				3 OF 6							

DOCUMENT STATUS	P1	RELEASE DATE	2023/04/20	09:01:41
-----------------	----	--------------	------------	----------



THIS DRAWING CONTAINS INFORMATION THAT IS PROPRIETARY TO MOLEX ELECTRONIC TECHNOLOGIES, LLC AND SHOULD NOT BE USED WITHOUT WRITTEN PERMISSION									
DIMENSION UNITS	SCALE	CURRENT REV DESC: ADD OPTION							
mm	NTS	78726-0081							
GENERAL TOLERANCES (UNLESS SPECIFIED)					DDR4 DIMM, 0.85MM PITCH 288CKTS, VERTICAL TH				
ANGULAR TOL	±	3.0°	EC NO: 744124			PRODUCT CUSTOMER DRAWING			
4 PLACES	±		DRWN: LIMONL 2022/11/16			DOCUMENT NUMBER			
3 PLACES	±		CHK'D: EKSOH 2023/04/10			SD-78726-002			
2 PLACES	±	0.2	APPR: CTEH 2023/04/20			DOC TYPE DOC PART REVISION			
1 PLACE	±		INITIAL REVISION:			PSD 000 A8			
0 PLACES	±		DRWN: EFLEE 2012/03/08			MATERIAL NUMBER			
			APPR: EKSOH 2012/05/09			CUSTOMER			
DRAFT WHERE APPLICABLE MUST REMAIN WITHIN DIMENSIONS		THIRD ANGLE PROJECTION	DRAWING	SERIES	MATERIAL NUMBER	CUSTOMER		SHEET NUMBER	
			A3-SIZE	78726	SEE TABLE	GENERAL MARKET		4 OF 6	

DOCUMENT STATUS	P1	RELEASE DATE	2023/04/20	09:01:41
-----------------	----	--------------	------------	----------

CKT SIZE	ASSEMBLY PART NO.	HOUSING COLOR	LATCH COLOR	DIM "P"	RECOMMENDED PCB THICKNESS	PLATING OPTION		PRODUCT SPEC. NO.	PACKAGING SPEC. NO.
						TERMINAL	FORKLOCK		
288	78726-1051	BLACK	BLACK	2.10	1.57	0.76 MICROMETER (30 MICROINCH) MIN GOLD ON CONTACT	1 MICROMETER (40 MICROINCH) MIN TIN OVERALL (PRE-PLATED)	PS-78726-001	PK-78726-001
	78726-1039			2.40	1.57				
	78726-1002			2.67	1.57				
	78726-1003			3.18	2.36				
	78726-1026			3.50	3.00				
	78726-1052	BLACK	WHITE	2.10	1.57				
	78726-1040			2.40	1.57				
	78726-1004			2.67	1.57				
	78726-1005			3.18	2.36				
	78726-1027			3.50	3.00				
	78726-1053	WHITE	BLACK	2.10	1.57				
	78726-1041			2.40	1.57				
	78726-1006			2.67	1.57				
	78726-1007			3.18	2.36				
	78726-1028			3.50	3.00				
	78726-1054	WHITE	WHITE	2.10	1.57				
	78726-1042			2.40	1.57				
	78726-1008			2.67	1.57				
	78726-1009			3.18	2.36				
	78726-1029			3.50	3.00				
	78726-1055	BLUE	BLUE	2.10	1.57				
	78726-1043			2.40	1.57				
	78726-1010			2.67	1.57				
	78726-1011			3.18	2.36				
	78726-1030			3.50	3.00				
	78726-1056	BLUE	WHITE	2.10	1.57				
	78726-1044			2.40	1.57				
	78726-1022			2.67	1.57				
	78726-1023			3.18	2.36				
	78726-1031			3.50	3.00				
	78726-1063	YELLOW	WHITE	2.10	1.57				
	78726-1064			2.40	1.57				
78726-1065	2.67			1.57					
78726-1066	3.18			2.36					
78726-1067	3.50			3.00					
78726-0081	BLACK	BLACK	3.18	2.36					
78726-3005		WHITE	3.18	2.36					
78726-3052		2.10	1.57						
78726-4039		BLACK	2.40	1.57					
78726-4040		WHITE	2.40	1.57					

THIS DRAWING CONTAINS INFORMATION THAT IS PROPRIETARY TO MOLEX ELECTRONIC TECHNOLOGIES, LLC AND SHOULD NOT BE USED WITHOUT WRITTEN PERMISSION									
DIMENSION UNITS	SCALE	CURRENT REV DESC: ADD OPTION			molex				
mm	NTS	78726-0081							
GENERAL TOLERANCES (UNLESS SPECIFIED)		EC NO: 744124			DDR4 DIMM, 0.85MM PITCH 288CKTS, VERTICAL TH				
ANGULAR TOL	± 3.0°	DRWN: LIMONL 2022/11/16							
4 PLACES	±	CHK'D: EKSOH 2023/04/10							
3 PLACES	±	APPR: CTEH 2023/04/20							
2 PLACES	± 0.2	INITIAL REVISION:			PRODUCT CUSTOMER DRAWING				
1 PLACE	±	DRWN: EFLEE 2012/03/08			DOCUMENT NUMBER		DOC TYPE	DOC PART	REVISION
0 PLACES	±	APPR: EKSOH 2012/05/09			SD-78726-002		PSD	000	A8
DRAFT WHERE APPLICABLE MUST REMAIN WITHIN DIMENSIONS		THIRD ANGLE PROJECTION	DRAWING	SERIES	MATERIAL NUMBER	CUSTOMER		SHEET NUMBER	
			A3-SIZE	78726	SEE TABLE	GENERAL MARKET		5 OF 6	

CKT SIZE	ASSEMBLY PART NO.	HOUSING COLOR	LATCH COLOR	DIM "P"	RECOMMENDED PCB THICKNESS	PLATING OPTION		PRODUCT SPEC. NO.	PACKAGING SPEC. NO.
						TERMINAL	FORKLOCK		
288	78726-1057	BLACK	BLACK	2.10	1.57	0.38 MICROMETER (15 MICROINCH) MIN GOLD ON CONTACT	1 MICROMETER (40 MICROINCH) MIN TIN OVERALL (PRE-PLATED)	PS-78726-002	PK-78726-001
	78726-1045			2.40	1.57				
	78726-1012			2.67	1.57				
	78726-1013			3.18	2.36				
	78726-1032			3.50	3.00				
	78726-1058	BLACK	WHITE	2.10	1.57				
	78726-1046			2.40	1.57				
	78726-1014			2.67	1.57				
	78726-1015			3.18	2.36				
	78726-1033			3.50	3.00				
	78726-1059	WHITE	BLACK	2.10	1.57				
	78726-1047			2.40	1.57				
	78726-1016			2.67	1.57				
	78726-1017			3.18	2.36				
	78726-1034	WHITE	WHITE	3.50	3.00				
	78726-1060			2.10	1.57				
	78726-1048			2.40	1.57				
	78726-1018			2.67	1.57				
	78726-1019			3.18	2.36				
	78726-1035	BLUE	BLUE	3.50	3.00				
	78726-1061			2.10	1.57				
	78726-1049			2.40	1.57				
	78726-1020			2.67	1.57				
	78726-1021			3.18	2.36				
	78726-1036	BLUE	WHITE	3.50	3.00				
	78726-1062			2.10	1.57				
	78726-1050			2.40	1.57				
	78726-1024			2.67	1.57				
	78726-1025			3.18	2.36				
	78726-1037	YELLOW	WHITE	3.50	3.00				
	78726-1068			2.10	1.57				
	78726-1069			2.40	1.57				
	78726-1070			2.67	1.57				
	78726-1071			3.18	2.36				
	78726-1072	BLACK	BLACK	3.50	3.00				
	78726-3012			2.10	1.57				
78726-3032	2.40			1.57					
78726-3020	2.67			1.57					
78726-3036	3.18			2.36					
	78726-3020	BLUE	BLUE	2.67	1.57	1.27 MICROMETER (50 MICROINCH) MIN NICKEL UNDERPLATE			787260003
	78726-3036			3.50	3.00				

THIS DRAWING CONTAINS INFORMATION THAT IS PROPRIETARY TO MOLEX ELECTRONIC TECHNOLOGIES, LLC AND SHOULD NOT BE USED WITHOUT WRITTEN PERMISSION									
DIMENSION UNITS	SCALE	CURRENT REV DESC: ADD OPTION			molex				
mm	NTS	78726-0081							
GENERAL TOLERANCES (UNLESS SPECIFIED)		EC NO: 744124			DDR4 DIMM, 0.85MM PITCH 288CKTS, VERTICAL TH				
ANGULAR TOL	± 3.0°	DRWN: LIMONL 2022/11/16							
4 PLACES	±	CHK'D: EKSOH 2023/04/10							
3 PLACES	±	APPR: CTEH 2023/04/20							
2 PLACES	± 0.2	INITIAL REVISION:			PRODUCT CUSTOMER DRAWING				
1 PLACE	±	DRWN: EFLEE 2012/03/08			DOCUMENT NUMBER		DOC TYPE	DOC PART	REVISION
0 PLACES	±	APPR: EKSOH 2012/05/09			SD-78726-002		PSD	000	A8
DRAFT WHERE APPLICABLE MUST REMAIN WITHIN DIMENSIONS		THIRD ANGLE PROJECTION	DRAWING	SERIES	MATERIAL NUMBER	CUSTOMER		SHEET NUMBER	
			A3-SIZE	78726	SEE TABLE	GENERAL MARKET		6 OF 6	