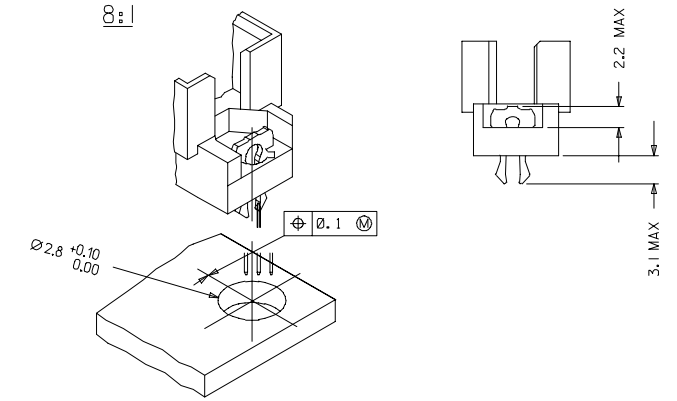
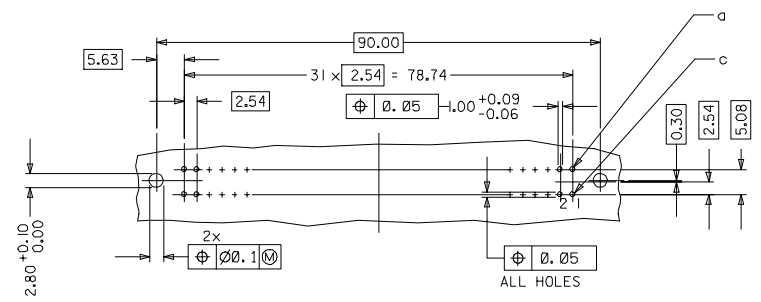


WITH MOUNTING CLIPS



- NOTES:
- 1) MATERIALS: THERMOPLASTIC POLYESTER, GLASS FILLED, UL94-V0
 COLOUR: PEBBLE GREY RAL 7032
 TERMINAL - PHOSPHOR BRONZE
 MOUNTING CLIP: STEEL
 - 2) FINISH: TERMINAL:-
 CONTACT AREA :
 PERFORMANCE LEVEL 2: SELECTIVE GOLD (Au), THICKNESS = 0.8 MICROMETER
 OVER NICKEL, THICKNESS = 1.25 MICROMETER MIN
 PRESS-IN AREA :
 Au FLASH
 OVER NICKEL, THICKNESS = 1.25 MICROMETER MIN OVERALL
 WIRE WRAP AREA :
 PERFORMANCE LEVEL 2: SELECTIVE GOLD (Au), THICKNESS = 0.8 MICROMETER
 OVER NICKEL, THICKNESS = 1.25 MICROMETER MIN
 - 3) MOUNTING CLIP:-
 TIN (Sn), THICKNESS = 5-10 MICROMETER,
 OVER NICKEL (Ni), THICKNESS = 2.5 MICROMETER
 - 4) FOR NON MOUNTING CLIP OPTION, CONNECTOR TO BE SECURED WITH
 RIVETS: 2 TUBULAR RIVETS 2.5 x 0.3 ... DIN 7340
 SCREWS: 2 CHEESEHEAD SCREWS M2.5 x ... DIN 84 AND 2 HEXAGONAL NUTS M2.5 DIN 934
 - 5) MATERIAL NUMBER, BATCH CODE, UL AND CSA MARKING
 TO BE PRINTED ON THE CONNECTOR
 - 6) CUT FACE OF TIP WITHOUT PLATING PERMITTED
 - 7) PRODUCT SPECIFICATION PS : 36515-001

RECOMMENDED PCB LAYOUT
COMPONENT SIDE

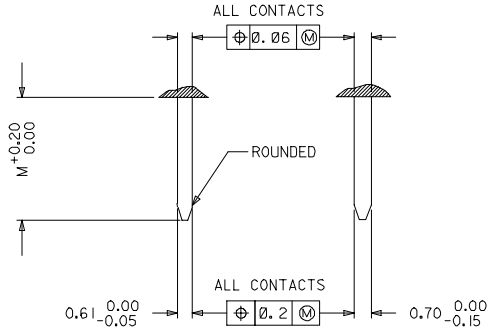


EC NO. 12005-0365 DRAWN BY: SIVAKUMAR CHECKED BY: SUDHIR APPROVED BY: APPARASAI	QUALITY SYMBOLS ▽=0 ▽=0	GENERAL TOLERANCES (UNLESS SPECIFIED)		DIMENSION STYLE MM ONLY		SCALE 2:1	DESIGN UNITS METRIC	THIRD ANGLE PROJECTION	
		mm	INCH	DRAWN BY SIVAKUMAR	DATE 2005/01/06	TITLE ASSY. DIN 41612. R MALE 64POS. A+C LOADED, PRESS-IN, WIRE WRAP			
A	DESCRIPTION	DRAFT WHERE APPLICABLE MUST REMAIN WITHIN DIMENSIONS		MATERIAL NO. 85013-2282		DOCUMENT NO. SD-85013-2282		SHEET NO. 1 OF 2	
		SIZE A1		THIS DRAWING CONTAINS INFORMATION THAT IS PROPRIETARY TO MOLEX INCORPORATED AND SHOULD NOT BE USED WITHOUT WRITTEN PERMISSION					

20 19 18 17 16 15 14 13 12 11 10 9 8 7 6 5 4 3 2 1

MATERIAL No.	MOLEX ENG No.	PERF LEVEL	FINISH		CONTACT SEQUENCE/ROW	DIM "L" MM	MOUNTING CLIP	FMLB
			CONTACT AREA	TERMINATION AREA				
85013-2282	-	2	Au + Ni	Au + Ni	1,2,3...32 a+c	13.25	NO	NO

DETAILY DETAILX



PRE MATING CONTACTS	5.4
NORMAL CONTACTS	4.8
	M

IEC NO. 12005-0365 DRWNSIYAKUMAR 2005/01/10 CHKDSSUDHIR 2005/01/10 APPR:KRAASAJI 2005/01/10	QUALITY SYMBOLS ▽=0 ▽=0	GENERAL TOLERANCES (UNLESS SPECIFIED)		DIMENSION STYLE MM ONLY	SCALE 2:1	DESIGN UNITS METRIC	THIRD ANGLE PROJECTION
		4 PLACES ± --- ± --- 3 PLACES ± 0.05 ± --- 2 PLACES ± 0.1 ± --- 1 PLACE ± 0.15 ± --- ANGULAR ± 2 °	mm INCH	DRAWN BY SIVAKUMAR 2005/01/06	DATE	TITLE ASSY. DIN 41612, R MALE 64POS, A+C LOADED, PRESS-IN, WIRE WRAP	
DRAFT WHERE APPLICABLE MUST REMAIN WITHIN DIMENSIONS	SIZE A 1	APPROVED BY SSUDHIR 2005/01/06	DATE	MATERIAL NO. 85013-2282	DOCUMENT NO. SD-85013-2282	MOLEX INCORPORATED	
				THIS DRAWING CONTAINS INFORMATION THAT IS PROPRIETARY TO MOLEX INCORPORATED AND SHOULD NOT BE USED WITHOUT WRITTEN PERMISSION			
				SHEET NO. 2 OF 2			

19 18 17 16 15 14 13 12 11 10 9 8 7 6 5 4 3 2 1