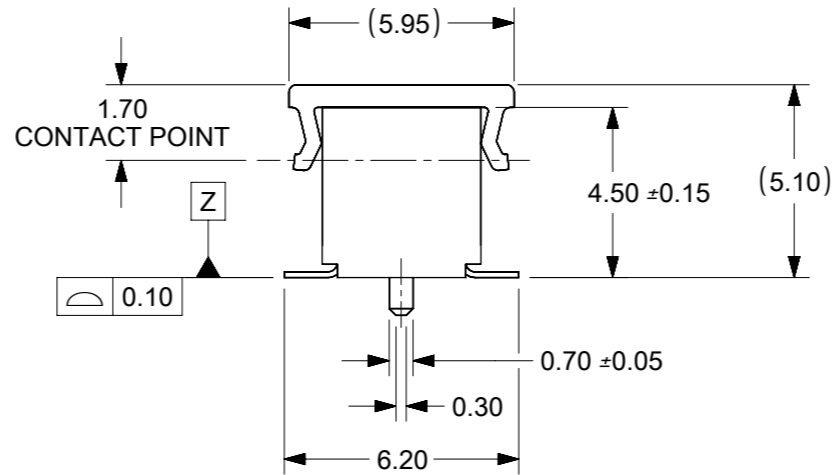
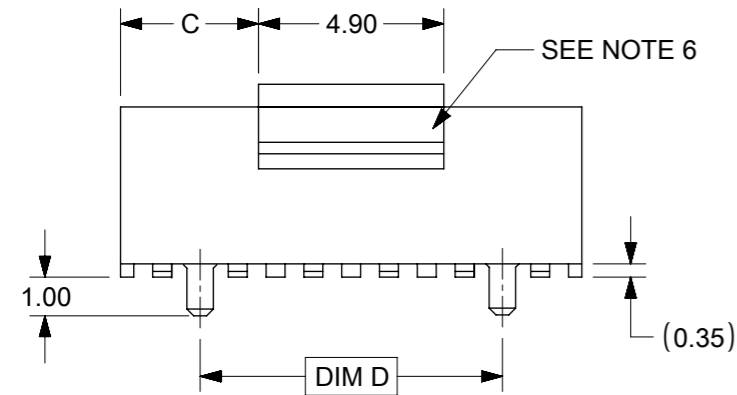


RECOMENDED PCB LAYOUT

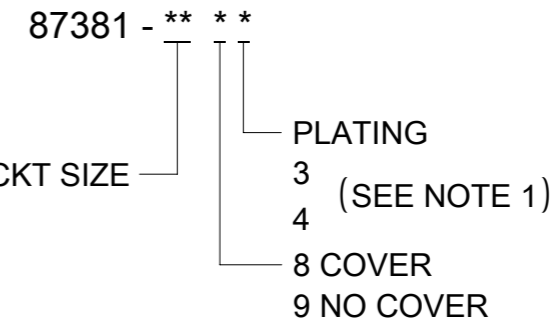


PART NUMBER W/CAP IN TUBE	CKT. SIZE	DIM A	DIM B	DIM C	DIM D
87381-08**	8	6.00	8.00	1.55	4.00
87381-10**	10	8.00	10.00	2.55	6.00
87381-12**	12	10.00	12.00	3.55	8.00
87381-14**	14	12.00	14.00	4.55	10.00
87381-16**	16	14.00	16.00	5.55	12.00
87381-18**	18	16.00	18.00	6.55	14.00
87381-20**	20	18.00	20.00	7.55	16.00
87381-22**	22	20.00	22.00	8.55	18.00
87381-24**	24	22.00	24.00	9.55	20.00
87381-26**	26	24.00	26.00	10.55	22.00
87381-28**	28	26.00	28.00	11.55	24.00
87381-30**	30	28.00	30.00	12.55	26.00
87381-32**	32	30.00	32.00	13.55	28.00
87381-34**	34	32.00	34.00	14.55	30.00
87381-36**	36	34.00	36.00	15.55	32.00
87381-38**	38	36.00	38.00	16.55	34.00
87381-40**	40	38.00	40.00	17.55	36.00
87381-42**	42	40.00	42.00	18.55	38.00
87381-44**	44	42.00	44.00	19.55	40.00
87381-46**	46	44.00	46.00	20.55	42.00
87381-48**	48	46.00	48.00	21.55	44.00
87381-50**	50	48.00	50.00	22.55	46.00

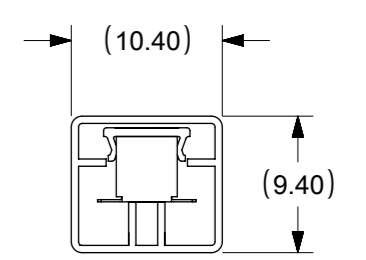
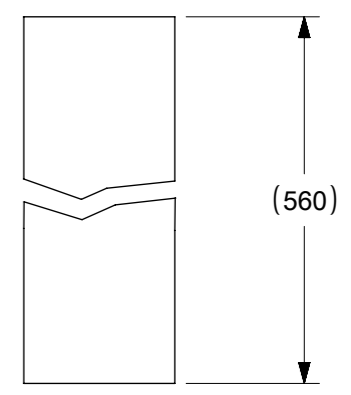
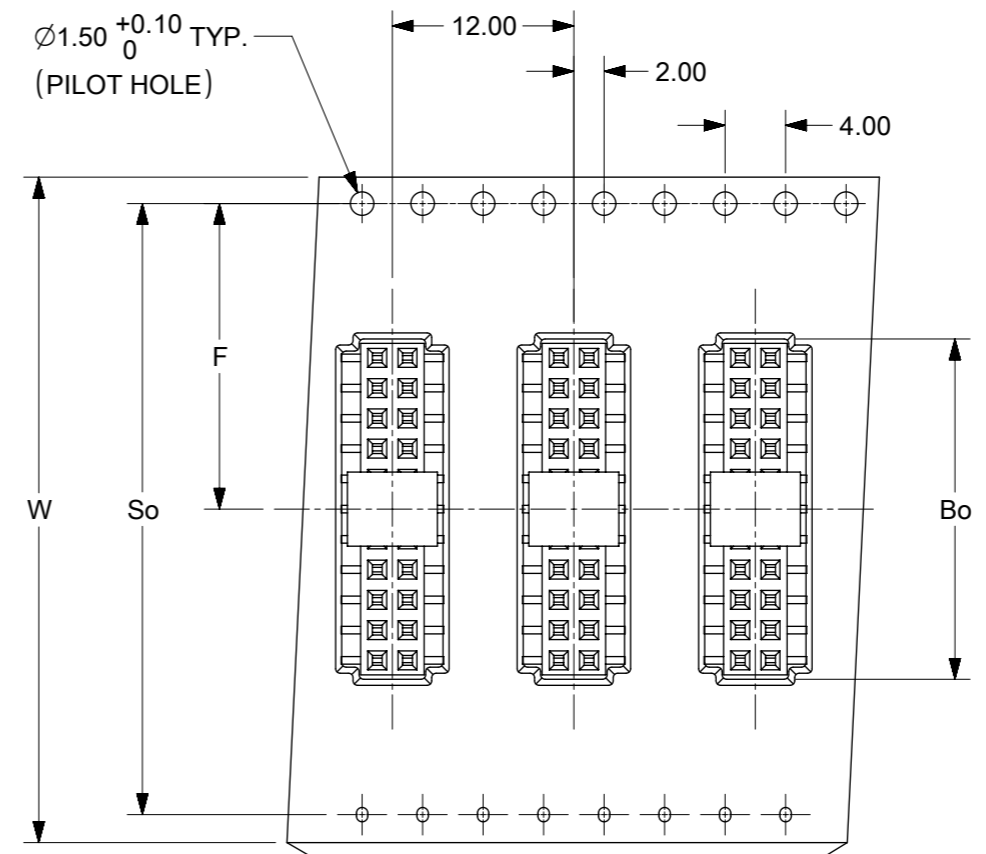
NOTES:

- PLATING FINISH:
 3 - 0.76µm MIN. GOLD IN CONTACT AREA, 1.27µm MIN. TIN IN SOLDER TAIL AREA BOTH OVER 1.27µm MIN NICKEL OVEALL
 4 - 0.38µm MIN. GOLD IN CONTACT AREA 1.27µm MIN. TIN IN SOLDER TAIL AREA BOTH OVER 1.27µm MIN NICKEL OVEALL
- 12 CKT SIZE SHOWN FOR ILLUSTRATION ONLY. SEE CHART FOR ALL AVAILABLE PART SIZES.
- PRODUCT SPECIFICATION PS-87380 APPLIES.
- COPLANARITY OF SOLDER TAILS ARE TO BE MEASURED BY RESTING THE PART ON A FLAT GAUGE SURFACE.
- TUBE PACKAGING STANDARD.
- COVER IS OPTIONAL, SEE LEGEND.
- PARTS SHALL BE PACKED IN MOISTURE BARRIER BAG.

PART NUMBER LEGEND

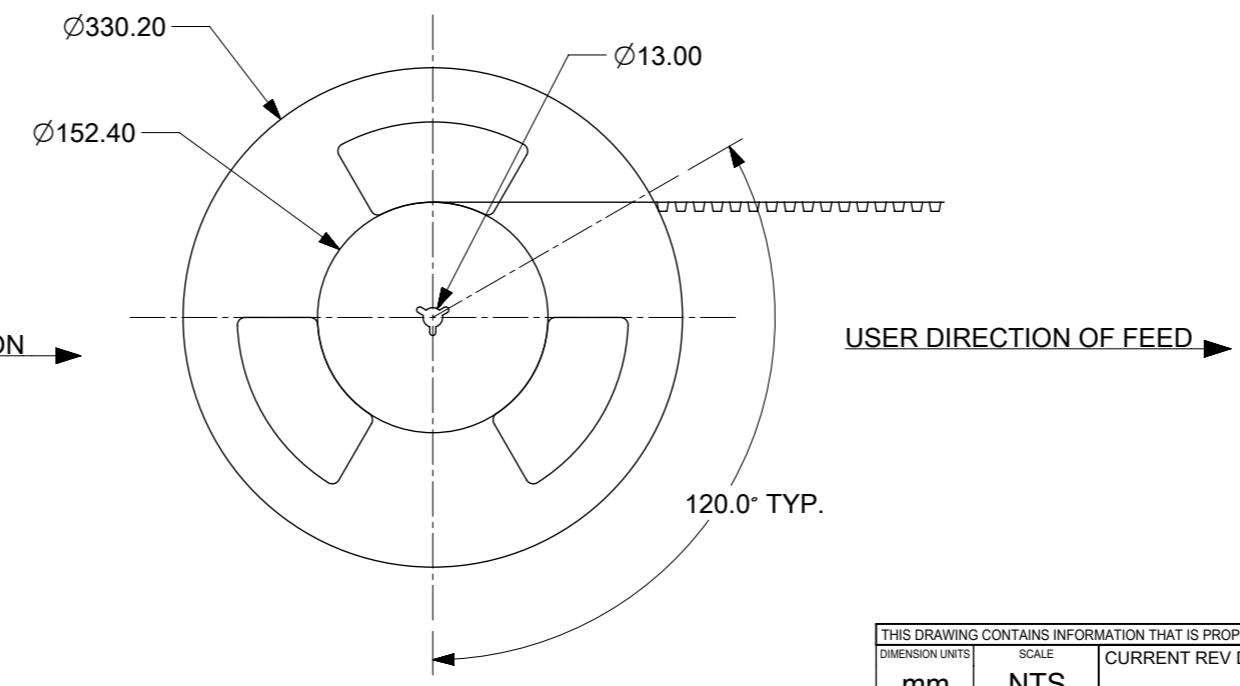
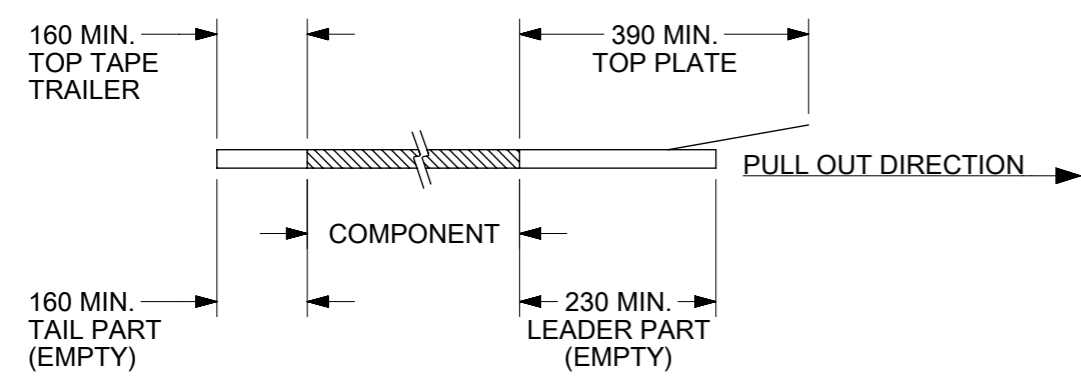


THIS DRAWING CONTAINS INFORMATION THAT IS PROPRIETARY TO MOLEX ELECTRONIC TECHNOLOGIES, LLC AND SHOULD NOT BE USED WITHOUT WRITTEN PERMISSION		CURRENT REV DESC: ADDED BTB DIST.		molex	
GENERAL TOLERANCES (UNLESS SPECIFIED)		EC NO: 619055			
4 PLACES ±		DRWN: HK02 2019/05/14		2MM RECEPTACLE 4.50MM HT.	
3 PLACES ±		CHK'D: NMANE02 2019/07/09		PRODUCT CUSTOMER DRAWING	
2 PLACES ± 0.2		APPR: MRAMAKRISHNA 2019/07/09		DOCUMENT NUMBER	
1 PLACE ±		INITIAL REVISION:		SD-87381-XX8X	
0 PLACES ±		DRWN: RSHAN 1998/03/10		DOC TYPE	
ANGULAR TOL ± 3.0°		APPR: KHLIM 2015/01/22		PSD	
DRAFT WHERE APPLICABLE MUST REMAIN WITHIN DIMENSIONS		THIRD ANGLE PROJECTION		DOC PART	
		DRAWING		001	
		SERIES		E2	
		MATERIAL NUMBER		REVISION	
		A3-SIZE		1 OF 3	
		87381		GENERAL MARKET	
		SEE TABLE			

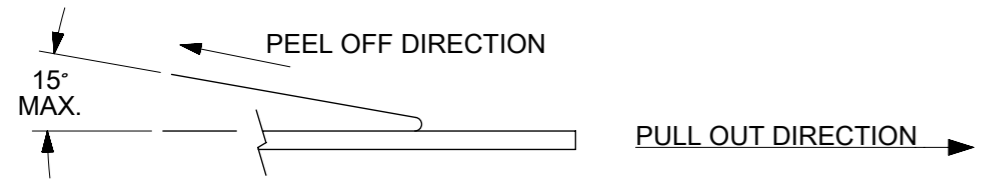


TUBE PACKAGING ORIENTATION
(SEE SHT 1 FOR PART NUMBER)

NOTES:
1. LEADER AND TRAILER TAPE



2. PEELING OFF FORCE OF THE TOP TAPE: 20-80gf.
(PEELING DIRECTION AS SHOWN IN FOLLOWING FIGURE)

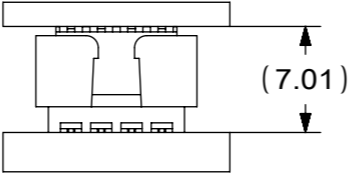
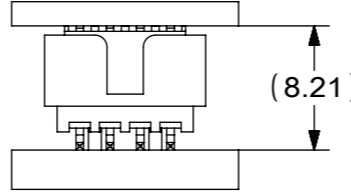


3. PACKAGING STANDARD IS AS PER EIA-481.
4. TAPE & REEL QUANTITY = 800PCS/REEL.

THIS DRAWING CONTAINS INFORMATION THAT IS PROPRIETARY TO MOLEX ELECTRONIC TECHNOLOGIES, LLC AND SHOULD NOT BE USED WITHOUT WRITTEN PERMISSION											
DIMENSION UNITS		SCALE		CURRENT REV DESC: ADDED BTB DIST.							
mm		NTS		molex MGRID 2MM RECEPTACLE 4.50MM HT.							
GENERAL TOLERANCES (UNLESS SPECIFIED)											
		MM	INCH	EC NO: 619055 DRWN: HK02 2019/05/14 CHK'D: NMANE02 2019/07/09 APPR: MRAMAKRISHNA 2019/07/09							
4 PLACES		±	±	INITIAL REVISION: DRWN: RSHAN 1998/03/10 APPR: KHLIM 2015/01/22							
3 PLACES		±	±	DOCUMENT NUMBER: SD-87381-XX8X DOC TYPE: PSD DOC PART: 001 REVISION: E2							
2 PLACES		±	0.2	MATERIAL NUMBER: SEE TABLE CUSTOMER: GENERAL MARKET SHEET NUMBER: 2 OF 3							
1 PLACE		±	±	DRAFT WHERE APPLICABLE MUST REMAIN WITHIN DIMENSIONS THIRD ANGLE PROJECTION DRAWING: A3-SIZE SERIES: 87381							
0 PLACES		±	±	ANGULAR TOL ± 3.0°							

PART NUMBER (W/CAP IN TUBE)	MOISTURE BARRIER BAG P/N FOR TUBE $\triangle 7$	PART NUMBER (W/CAP IN T&R)	MOISTURE BARRIER BAG P/N FOR T&R $\triangle 7$	CKT. SIZE	W	So	F	Bo
87381-2284	89990-0201	87381-8252	89990-0200	22	44.00	40.40	20.20	22.50
87381-3084		87381-8231		30	56.00	52.40	26.20	30.50

BOARD TO BOARD (BTB) DISTANCE

RECEPTACLE	MATES WITH(HEADER)	BTB DISTANCE	PICTORIAL VIEW
87381	87831	7.01	
	87832	8.21	

THIS DRAWING CONTAINS INFORMATION THAT IS PROPRIETARY TO MOLEX ELECTRONIC TECHNOLOGIES, LLC AND SHOULD NOT BE USED WITHOUT WRITTEN PERMISSION									
DIMENSION UNITS		SCALE		CURRENT REV DESC: ADDED BTB DIST.				molex	
mm		NTS							
GENERAL TOLERANCES (UNLESS SPECIFIED)				EC NO: 619055				MGRID	
				DRWN: HK02 2019/05/14				2MM RECEPTACLE 4.50MM HT.	
4 PLACES ±				CHK'D: NMANE02 2019/07/09				PRODUCT CUSTOMER DRAWING	
3 PLACES ±				APPR: MRAMAKRISHNA 2019/07/09					
2 PLACES ± 0.2				INITIAL REVISION:				DOCUMENT NUMBER	
1 PLACE ±				DRWN: RSHAN 1998/03/10				SD-87381-XX8X	
0 PLACES ±				APPR: KHLIM 2015/01/22				DOC TYPE	
ANGULAR TOL ± 3.0°				DRAFT WHERE APPLICABLE MUST REMAIN WITHIN DIMENSIONS				PSD	
				THIRD ANGLE PROJECTION		DRAWING		DOC PART	
						A3-SIZE		001	
				SERIES		MATERIAL NUMBER		REVISION	
				87381		SEE TABLE		E2	
				CUSTOMER		SHEET NUMBER			
				GENERAL MARKET		3 OF 3			

DOCUMENT STATUS	P1	RELEASE DATE	2019/07/09	06:47:07
-----------------	----	--------------	------------	----------