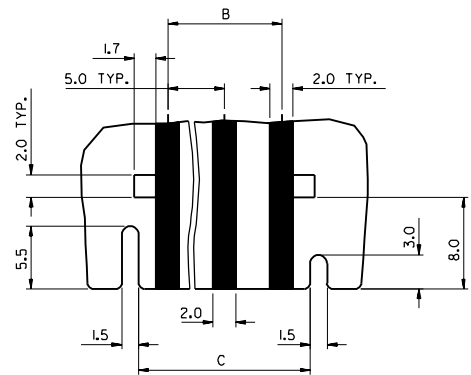


CCT SIZE	DIM A	DIM B	DIM C	CONNECTORS PER BOX
2	14,6	5	10,2	250
3	19,6	10	15,2	250
4	24,6	15	20,2	250
5	29,6	20	25,2	250
6	34,6	25	30,2	250
7	39,6	30	35,2	250
8	44,6	35	40,2	250
9	49,6	40	45,2	250
10	54,6	45	50,2	250
11	59,6	50	55,2	250
12	64,6	55	60,2	250



RECOMMENDED PCB LAYOUT
 DO NOT SCALE
 THICKNESS 1.50±0.14

- NOTES:
- MATERIAL: POLYAMIDE (PA66), UL 94V-2
 COLOUR: BEIGE.
 - SEE FOLLOWING SHEET FOR PART NUMBERS SHOWING THE VARIOUS CODING, POSITIONING AND LATCHING OPTIONS.

ORIGINAL ISSUE EC No. E80013 DRAWN: EFLAN 97/07/10 CHK: / / / APP: / / /	QUALITY SYMBOLS MAJOR CRITICAL C	GENERAL TOLERANCES: (UNLESS SPECIFIED)		SCALE 4 : 1	DESIGN UNITS <input checked="" type="checkbox"/> mm <input type="checkbox"/> INCH	DIMENSIONS: <input type="checkbox"/> mm <input type="checkbox"/> INCH <input checked="" type="checkbox"/> mm ONLY	SHT	REV			
		4 PLACES ±0. ±.	3 PLACES ±0. ±.	2 PLACES ±0.05 ±.	1 PLACE ±0.10 ±.	ANGULAR: ± 1/2°	DRAWN BY & DATE EFLAN 97/07/10		TITLE: MALE GUIDE FRAME RAST 5 6 AMPS		
REV A	DESCRIPTION	DRAFT WHERE APPLICABLE MUST REMAIN WITHIN DIMENSIONS		APPROVED BY & DATE MWILHITE 97/09/19		MATERIAL NO. S90874X1.DGN		DRAWING NO. SD-90874-001		SHEET NO. 1 OF 2	
		THIS DRAWING CONTAINS INFORMATION THAT IS PROPRIETARY TO MOLEX INCORPORATED AND SHOULD NOT BE USED WITHOUT WRITTEN PERMISSION.		SEE CHART		MOLEX MOLEX INCORPORATED		SIZE C			

MOLEX PART NO	CIRCUIT SIZE	COLOUR	POSITION KEYS	CODING KEYS	LATCH POSITION	CONFIRGURATION	REF
90874-0003	2	NATURAL	1b 2a	01c d20	1/2		K01

MOLEX PART NO	CIRCUIT SIZE	COLOUR	POSITION KEYS	CODING KEYS	LATCH POSITION	CONFIRGURATION	REF
90874-1254	4	NATURAL	1b	03c d40	1/2 3/4		K01

MOLEX PART NO	CIRCUIT SIZE	COLOUR	POSITION KEYS	CODING KEYS	LATCH POSITION	CONFIRGURATION	REF
90874-4252	8	NATURAL	4a 6b	03c d60	1/2 3/4 5/6 7/8		K30

PART NO. SEE CHART
DWG. NO. SD-90874-001

ORIGINAL ISSUE EC NO. E80013 DRW:EFOLAN 97/07/11 CHK: / / / APPR: / / / A	DESCRIPTION MAJOR = CRITICAL = C =	QUALITY SYMBOLS MAJOR = CRITICAL = C =	GENERAL TOLERANCES: (UNLESS SPECIFIED) mm INCH 4 PLACES ±0. ±. 3 PLACES ±0. ±. 2 PLACES ±0. ±. 1 PLACE ±0. ±. ANGULAR: ± 1/2 °	SCALE : DESIGN UNITS <input checked="" type="checkbox"/> mm <input type="checkbox"/> INCH	DRAWN BY & DATE EFOLAN 97/07/11 CHECKED BY & DATE PWHITE 97/09/19 APPROVED BY & DATE MWILHITE 97/09/19	DIMENSIONS: <input type="checkbox"/> mm <input type="checkbox"/> INCH <input checked="" type="checkbox"/> mm ONLY THIRD ANGLE PROJECTION SHT REV REVISE ON CAD ONLY	TITLE: MALE GUIDE FRAME RAST 5 6 AMPS MOLEX INCORPORATED	CAD FILENAME S90874X2.DGN	MATERIAL NO. SEE CHART	DRAWING NO. SD-90874-001	SHEET NO. 2 OF
	DRAFT WHERE APPLICABLE MUST REMAIN WITHIN DIMENSIONS			THIS DRAWING CONTAINS INFORMATION THAT IS PROPRIETARY TO MOLEX INCORPORATED AND SHOULD NOT BE USED WITHOUT WRITTEN PERMISSION.				SIZE B			