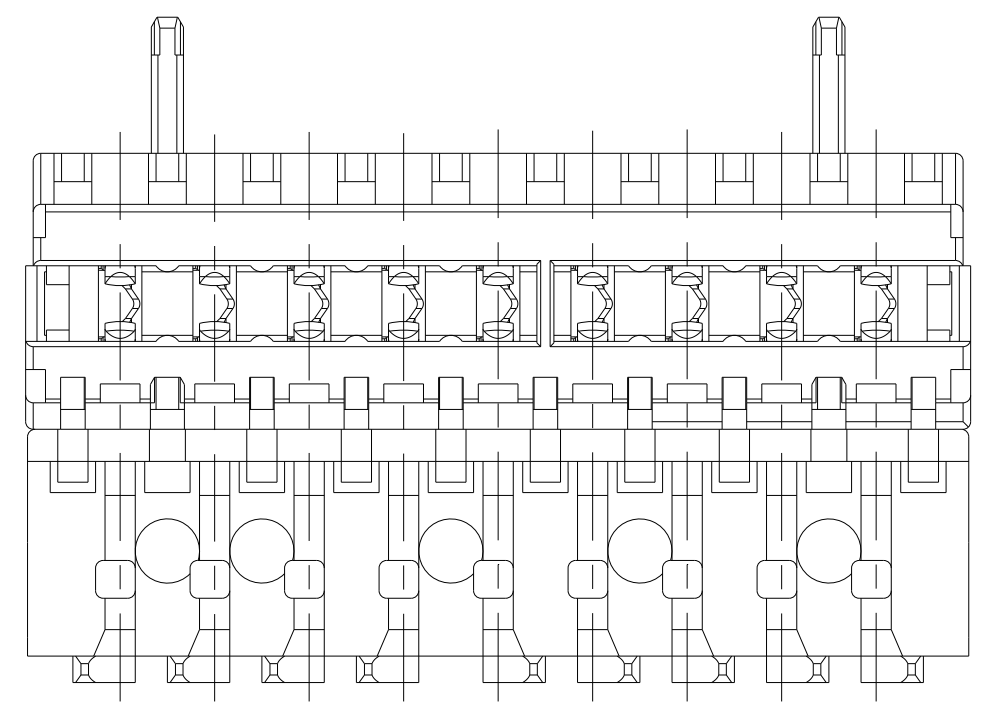
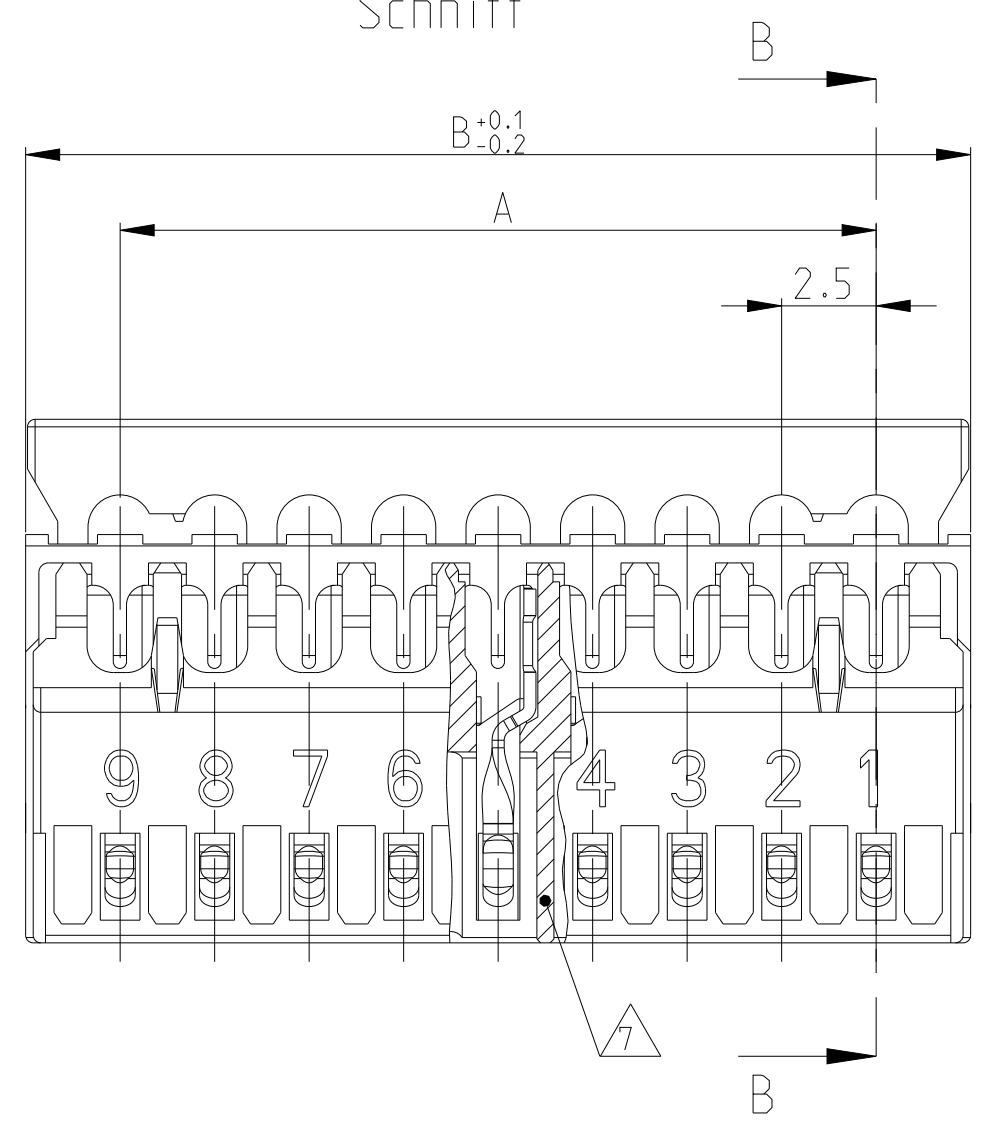


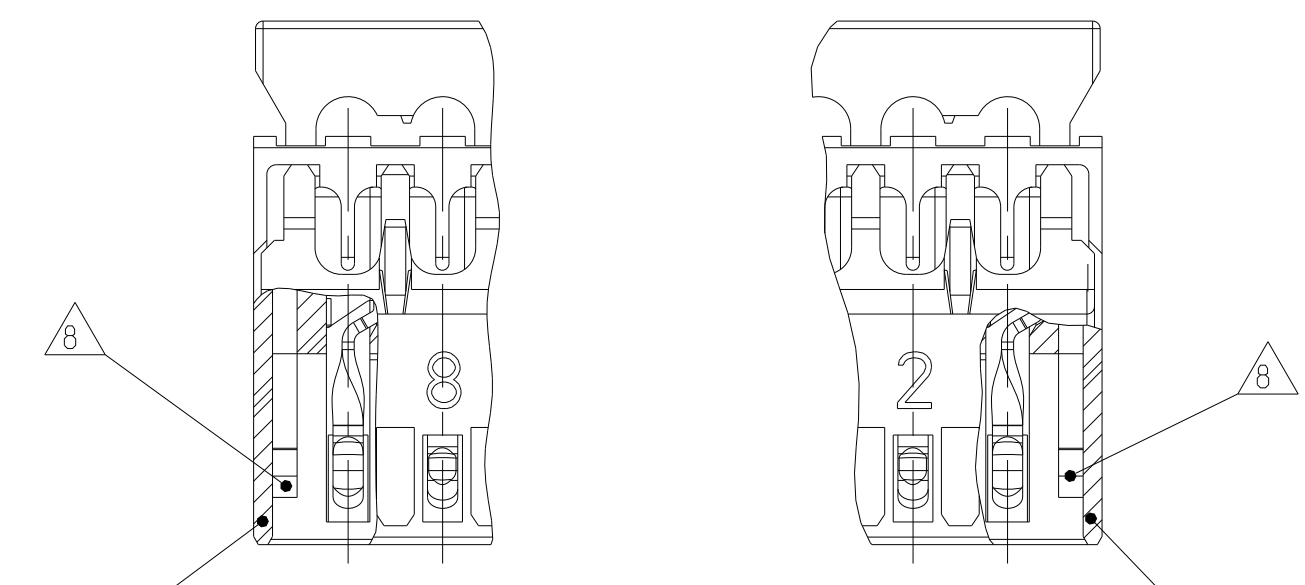
LOC	DIST	REVISIONS			
A1	-	REV	DATE	BY	APPV
B29	ECR-22-155371		14OCT2022	DC	FL
B30	ECR-22-156742		27OCT2022	DC	FL
B31	ECR-23-162860		02FEB2023	TL	FL
B32	ECR-22-154280		10MAR2023	SM	FL



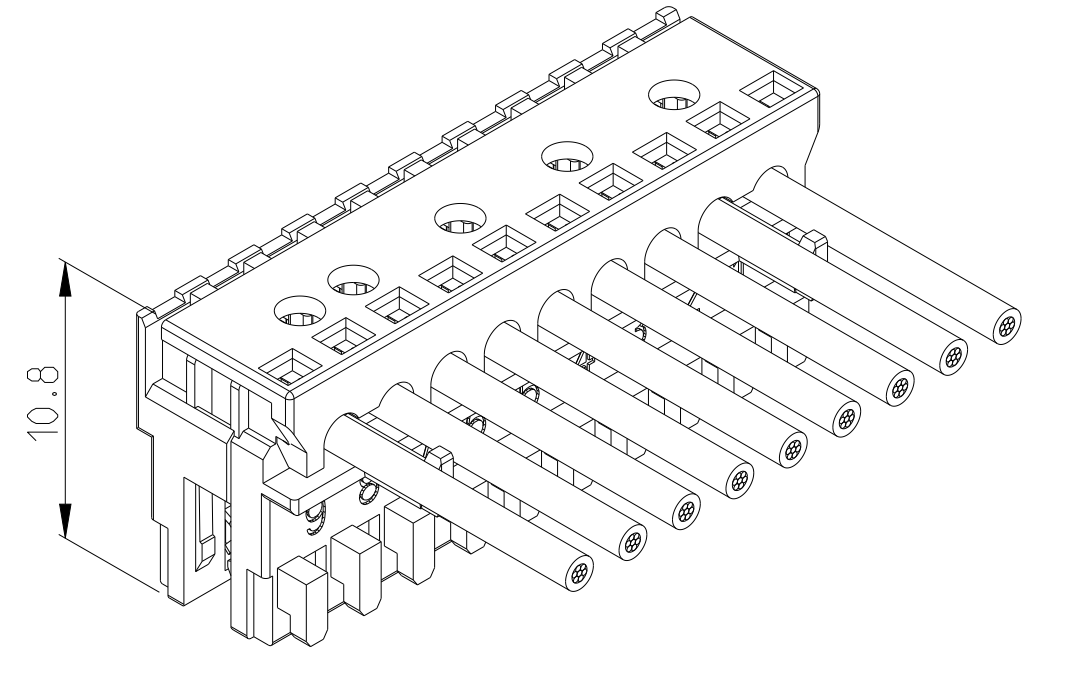
SECTION A-A  
Schnitt



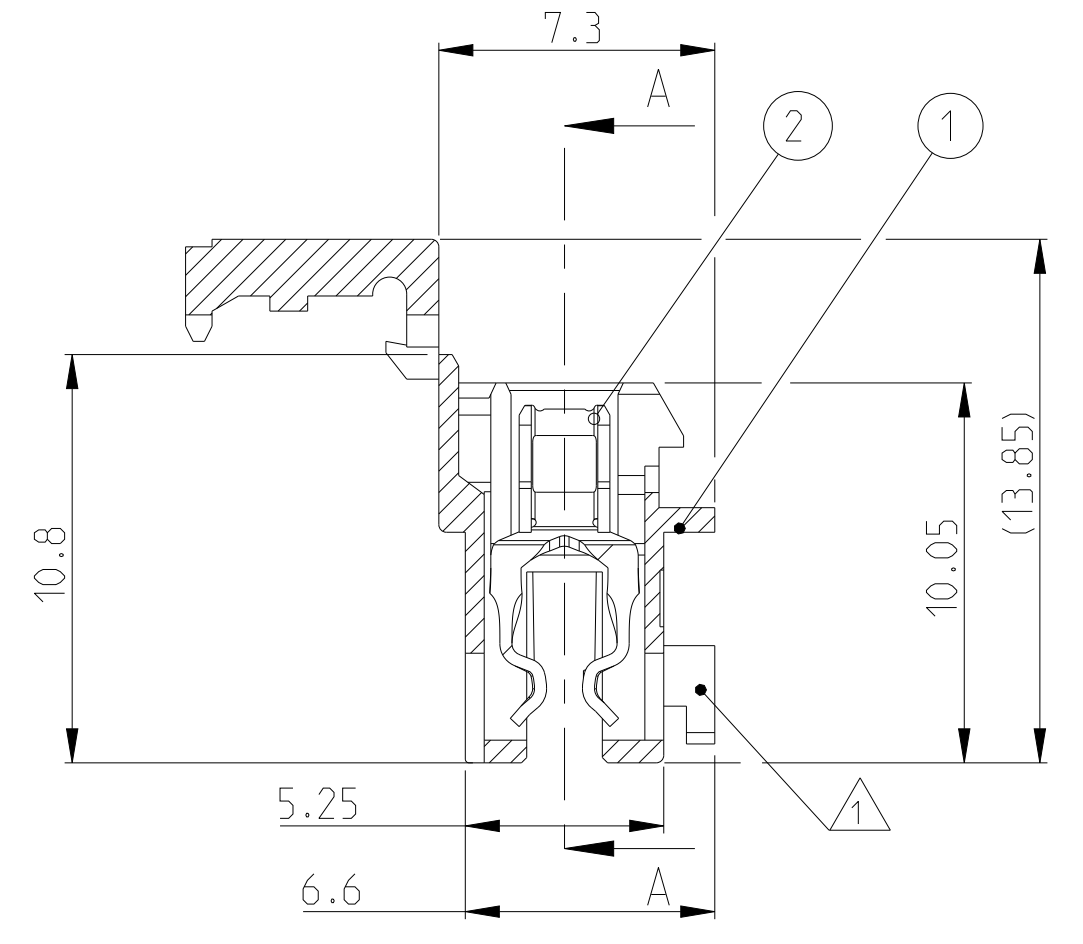
SIDE KEYING  
Seitenkodierung



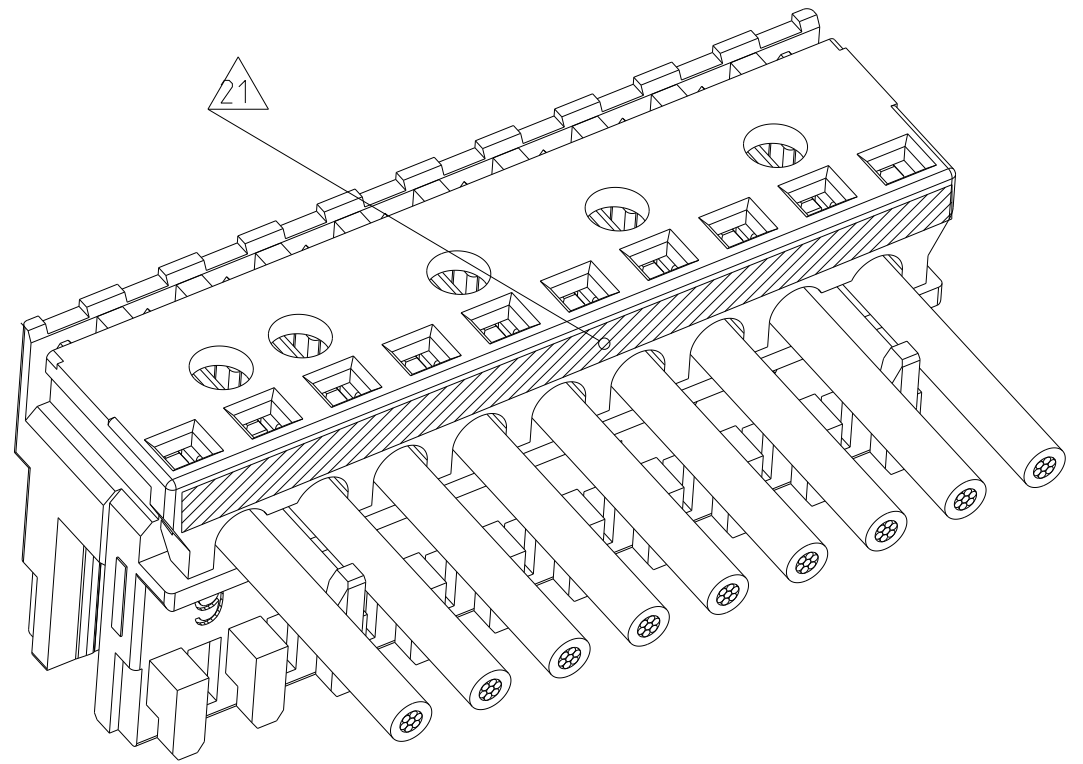
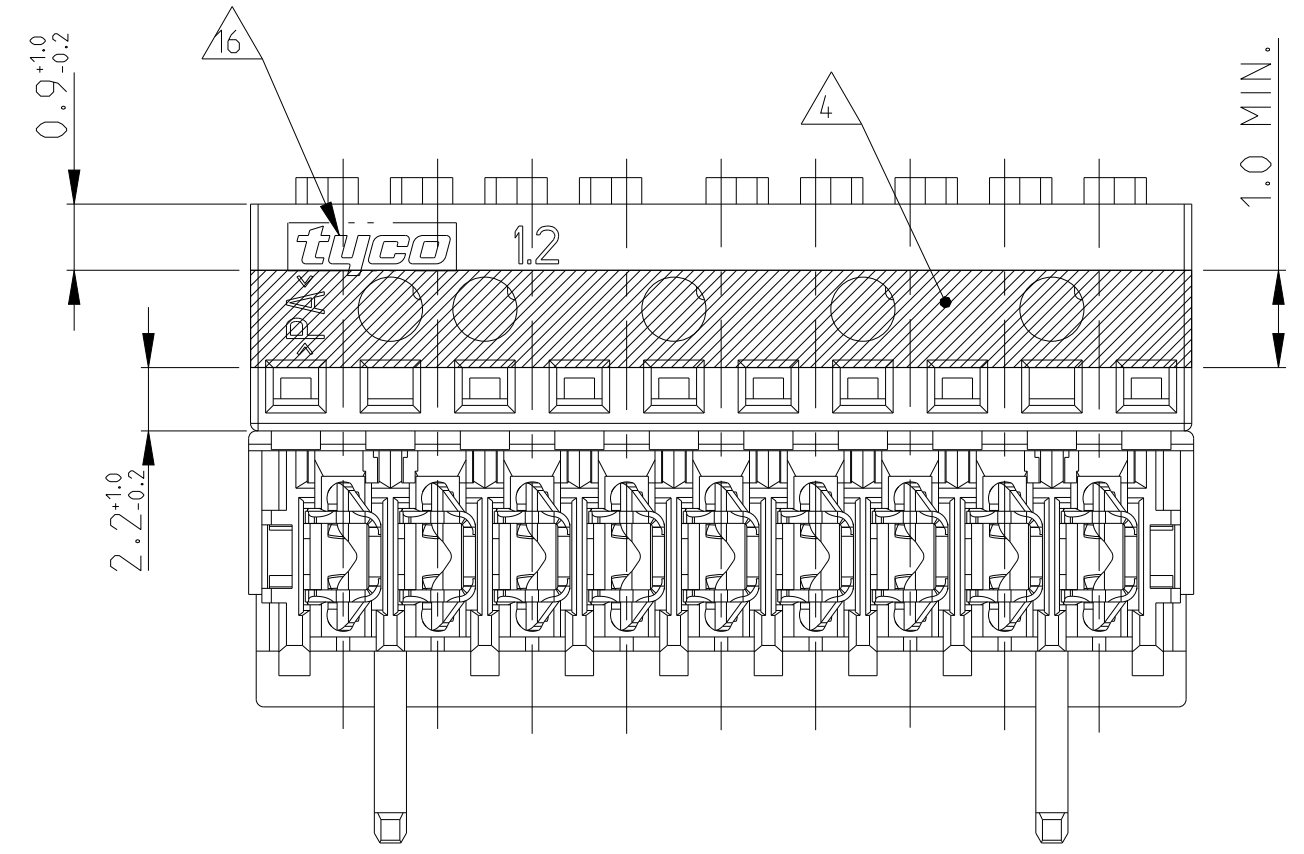
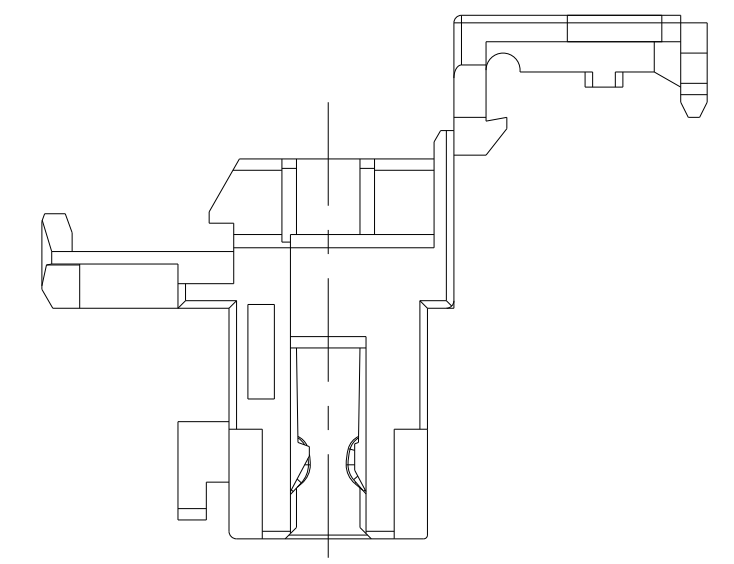
SECTION A-A  
Schnitt



SECTION B-B  
Schnitt



- 22 P/N RELEASED WITH PENDING AGENCY APPROVAL
- 21 STRIPE IN YELLOW COLOR WHERE SHOWN PRESENT ON THE PARTS PRODUCED IN TE COLLEGNO ONLY
- 20 OBSOLETE
- 19 SPECIAL PCB LOCKING SEE SHEET 3
- 18 SPECIAL PCB LOCKING SEE SHEET 3
- 17 PRELIMINARY PART NOT YET RELEASED FOR PRODUCTION
- 16 TE LOGO
- 10-15 SEE SHEET 2  
Siehe Blatt 2
- 9 IEC 60695-2-11 / IEC 60335-1 GLOW WIRE TEST 750 °C WITHOUT FLAME  
IEC 60695-2-11 / IEC 60335-1 Gluehdrahttest 750 °C ohne Flamme
- 8 LOCKING HOOK BEFORE CAVITY NO. 1 AND AFTER LAST CAVITY  
Rasthaken vor Kammernummer Nr. 1 und nach letzter Kammer
- 7 ADDITIONAL KEYING RIB BETWEEN CAVITY NO.  
Zusätzliche Kodierrippe zwischen Kammer Nr.
- 6 SIDE KEYING, ON LAST CAVITY  
Seitenkodierung, bei letzter Kammer
- 5 SIDE KEYING, ON CAVITY NO. 1  
Seitenkodierung, bei Kammer Nr. 1
- 4 COLOR STRIP ON COVER OF HOUSING. NOT THE COLOR OF HOUSING
- 3 MATING PART: PCB ACCORDING TO SHEET 2 OF 2  
Passender Gegenstecker: Leiterplatten siehe Blatt 2 von 2
- 2 WIRE RANGE: 0.22-0.35mm<sup>2</sup>. SEE APPLICATION SPEC. 114-18467  
Drahtgrößenbereich: 0.22-0.35mm<sup>2</sup>, siehe Verarbeitungsspec. 114-18467
- 1 KEYING RIBS; CUTTING WITH TERMINATION MACHINE POSSIBLE  
Kodierrippe; Schneiden auf der Verarbeitungsmaschine möglich



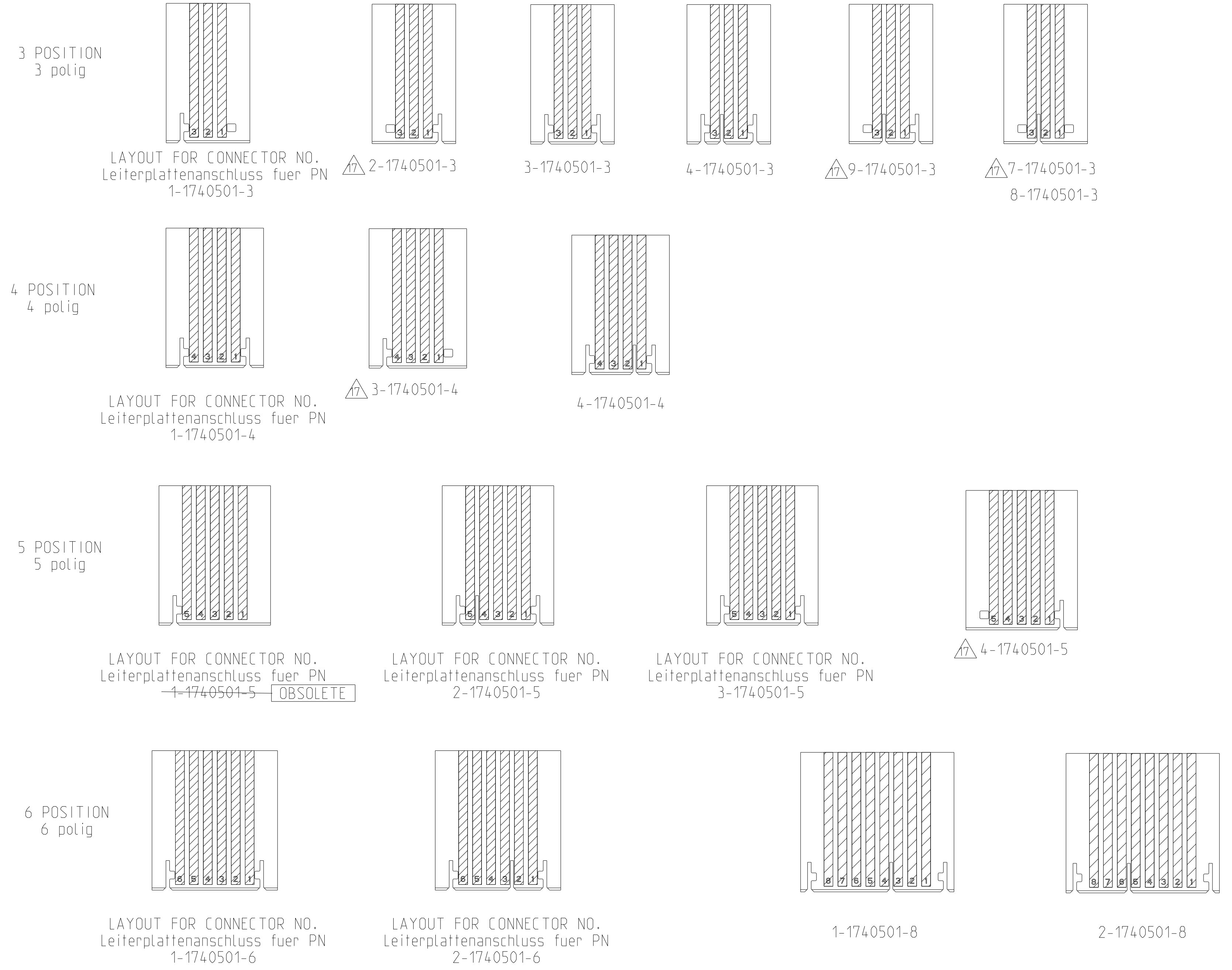
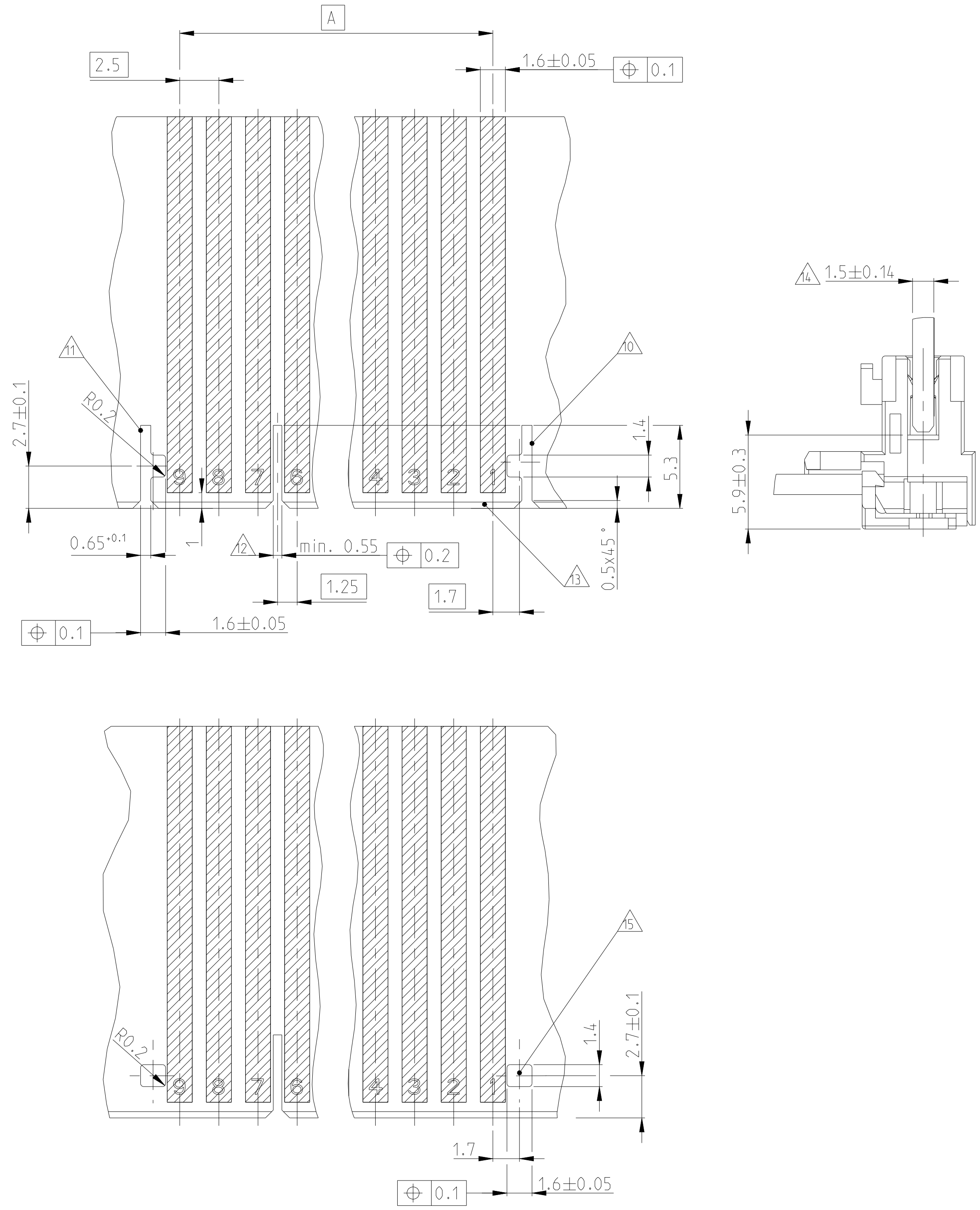
POS.	PN	DESCRIPTION	MATERIAL	COLOUR/FINISH
Polzahl	Bestell-Nr.	Beschreibung		Farbe/Oberflaeche
2	SEE TABLE	CONTACT/Kontakt	CuSn	TINNED/Verzinkt
1	siehe Tabelle	HOUSING/Gehaeuse	PA 6 GF UL94V-2	NATURE/natur

THIS DRAWING IS A CONTROLLED DOCUMENT.		OWN H. Alzmann 27.10.2005	TE Connectivity AMP DUOPLUG 2.5 MKII FEMALE CONNECTOR 3-20 POSITION (WITH PCB LOCKING)
DIMENSIONS:	TOLERANCES UNLESS OTHERWISE SPECIFIED:	CHK B. Schnaubelt 27.10.2005	
mm	0 PLC ±0.2 1 PLC ±0.2 2 PLC ±0.2 3 PLC ±0.2 4 PLC ±0.2 ANGLES ±° FINISH ±µm	APPV T. Klenner 27.10.2005	
MATERIAL SEE TABLE	-	NAME 114-18467	
CUSTOMER DRAWING		SCALE 7:1	RESTRICTED TO SHEET 1 OF 3 REV B32

**PCB LAYOUT IN GENERAL**  
**Leiterplattenanschluss allgemein**

**3-20 POSITION**  
**3-20 polig**



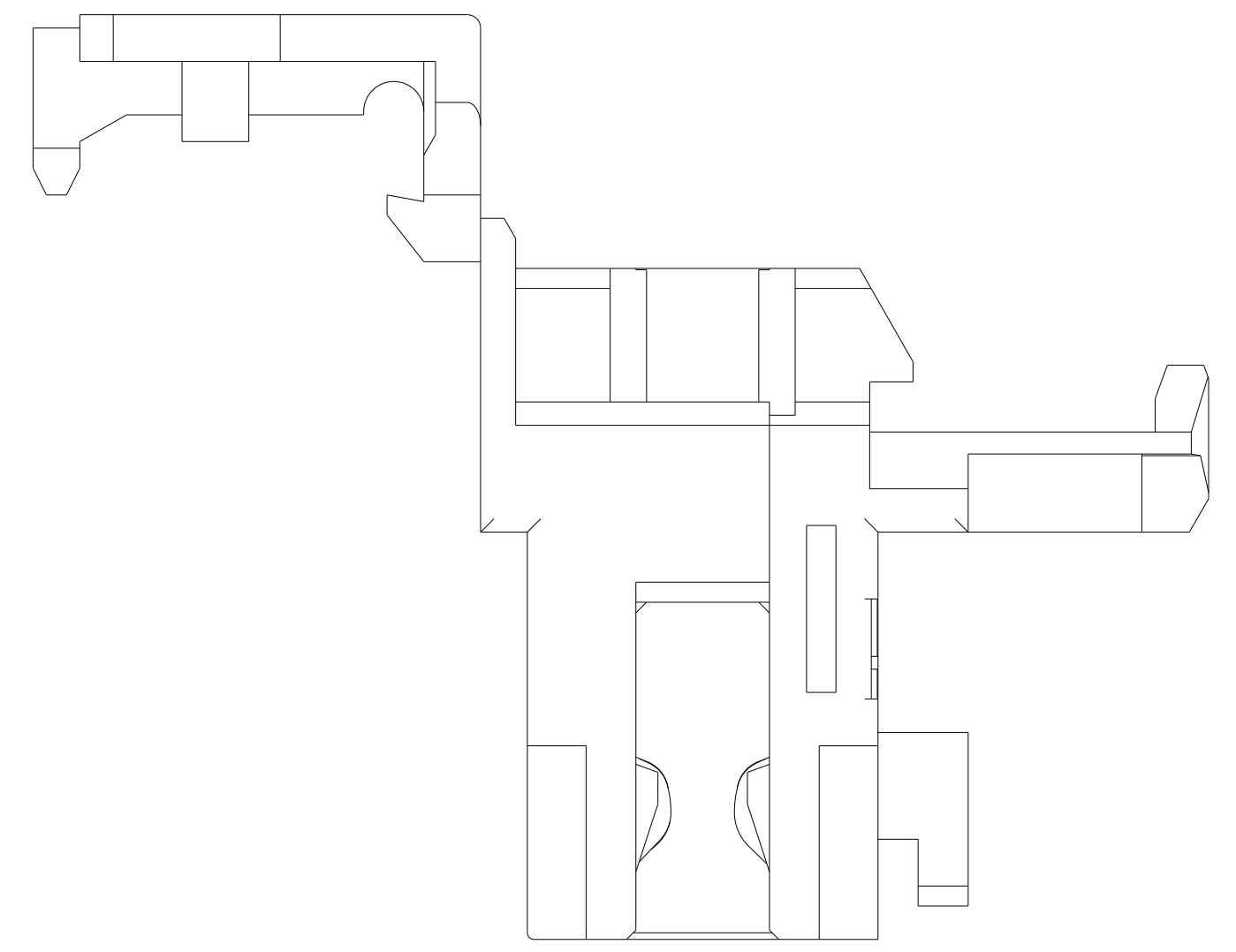
- △ 12 WINDOW FOR LOCKING HOOK  
Fenster fuer Rasthaken
- △ 14 INCLUSIVE COPPER CLADDING, SINGLE OR DOUBLE SIDED  
Inklusive Kupferkaschierung, ein oder doppelseitig
- △ 13 PCB TO BE PREFERABLY CHAMFERED  
Leiterplatte vorzugsweise angefast
- △ 12 SLOT FOR ADDITIONAL KEYING RIB BETWEEN CAVITY NO.  
Schlitz fuer zusaetzliche Kodierrippe zwischen Kammer Nr.
- △ 11 SLOT FOR SIDE KEYING, ON LAST CAVITY  
Schlitz fuer Seitenkodierung, bei letzter Kammer
- △ 10 SLOT FOR SIDE KEYING, ON CAVITY NO. 1  
Schlitz fuer Seitenkodierung, bei Kammer Nr. 1
- △ 9 - △ 8 SEE SHEET 1  
Siehe Blatt 1

LOC	DIST	REVISIONS			
P	LTN	DESCRIPTION	DATE	OWN	APVD
-	-	SEE SHEET 1	-	-	-

THIS DRAWING IS A CONTROLLED DOCUMENT.		OWN H. Alzmann	27.10.2005	<b>STE</b> TE Connectivity
DIMENSIONS:		CHK B. Schnaubelt	27.10.2005	
TOLERANCES UNLESS OTHERWISE SPECIFIED:		APVD T. Klenner	27.10.2005	
mm		PRODUCT SPEC		
MATERIAL		108-18785	APPLICATION SPEC	NAME AMP DUOPLUG 2.5 MKII FEMALE CONNECTOR 3-20 POSITION (WITH PCB LOCKING)
SEE TABLE		114-18467	WEIGHT	SIZE A1
		CUSTOMER DRAWING	SCALE	CAGE CODE 00779
			7:1	DRAWING NO. 1740501
				RESTRICTED TO
				SHEET 2 OF 3
				REV B32

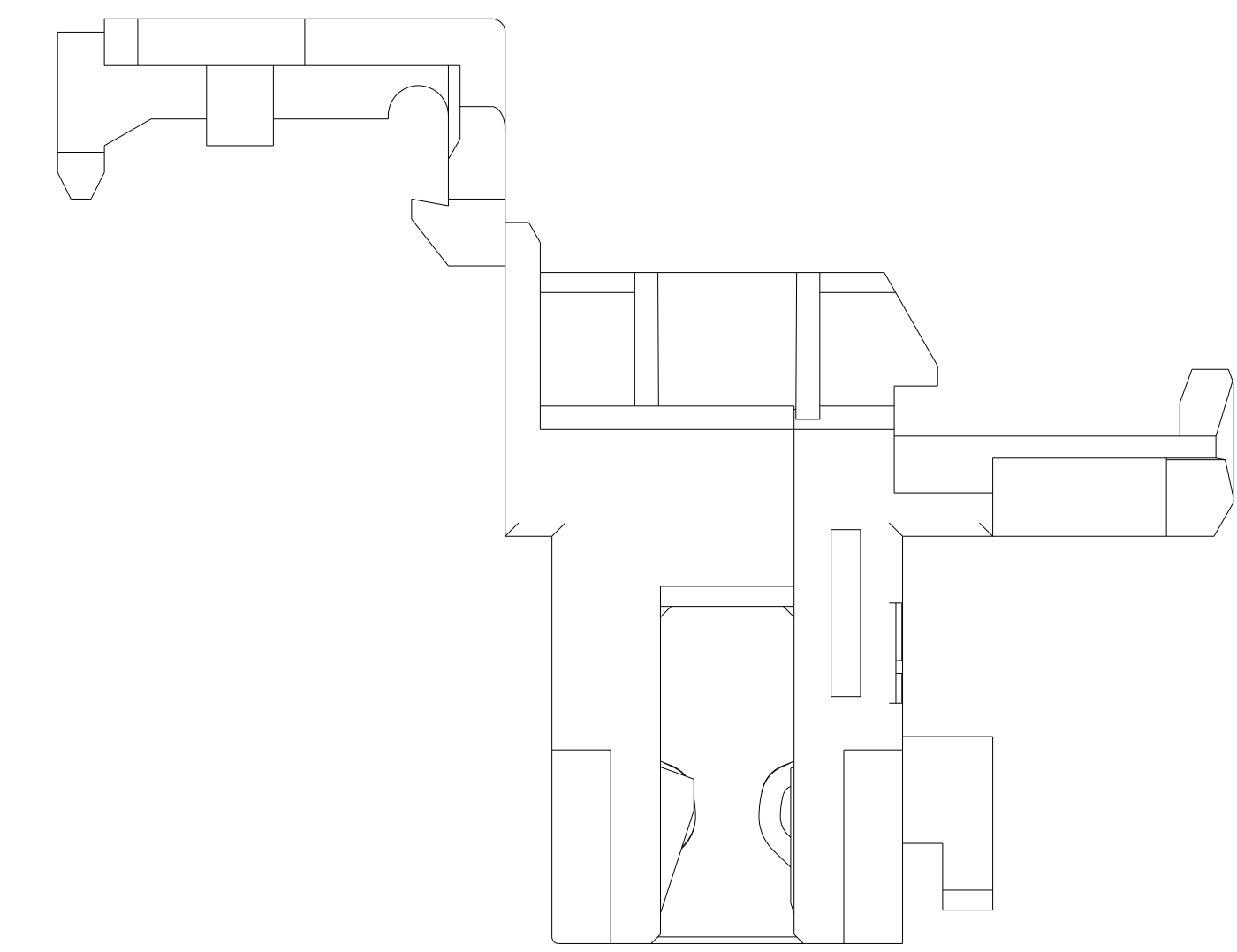
LOC	DIST	REVISIONS			
P	LTN	DESCRIPTION	DATE	DNW	APVD
-	-	SEE SHEET 1	-	-	-

18 SPECIAL PCB LOCKING VERSION



10:1

19 SPECIAL PCB LOCKING VERSION



10:1

PA GF, GWEPT 750 °C NO FLAME & UL94-V2, TIN PLATED VERSION

Color Code	POS. Polzahl	DIM "A"	DIM "B"	7	6	5	19	18	8	PN Bestell-Nr.
Color Code	POS. Polzahl	DIM "A"	DIM "B"	KEYING	KEYING	KEYING	LOCKING HOOK	LOCKING HOOK	LOCKING HOOK	PN Bestell-Nr.
	20	47.5	52.4							
	19	45	49.9							
	18	42.5	47.4							
	17	40	44.9							
	16	37.5	42.4							
	15	35	39.9							
	14	32.5	37.4							
	13	30	34.9							
	12	27.5	32.4							
	11	25	29.9							
	10	22.5	27.4	2/3					X	1-1740501-0
	9	20	24.9							
	8	17.5	22.4	5/6	X	X			X	2-1740501-8
				3/4	X	X			X	1-1740501-8
				2/3	X	X				1740501-8
	7	15	19.9	5/6	X	X			X	1740501-7
	6	12.5	17.4	2/3	X	X			X	2-1740501-6
	6	12.5	17.4	-	X	X			X	1-1740501-6
	5	10	14.9	-	-	X			X	4-1740501-5
	5	10	14.9	-	X	X			X	3-1740501-5
	5	10	14.9	4/5	X	X			X	2-1740501-5
	5	10	14.9	-	X	-			X	4-1740501-5
	4	7.5	12.4	1/2	X	X			X	4-1740501-4
	4	7.5	12.4	-	X	-			X	3-1740501-4
	4	7.5	12.4	3/4	X	X			X	2-1740501-4
	4	7.5	12.4	-	X	X			X	1-1740501-4
	3	5.0	9.9	2/3	-	-			X	8-1740501-3
	3	5.0	9.9	2/3	-	-	X		-	7-1740501-3
	3	5.0	9.9	2/3	-	X			X	9-1740501-3
	3	5.0	9.9	1/2	X	X			X	6-1740501-3
Green	3	5.0	9.9	1/2	-	-			X	5-1740501-3
	3	5.0	9.9	2/3	X	X			X	4-1740501-3
	3	5.0	9.9	-	X	X			X	3-1740501-3
	3	5.0	9.9	-	-	X			X	2-1740501-3
Red	3	5.0	9.9	-	X	-			X	1740501-3
Green	3	5.0	9.9	-	X	-			X	1-1740501-3
	2	2.5	7.4	-	-	X			X	1740501-2

PA GF, GWEPT 750 °C NO FLAME & UL94-V0, TIN PLATED VERSION

Color Code	POS. Polzahl	DIM "A"	DIM "B"	7	6	5	19	18	8	PN Bestell-Nr.
Color Code	POS. Polzahl	DIM "A"	DIM "B"	KEYING	KEYING	KEYING	LOCKING HOOK	LOCKING HOOK	LOCKING HOOK	PN Bestell-Nr.
	10	22.5	27.4	2/3	X	X			X	1-2421983-0
	8	17.5	17.5	5/6	X	X			X	2-2421983-8
	7	15	19.9	6/7	X	X			X	2421983-7
	5	10	14.9	2/3	X	X			X	3-2421983-5

THIS DRAWING IS A CONTROLLED DOCUMENT. **TE Connectivity**

DIMENSIONS: mm	TOLERANCES UNLESS OTHERWISE SPECIFIED:	0 PLC ±0.2	1 PLC ±0.2	2 PLC ±0.2	3 PLC ±0.2	4 PLC ±0.2	ANGLES ±1°	FINISH	116-18467	WEIGHT	116-18467	SCALE	5:1	SHEET	3 of 3	REV	B32
MATERIAL: SEE TABLE																	

NAME: AMP DUOPLUG 2.5 MKII FEMALE CONNECTOR 3-20 POSITION (WITH PCB LOCKING)  
 SIZE: A1 CAGE CODE: 00779 DRAWING NO: 1740501  
 CUSTOMER DRAWING