

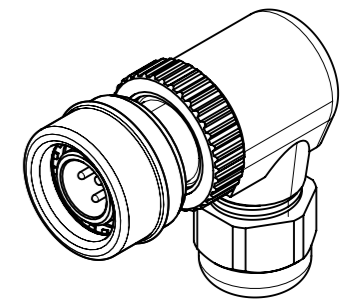
NOTES :

VOLTAGE RATING : 4POLE - 250V AC/DC
5POLE - 30V AC / 36V DC

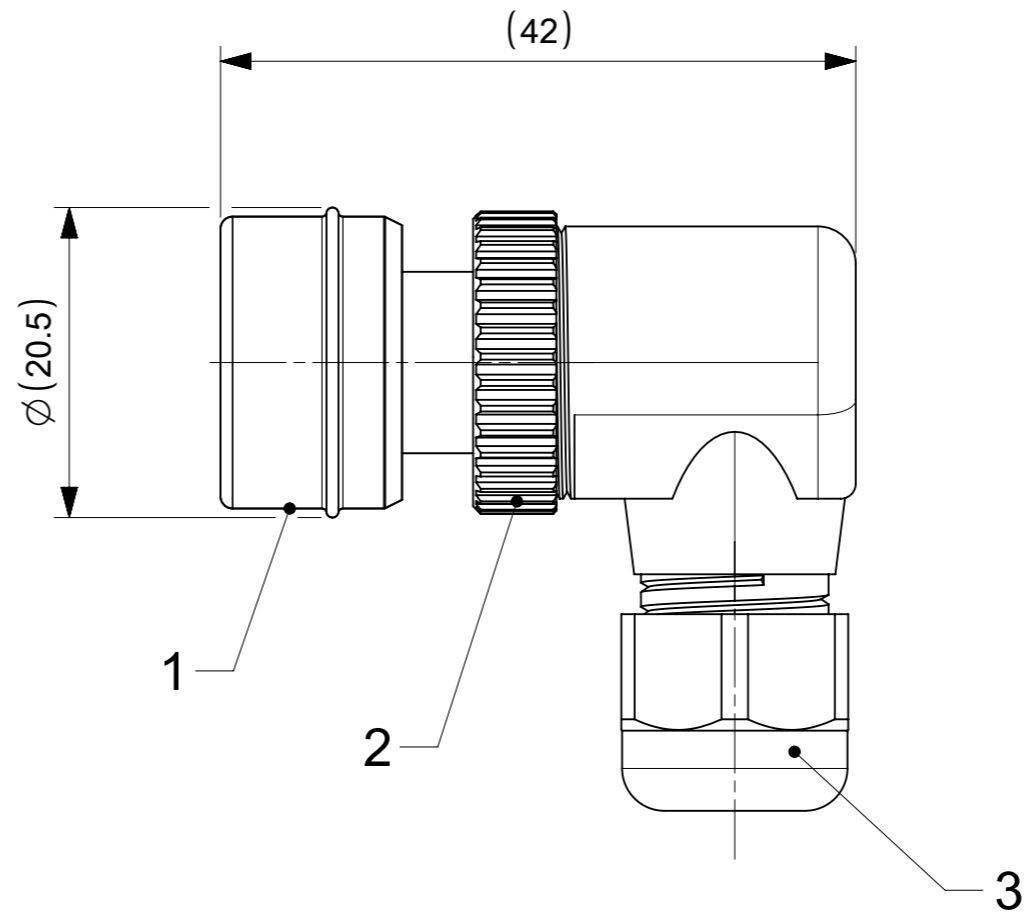
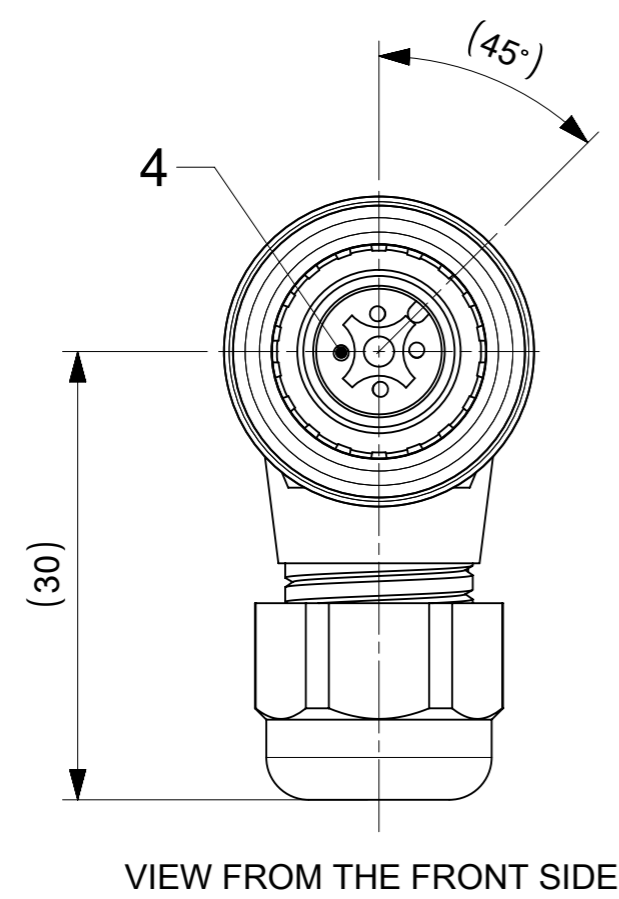
CURRENT RATING : 4AMPS

IP RATING : IP67/68/69K

OPERATING TEMPERATURE : -25°C TO +90°C



SCALE 1:1



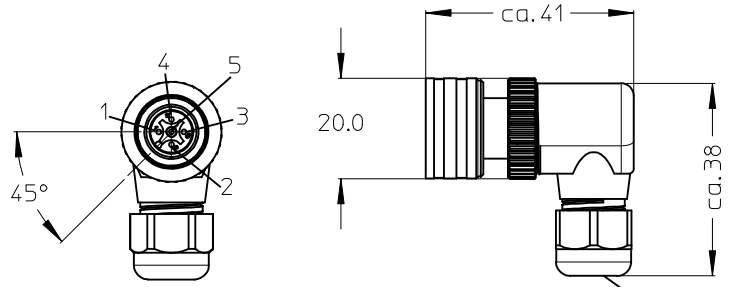
BOM

ITEM	QTY.	DESCRIPTION	MATERIAL	COLOR/FINISH
1	1	ULTRALOCK ASSEMBLY 4P/5P	-	-
2	1	M12 PG7 90° ENDSLEEVE	PA	BLACK
3	1	M12 PG7 NUT	PA	BLACK
4	4/5	MALE CONTACT	BRASS	Ni-PLATED

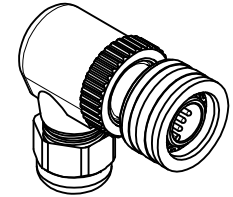
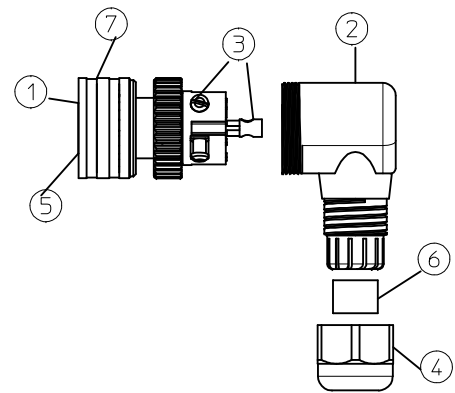
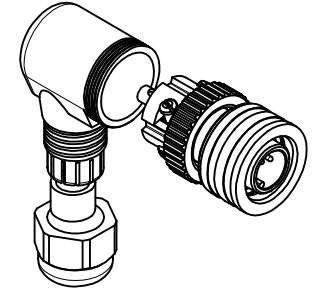
PART LIST

MOLEX P/N	ENG No.	POLES
1200850007	WA4007-31	4
1200850008	WA5007-31	5

FUNCTIONAL SYMBOLS $\nabla_A = 0$ $\nabla_E = 0$ $\nabla_V = 0$	THIS DRAWING CONTAINS INFORMATION THAT IS PROPRIETARY TO MOLEX ELECTRONIC TECHNOLOGIES, LLC AND SHOULD NOT BE USED WITHOUT WRITTEN PERMISSION	SCALE 2:1	CURRENT REV DESC:		
	DIMENSION UNITS mm	GENERAL TOLERANCES (UNLESS SPECIFIED)	EC NO: 703182	2022/03/09	
	ANGULAR TOL ± 1.0°	4 PLACES ±	DRWN: SSM	2022/04/14	
	DIVISIONAL SYMBOLS	3 PLACES ±	CHK'D: RSILLER	2022/04/14	
	2 PLACES ± 0.05	APPR: RSILLER	INITIAL REVISION:		
	1 PLACE ± 0.1		DRWN: SSM	2022/03/09	DOCUMENT NUMBER
	0 PLACES ± 0.5		APPR: RSILLER	2022/04/14	1200850007
DRAFT WHERE APPLICABLE MUST REMAIN WITHIN DIMENSIONS		THIRD ANGLE PROJECTION	DRAWING	SERIES	MATERIAL NUMBER
			A3-SIZE	120085	SEE PART LIST
				CUSTOMER	GENERAL MARKET
				DOC TYPE	PSD
				DOC PART	000
				REVISION	A
				SHEET NUMBER	1 OF 1



CABLE RANGE PG7
 Ø2,5 - Ø6,5mm



POL	MATERIAL NO.	ENGINEERING NO.
4	1200850007	WA4007-31
5	1200850008	WA5007-31

ITEM	COMPONENT	MATERIAL	FINISH
1	INSERT	PA	BLACK
2	HOUSING	PA	BLACK
3	CONTACT	BRASS / GOLD	CuZn Ni/ Au
4	PG NUT	PA	BLACK
5	O-RING	VITON	RED
6	GROMMET	CR	BLACK
7	ULTRA-LOCK	BRASS /ST.STEEL	NICKEL PLATED

VOLTAGE RATING: 4 POLE: 250 VAC/VDC
 5 POLE: 30 VAC/36 VDC

AMPERAGE RATING: 4A

PROTECTION CLASS: IP 67/68/69K

OPERATING TEMPERATURE: -25°C / 90°C

UL CERTIFICATION: FILE NO. E152210

CSA CERTIFICATIONS: FILE NO. LR6837

ENTER DESCRIPTION	2013/06/28
EC NO: IPG2013-2053	2013/06/28
DRWN:BBRAUCH	2013/06/28
CHKD:	
APPR:CBURGER	2013/06/28
REV	DESCRIPTION

QUALITY SYMBOLS	▽=0
	◻=0

	GENERAL TOLERANCES (UNLESS SPECIFIED)	
	mm	INCH
4 PLACES	± ---	± ---
3 PLACES	± ---	± ---
2 PLACES	± 0.05	± ---
1 PLACE	± 0.1	± ---
0 PLACE	± ---	± ---
ANGULAR ± ---°		
DRAFT WHERE APPLICABLE MUST REMAIN WITHIN DIMENSIONS		

DIMENSION STYLE		SCALE	DESIGN UNITS
MM ONLY		1:1	METRIC
DRAWN BY	DATE	TITLE	
NSTAUDIGEL	2010/02/02	FA U12 XP AC MA RA	
CHECKED BY	DATE	PG7 BK BRA	
APPROVED BY	DATE	molex	
FPACHER	2010/02/05		
MATERIAL NO.	DOCUMENT NO.	SD-120085-003	

THIRD ANGLE PROJECTION	
SHEET NO. 1 OF 1	
THIS DRAWING CONTAINS INFORMATION THAT IS PROPRIETARY TO MOLEX INCORPORATED AND SHOULD NOT BE USED WITHOUT WRITTEN PERMISSION	